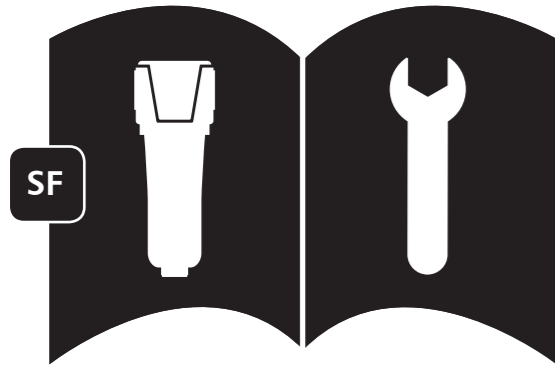


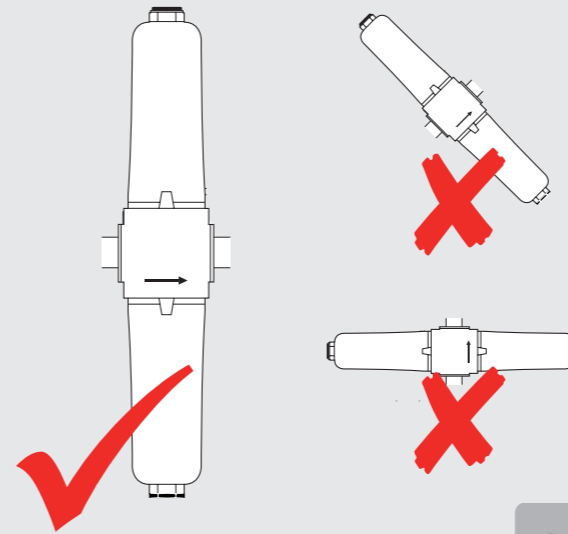
nano



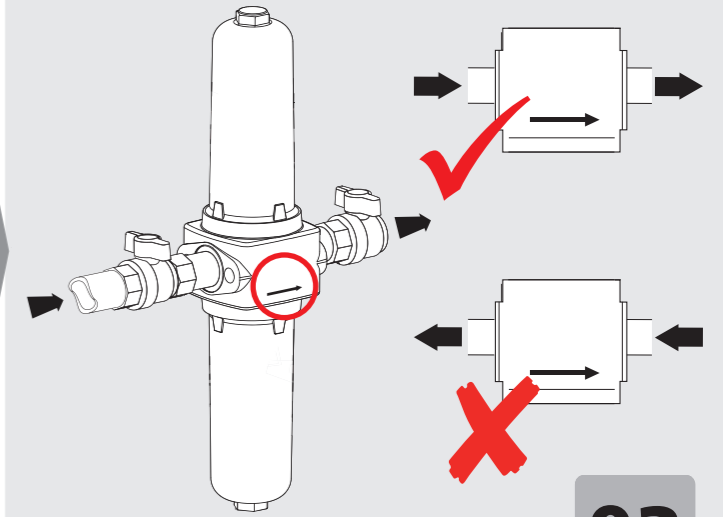
04 1469 001 01 Rc
www.n-psi.com
www.n-psi.co.uk



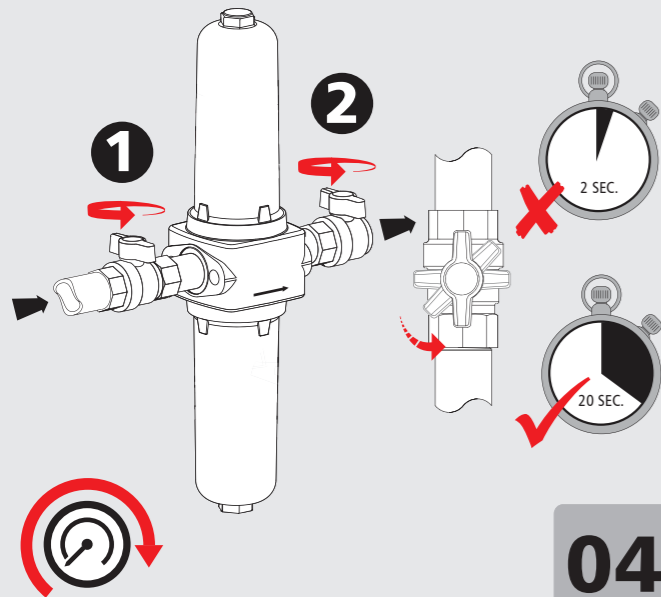
01
WARNING: This product can expose you to chemicals including lead, which is known to the State of California to cause cancer and/or birth defects or other reproductive harm. For more information, go to www.P65Warnings.ca.gov.



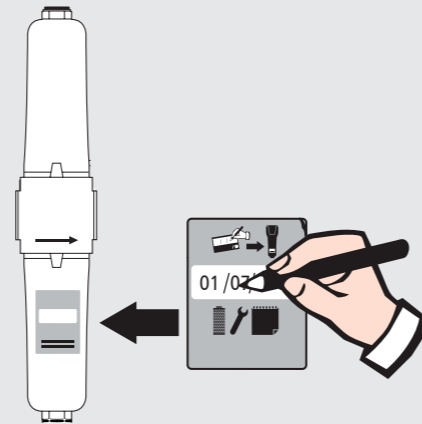
02



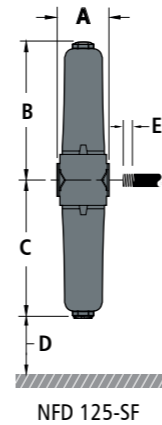
03



04



05



NFD 125-SF

Max. 232 PSIG (16 BARG)

Max. 122°F (50°C)
 Min. 32°F (0°C)

Operating Pressure psig (barg)	58 (4)	72 (5)	87 (6)	100 (7)	115 (8)	145 (10)	174 (12)	203 (14)	232 (16)
Correction Factor	0.76	0.84	0.92	1.00	1.07	1.19	1.31	1.41	1.51

EC Declaration of Conformity (2014/68/EU)
 Product Description: Aluminium Filter Housings

PED Category / Conformity Assessment Route(Inches)			
Filter Model	CAT SEP	CAT I / Module A	CAT II / Module D1
NFD 125-SF	✓		COV0310124/1

EC Declaration of Conformity (2014/68/EU)

This declaration of conformity is issued under the sole responsibility of the manufacturer, I declare on behalf of the manufacturer, and as authorised representative, that the stated products fulfil the requirements of Category IV Module B+D (B:COV1311318, D:COV131135/3) of the Pressure Equipment Directive 2014/68/EU.

Name: Michael Eccles
 Position: Technical Director

Signed: Date: September 2017

Manufactured in the UK by nano-purification solutions Ltd
www.n-psi.co.uk

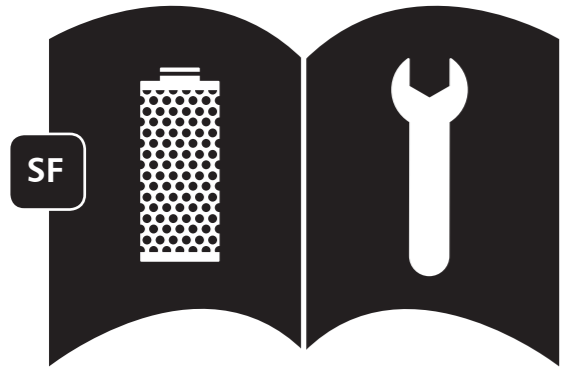
Notified body (Not applicable to SEP or Cat I Products)
 Lloyd's Register Verification Ltd– Notified Body No 0038
 71 Fenchurch Street, London EC3M 4BS. England

Quality Assurance System: ISO9001 – LRQ4005450
 Lloyds Register Quality Assurance Ltd (LRQA)
 1 Trinity Park, Bickenhill Lane, Birmingham, B37 7ES, United Kingdom

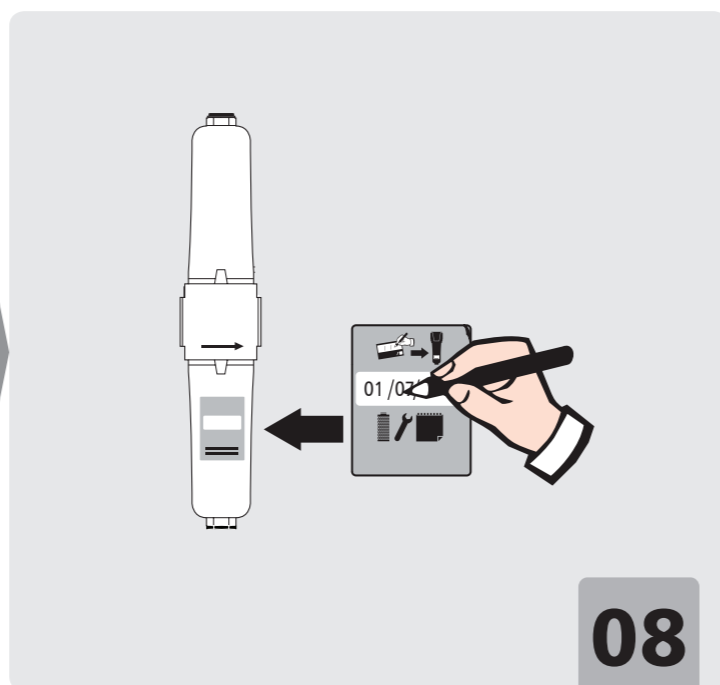
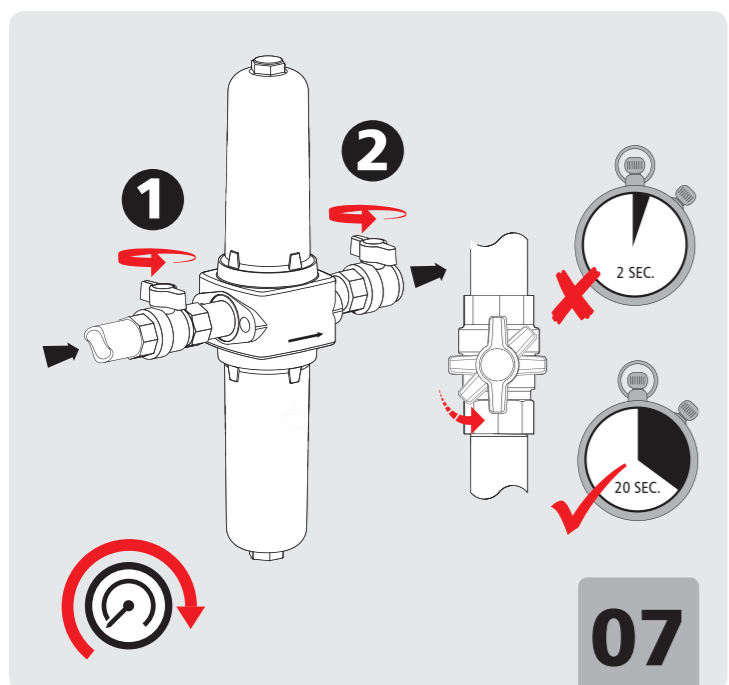
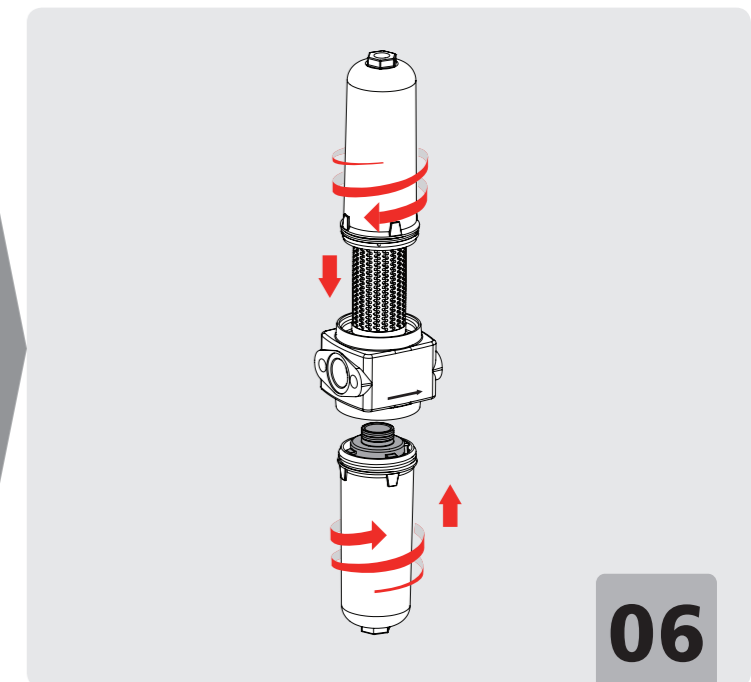
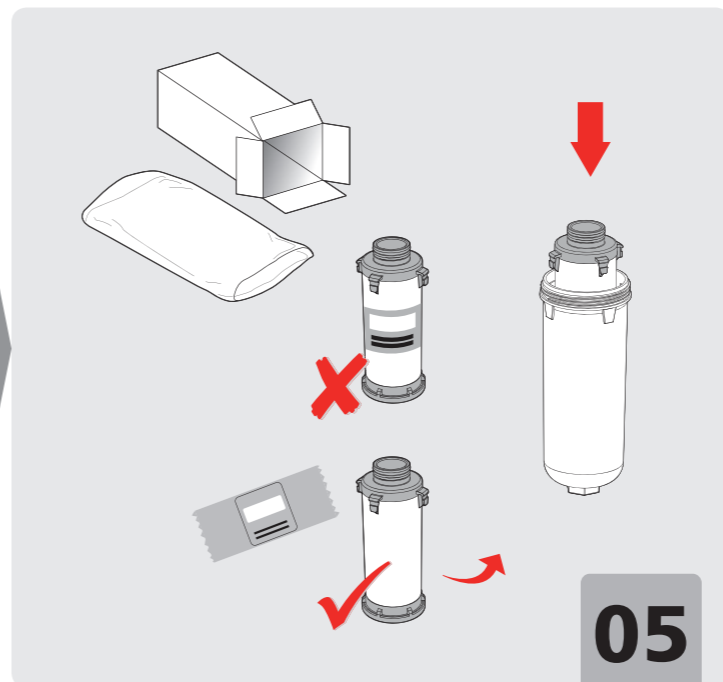
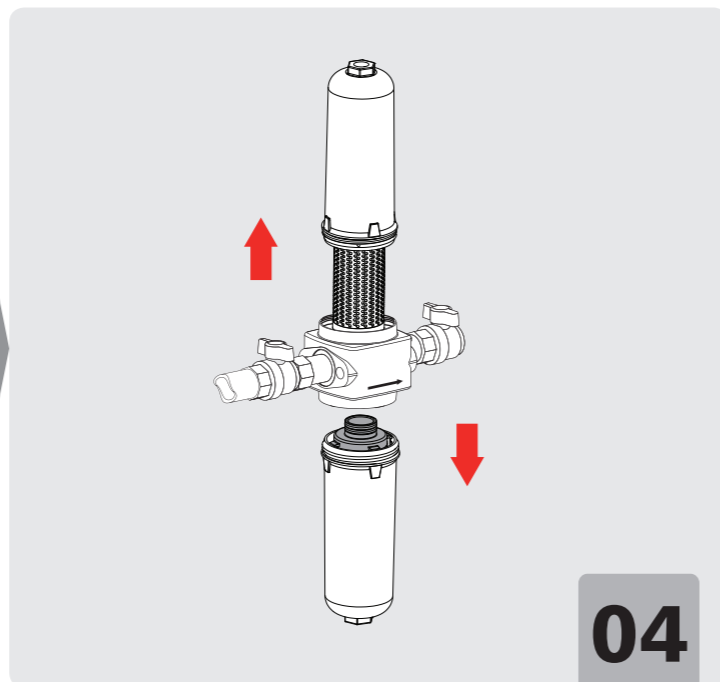
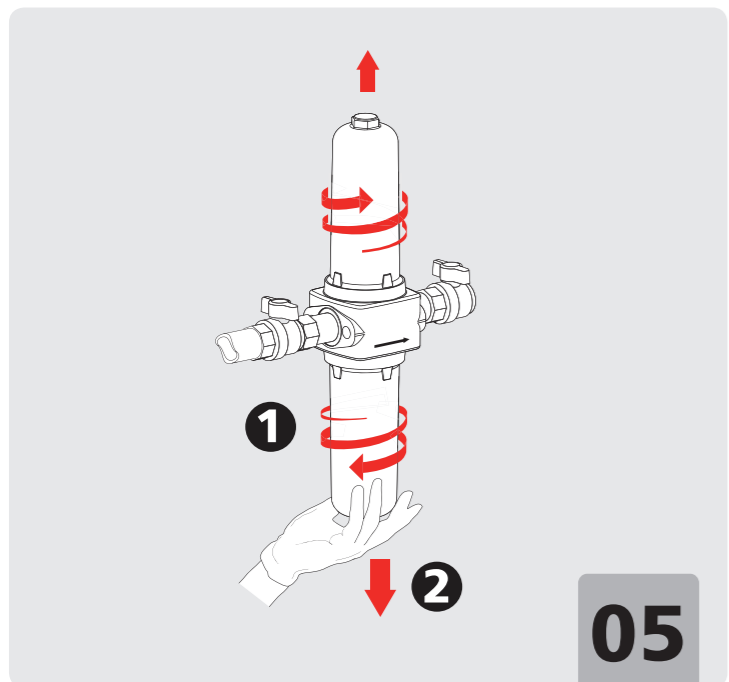
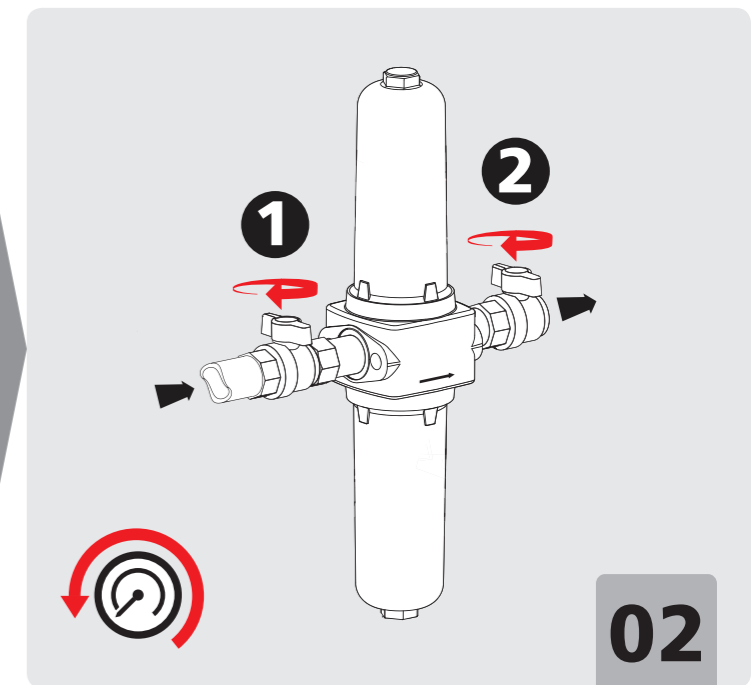
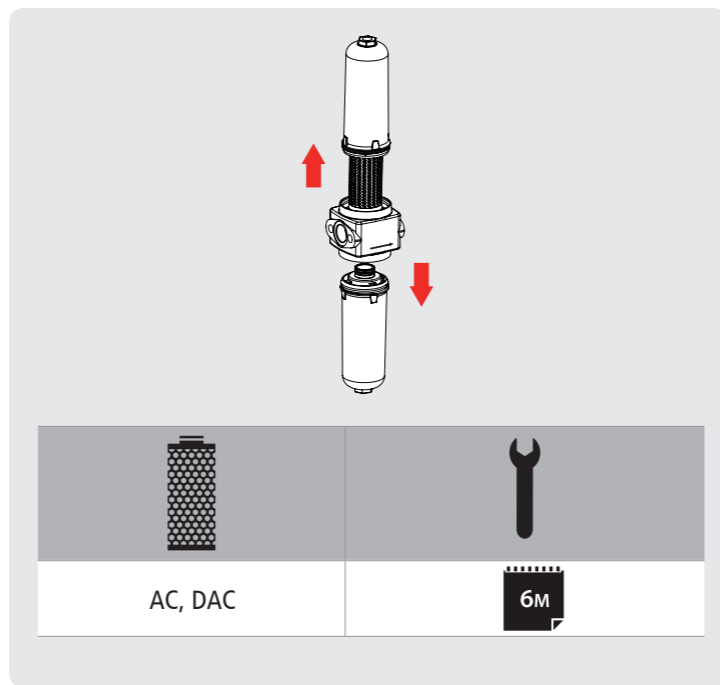
Filter model*	Pipe size	Flow rate		Dimensions inches (mm)					Weight lbs (Kg)	Element model
		SCFM	Nm ³ /hr	A	B	C	D	E (Max Thread)		
NFD 125-SF	3/4	125	212	3.94 (100)	14.17 (360)	14.02 (356)	3.00 (76)	0.59 (15)	6.8 (3.1)	NE0620XA-SF / NE0625AV-SF

Assessment based on Group 2 Gas service
 Standards Used: ASME VIII Division 1 - Rules for Construction of Pressure Vessels
CRN Approved - CRNOE15281.5C
 Products supplied with NPT threaded connections as standard is not PED 2014/68/EU compliant

nano



04 1469 001 01 Rc
www.n-psi.com
www.n-psi.co.uk



Certificate of Conformity

The Manufacturer certifies that the element(s) supplied with this declaration, when tested at rated flow in accordance with the established protocols in the ISO 12500 series of standards, meet the following ISO 8573-1 specifications.

Filter Model	Particle quality class ISO 8573:1-2010	Oil quality class ISO 8573:1-2010
Grade DAC	Class 1	Class 1

The table above is for general guidance only. Depending upon application air quality and contamination, a combination of filter grades may be necessary to meet the required quality class. AC filters should be preceded by suitable coalescing filters. Please contact us for further information.

Manufactured in the UK, in an ISO9001 accredited facility.