

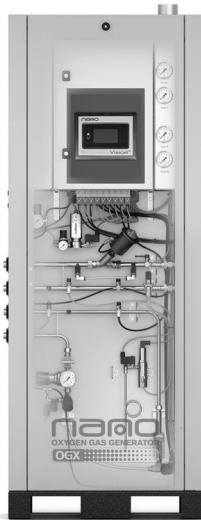
On-Site Oxygen Gas Generators

Features

- OGX Oxygen Gas Generators are designed to produce high-purity oxygen in the 90-95% oxygen concentration range using pressure swing adsorption technology.
- Customizable and adjustable to specific oxygen purity and flow rate requirements.
- With low operational and maintenance costs, coupled with a long lifespan and durability, OGX Oxygen Gas Generators are a cost-effective solution over the long term.
- Incorporates energy-saving technologies to optimize the oxygen production process during variable demand.
- Eliminates the need for transportation and storage of oxygen cylinders, reducing logistical complexities and safety risks associated with handling high-pressure gas cylinders.
- OGX Oxygen Gas Generators are environmentally friendly, as they significantly reduce carbon emissions associated with the transportation and production of oxygen from other sources, making them a sustainable choice.
- Compact footprint makes them suitable for various installations, including medical/veterinary facilities, industrial settings, and laboratories.



Complete Scope of Supply



The OGX include a zirconium O₂ purity sensor, flow meter and pressure regulator as standard.

User-Friendly Interface



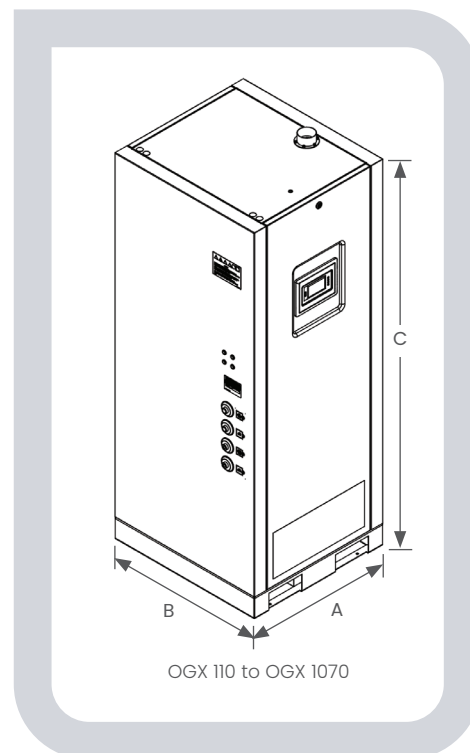
The nano Vision^{O1} allows for easy operation, monitoring, and adjustment of system parameters. Allowing for users to manage and maintain the oxygen generation process effectively.

nano O₂: Oxygen Gas Generators

MODEL	OXYGEN PURITY AT OUTLET (SCFM) ⁽¹⁾			DIMENSIONS (INCHES)			APPROX WEIGHT
	90%	93%	95%	A	B	C	LBS
OGX 110	1.9	1.8	1.5	31	33	79	701
OGX 220	3.9	3.6	3.0	31	33	79	882
OGX 330	5.9	5.5	4.9	56	33	79	1376
OGX 440	7.8	7.4	6.5	56	33	79	1556
OGX 550	9.8	9.2	8.2	56	33	79	1737
OGX 640	11.6	10.7	8.9	56	38	79	2138
OGX 850	15.5	14.2	11.9	56	38	79	2500
OGX 1070	19.3	17.8	14.9	56	38	79	2862

SPECIFICATIONS	STANDARD	OPTIONAL
Design operating pressure range (psig)	65 to 145	-
Design operating temperature range (°F)	41 to 122	14 to 122
Recommended operating temperature range (°F)	41 to 95	-
Maximum inlet particulate (micron)	0.1	-
Maximum inlet dew point (°F PDP)	45	-
Recommended inlet dew point (°F PDP) ⁽²⁾	37.4	-
Maximum inlet oil content (ppm) ⁽³⁾	0.01	-
Supply voltage (Hz)	50 or 60	-

- (1) At 87 psig inlet pressure and 68°F inlet temperature. For outlet flow at all other conditions, contact canadasupport@nano-purification.com.
- (2) -4°F PDP with low inlet temperature option
- (3) Including oil vapor.



Technical specifications subject to change without notice.
 Publication Reference: OGX-CA-EN-Version-000
 ©2024 Air & Gas Solutions LLC



nano
 Experience. Customer. Service.

nano-purification solutions
www.nano-purification.com

Canada
 St. Catharines, Ontario, Canada
 Phone: +1 905 684 6266
 Email: canadasupport@nano-purification.com

United States | Canada | United Kingdom | Germany | Singapore