

water separators

FEATURES

- eliminate corrosion, damage to tools and machinery downtime with efficient bulk water removal
- eliminate 99% of liquids in your compressed air or gas system improving your processes and reducing costly downtime
- 14 models with connections from 1/8" to 4" Flg and rated flows from 6 to 3000 scfm
- perfectly suited for variable speed compressors
- housing manufactured from die cast aluminum and polyester powder coated for optimum corrosion protection for the most demanding applications
- manufactured in an ISO 9001 approved facility and tested in accordance with ISO 12500-4
- applications include electronics, instrumentation, laboratories, automotive, robotics, oil and gas, paint applications and pneumatic conveying



unique vanes

engineered using the latest computational fluid dynamic software to optimize liquid removal efficiency



vortex arrester

ensures that the separated liquid cannot re-enter the air or gas stream greatly improving drainage



nano-purification solutions
Charlotte, North Carolina
United States

nano-purification solutions TN
Maryville, Tennessee
United States

nano-purification solutions Canada
St. Catharines, Ontario
Canada

nano-purification solutions Ltd.
Gateshead, Tyne and Wear
United Kingdom

nano-purification solutions GmbH
Erkelenz, Germany

nano-purification solutions Asia
Singapore

Tel: 704.897.2182
Fax: 704.897.2183
Email: support@n-psi.com
Web: www.n-psi.com

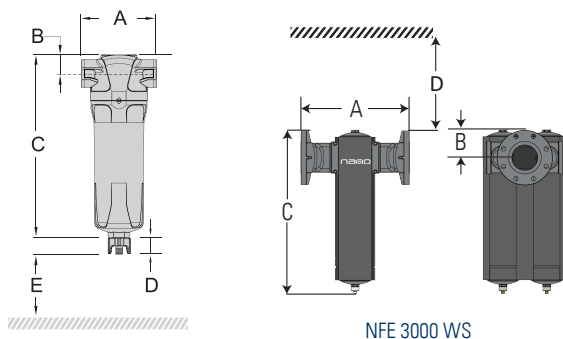
SPECIFICATIONS

separator model	inlet & outlet		rated flow ⁽¹⁾		dimensions (inches)					approx. weight
	NPT/Flg	scfm	Nm ³ /h	A	B	C	D	E	lbs	
GF 0006 WS	1/8"	6	10	1.97	0.67	6.18	1.10	2.36	0.6	
GF 0015 WS	1/4"	15	25	1.97	0.67	6.18	1.10	2.36	0.6	
GF 0025 WS	1/4"	25	42	2.76	0.95	9.09	1.10	2.76	1.3	
GF 0035 WS	3/8"	35	60	2.76	0.95	9.09	1.10	2.76	1.3	
GF 0050 WS	1/2"	50	85	2.76	0.95	9.09	1.10	2.76	1.3	
GF 0070 WS	1/2"	70	119	5.00	1.26	11.22	1.18	3.15	3.7	
GF 0125 WS	3/4"	125	213	5.00	1.26	14.61	1.18	3.15	4.4	
GF 0175 WS	1"	175	298	5.00	1.26	14.61	1.18	3.15	4.4	
GF 0280 WS	1 1/4"	280	476	5.51	1.58	18.70	1.18	3.15	6.6	
GF 0325 WS	1 1/2"	325	553	5.51	1.58	18.70	1.18	3.15	6.6	
GF 0700 WS	2"	700	1190	6.69	2.09	27.87	1.18	3.94	12.1	
GF 0850 WS	2 1/2"	850	1445	8.66	2.76	28.98	1.18	3.94	23.1	
GF 1500 WS	3"	1500	2550	8.66	2.76	39.57	1.18	3.94	27.6	
NFE 3000 WS-ND	4" Flg	3000	5097	18.00	4.57	25.59	11.81	13.50	64.6	

specifications	0006 to 0050 WS	0070 to 1500 WS	NFE 3000 WS-ND
recommended operating temperature range	35 to 176°F	35 to 176°F	35 to 176°F
design operating temperature range	35 to 176°F	35 to 176°F	35 to 176°F
design operating pressure range	0 to 232 psig	22 to 232 psig ⁽²⁾	22 to 232 psig
condensate drain (included) ⁽³⁾	GFDK 0050	GFDK 1500	-

pressure correction factors									
operating pressure (psig)	58	72	87	100	115	145	174	203	232
correction factor	0.76	0.84	0.92	1.00	1.07	1.19	1.31	1.41	1.51

- (1) at 100 psig. For all other pressures, refer to the pressure correction factors above
- (2) for pressures below 22 psig order with an GFDK 0050 condensate drain
- (3) models NF 0006 to 1500 WS are supplied with an automatic float drain. When high liquid loads are anticipated we recommend installing a high capacity external condensate drain. Contact support@n-psi.com for available options
- (4) technical specifications subject to change without notice. Direct inquiries to support@n-psi.com or contact 704.897.2182



GF 0006 WS to GF 1500 WS

NFE 3000 WS