

Medical Sterile Filters

Features

- Designed to eliminate solid, liquid and bacterial contamination from medical vacuum systems.
- Meets ISO 7396-1, HTM 02-01 and 2018 revision of NFPA (5.1.3.7.4).
- Housing manufactured from cast aluminium alloy providing enhanced strength and feature an E-Coat™ finish for optimum internal and external corrosion protection.
- Optimised seal ensure zero leakage and ease of bowl removal during element replacement.
- Easy to service, unique push fit elements ensure quick and simple maintenance.
- Designed in accordance with ASME pressure vessels.
- 10 year housing warranty
- Applications include dental, medical and veterinary flushing.



Designed for Autoclave Sterilisation



Guaranteed for a minimum of 100 sterilisations at 248°C; stainless steel endcaps for compatibility with autoclave sterilisation.

Peace of Mind



"Dead Stop" bowl feature provides full closure without over tightening.

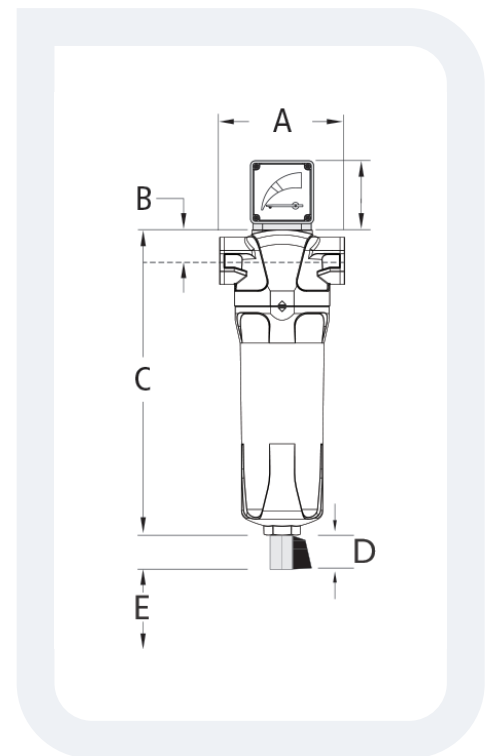
nano F^{1.1}: Medical Sterile Filters

MODEL	INLET & OUTLET	RATED FLOW ⁽¹⁾	DIMENSIONS (mm)					APPROX. WEIGHT	REPLACEMENT ELEMENT
	BSP	Nm ³ /hr	A	B	C ⁽²⁾	D	E	kg	PART NO.
GMSB 0006	1/8"	10	50.00	17.00	157.00	28.00	267.00	0.3	GE 0015 MS
GMSB 0015	1/4"	26	50	17.00	157.00	28.00	267.00	0.3	GE 0015 MS
GMSB 0025	1/4"	43	70.00	24.00	231.00	28.00	340.00	0.6	GE 0032 MS
GMSB 0032	3/8"	54	70.00	24.00	231.00	28.00	340.00	0.6	GE 0032 MS
GMSB 0050	1/2"	85	70.00	24.00	231.00	28.00	340.00	0.6	GE 0050 MS
GMSB 0070	1/2"	119	127.00	32.00	285.00	30.00	396.00	1.7	GE 0105 MS
GMSB 0085	3/4"	144	127.00	32.00	285.00	30.00	396.00	1.7	GE 0105 MS
GMSB 0105	1"	178	127.00	32.00	285.00	30.00	396.00	1.7	GE 0105 MS
GMSB 0125	3/4"	212	127.00	32.00	371.00	30.00	483.00	2.0	GE 0175 MS
GMSB 0175	1"	297	127.00	32.00	371.00	30.00	483.00	2.0	GE 0175 MS
GMSB 0280	1 1/4"	476	140.00	40.00	475.00	30.00	587.00	3.0	GE 0325 MS
GMSB 0325	1 1/2"	552	140.00	40.00	475.00	30.00	587.00	4.9	GE 0325 MS
GMSB 0450	2"	765	170.00	53.00	508.00	30.00	620.00	4.9	GE 0450 MS
GMSB 0700	2"	1189	170.00	53.00	708.00	30.00	818.00	5.5	GE 0700 MS
GMSB 0850	2 1/2"	1444	220.00	70.00	736.00	30.00	848.00	10.5	GE 0900 MS
GMSB 0900	3"	1529	220.00	70.00	736.00	30.00	848.00	10.5	GE 0900 MS
GMSB 1250	3"	2124	220.00	70.00	857.00	30.00	968.00	11.5	GE 1250 MS
GMSB 1500	3"	2549	220.00	70.00	1005.00	30.00	1115.00	12.5	GE 1500 MS

SPECIFICATIONS	0006 TO 0015	0025 TO 050	0070 TO 1500
Differential Pressure indicator / gauge (part no.)	-	indicator GFDP 0050	gauge GFDP 1500
Condensate drain	GFMDK 0050	GFMDK 0050	GFMDK 1500
Filter housing material	cast aluminium with E-Coat™ & powder top coat finish		
Design operating pressure range (barg)	1.5 to 20.7		
Design operating temperature range (°C)	2 to 120		

ELEMENT PERFORMANCE	MV
DOP efficiency ⁽³⁾	>99.9999%
Particle removal (micron) ⁽⁴⁾	0.01
Recommended operating temperature range (°C)	2 to 100
Design operating temperature range (°C)	2 to 120
Maximum autoclave temperature (°C) ⁽⁵⁾	133
Pressure drop - clean (bar)	0.1
Pressure drop - recommended replacement (bar)	0.4
Endcap material	stainless steel
Flow direction through element	outside to inside
Maximum steam sterilisation cycles	100
Maximum element life	6 months or 1000 hours

- (1) At 7 barg. For all other pressures, contact sales_uk@nano-purification.com.
- (2) Differential pressure indicator adds 42mm to height. Differential pressure gauge adds 71mm to height.
- (3) As specified in HTM 02-01 medical gas pipeline systems.
- (4) Per IS 8573.1:2010.
- (5) Applies to the element only.



Technical specifications subject to change without notice.
 Publication Reference: GMSB-UK-EN-Version-000
 ©2024 Air & Gas Solutions LLC

nano
 Experience. Customer. Service.

United Kingdom
 Gateshead, United Kingdom
 Phone: +44 (0) 191 497 7700
 Email: sales_uk@nano-purification.com

nano-purification solutions
 www.nano-purification.com

United States | Canada | United Kingdom | Germany | Singapore