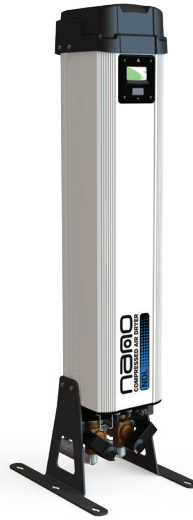


# NDL 040-F-CRN

100-240 VAC/50 or 60 Hz - 15 scfm desiccant air dryer

The nano D<sup>1</sup> modular air dryer provides clean dry air for a wide range of industrial applications. These dryers use the pressure swing adsorption principle in a modular design to dehydrate and purify your compressed air in a simple, efficient and compact package. With digital PLC controls that manage energy consumption and provide dew point monitoring, the D<sup>1</sup> modular desiccant air dryer provides substantial energy savings under various seasonal conditions for critical applications.



general characteristics	
rated flow (scfm) <sup>(1)</sup>	15
regeneration air (scfm)	3
absorbed power (kW)	0.0264
power supply (V/Ph/Hz) <sup>(2)</sup>	100-240 VAC/50 or 60 Hz
operating limits	
design operating pressure range (psig)	58 to 232
design operating temperature range (°F)	34 to 100
minimum/maximum ambient temperature (°F)	34 to 122
maximum inlet temperature (°F)	122
desiccant chambers	
desiccant type	13X molecular sieve
desiccant cartridges with integrated after filter (kit no)	NDK 040
controls/design	
dryer design	PSA
controller type	PLC
NEMA rating	NEMA 1
air circuit	
air circuit connections (NPT)	½"
ISO class	
ISO air quality class (water content)	class 2 (-40°F pdp)

(1) in compliance with CAGI (ADF 100) / NFPA (class H): inlet temperature 100°F, ambient temperature 100°F, inlet pressure 100 psig, pressure dew point -40°F (-94°F optional). For all other conditions, contact [canadasupport@n-psi.com](mailto:canadasupport@n-psi.com)  
 (2) optional 24 V DC

## features

- includes a separate F1 M01 grade pre filter (shipped loose) and a built in 1 micron after filter
- patented combined filter & desiccant cartridge; no after filter required
- advanced PLC controlled operation
- built in reliability with a 2-year warranty
- energy saving dew point control (optional)
- floor or wall mounted installation
- reliable high performance valves
- tower equalization for constant flow and pressure
- designed for tough industrial settings
- integrated compressor synchronization function
- advanced PLC features: digital interface, digital LED display, outlet air dew point indication (with ES option)
- user programmable operating parameters
- alarm indication

nano-purification solutions  
charlotte, north carolina  
united states

nano-purification solutions  
new bethlehem, pennsylvania  
united states

nano-purification solutions  
st. catharines, ontario  
canada

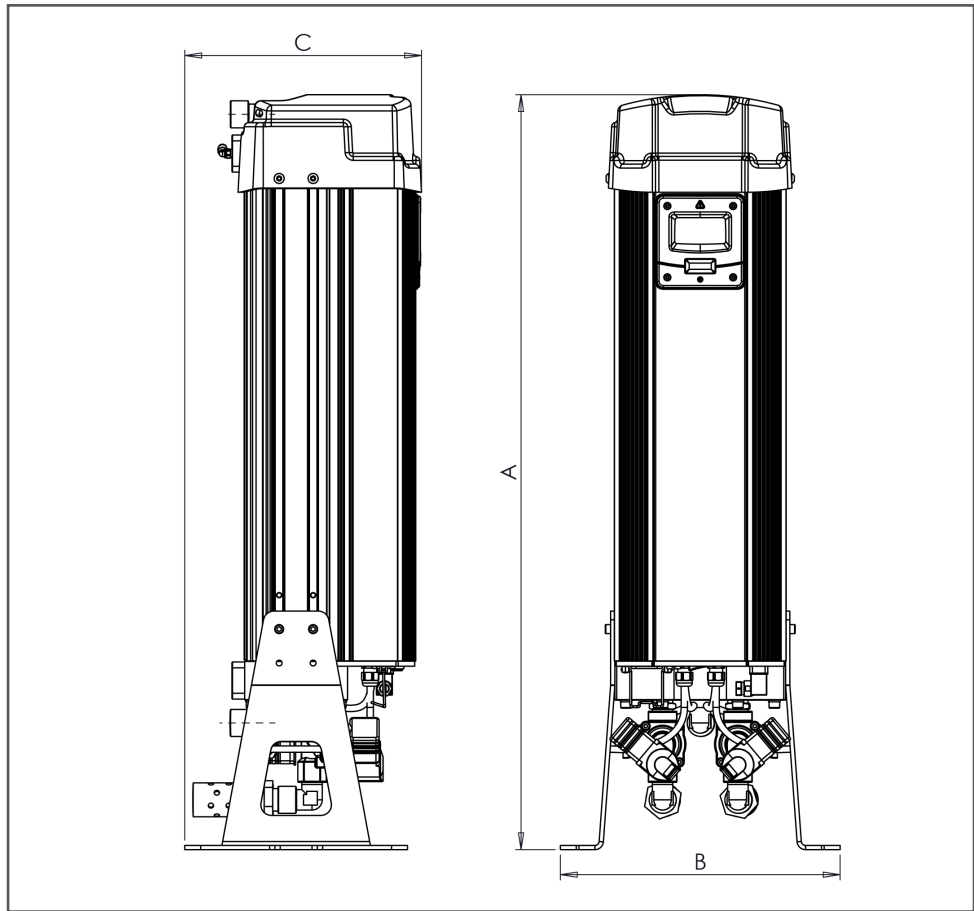
nano-purification solutions  
gateshead, tyne and wear  
united kingdom

nano-purification solutions  
erkelenz, germany

tel: 704.897.2182  
 fax: 704.897.2183  
 email: [support@n-psi.com](mailto:support@n-psi.com)  
 web: [www.n-psi.com](http://www.n-psi.com)

# technical specification

dimensions and weights	
A (ins)	37.5
B (ins)	10.5
C (ins)	11.1
weight (lbs)	43



experience