



nano F<sup>1</sup>: Compressed Air & Gas Filtration

# GMS 0006

6 scfm Medical Sterile Filter

nano GMS medical sterile filters are specifically designed and manufactured to exceed the requirements for medical gas pipeline systems providing reliable and outstanding air purity that meets internationally certified medical performance levels. Applications include: dental, medical and veterinary.

GENERAL CHARACTERISTICS	
Rated flow (scfm) <sup>(1)</sup>	6
OPERATING LIMITS	
Design operating pressure range (psig)	22 to 300
Design operating temperature range (°F)	35 to 248
HOUSING CONSTRUCTION	
Materials	pressure die cast aluminum
Finish	E-Coat™ surface treatment (internal & external) powder paint (external)
ELEMENT CONSTRUCTION	
Media	borosilicate glass microfiber
End caps	stainless steel
Replacement element (part no.)	GE 0015 MS
COMPONENTS	
Manual drain (part no.)	GFMDK 0050
Differential pressure indicator / gauge	-
DP (part no.)	-
AIR CIRCUIT	
Air circuit connections (NPT)	1/8"

(1) At 100 psig. For all other pressures, contact support@nano-purification.com

## Features

### HOUSING FEATURES

- Designed in accordance with ASME pressure vessel standards.
- Carries CRN (Canadian Registration Numbers) for approved use in every province of Canada.
- "Dead Stop" bowl feature provides full closure without over tightening.
- 10 year housing warranty
- Optimized seal ensures zero leakage and ease of bowl removal during element replacement.
- No tie rod simplifies element change out and reduces access requirements for bowl removal.
- Comprehensive range of filter mounting accessories

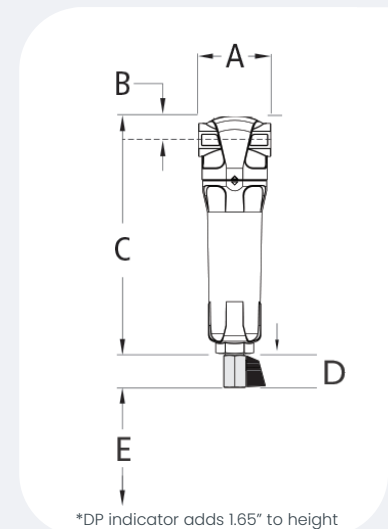
### ELEMENT FEATURES

- Third party tested and validated in accordance with NFPA 99, HTM 02-01, ISO 7396-1, and AS 2896.
- 100% integrity tested
- Guaranteed for a minimum of 100 sterilizations at 248°F.
- Stainless steel end caps for compatibility with autoclave sterilization.



## Dimensions & Weight

DIMENSIONS AND WEIGHT	
A (ins)	1.97
B (ins)	0.67
C (ins)	6.18
D (ins)	1.10
E (ins)	10.5
Weight (lbs)	0.6



# nano F<sup>1.1</sup>: Medical Sterile Filters

ELEMENT GRADES	MS
DOP efficiency <sup>(1)</sup>	> 99.9999%
Particle removal (microns) <sup>(2)</sup>	0.01
Recommended operating temperature range (°F)	35 to 212
Design operating temperature range (°F)	35 to 248
Maximum autoclave temperature <sup>(3)</sup>	273
Pressure drop - clean (psid)	1.5
Pressure drop - recommended replacement (psid)	6.0
End cap material	stainless steel
Flow direction through element	outside to inside
Maximum steam sterilization cycle	100
Maximum element life	6 months or 1000 hours

(1) As specified in HTM 02-01 medical gas pipeline systems.

(2) Per ISO 8573.1:2010

(3) Applies to element only.

## Accessories

CONNECTING KITS	FITS	PART NUMBER
Connecting kit (2 Filters)	GMS 0006	GFCK-2 0015



WALL MOUNTING KITS	FITS	PART NUMBER
Wall mounting kit	GMS 0006	GFMK 0015



Technical specifications subject to change without notice.  
 Publication Reference: GMS0006-US-EN-Version-000  
 ©2024 Air & Gas Solutions LLC



**nano**  
 Experience. Customer. Service.

nano-purification solutions  
[www.nano-purification.com](http://www.nano-purification.com)

United States  
 Charlotte, North Carolina  
 Phone: +1 704 897 2182  
 Email: [support@nano-purification.com](mailto:support@nano-purification.com)

United States | Canada | United Kingdom | Germany | Singapore