



nano F<sup>1</sup>: Compressed Air & Gas Filtration

# GMS 1500

1500 scfm Medical Sterile Filter

nano GMS medical sterile filters are specifically designed and manufactured to exceed the requirements for medical gas pipeline systems providing reliable and outstanding air purity that meets internationally certified medical performance levels. Applications include: dental, medical and veterinary.

| GENERAL CHARACTERISTICS                 |  |
|---|--|
| Rated flow (scfm) <sup>(1)</sup>        | 1250   |
| OPERATING LIMITS                        |  |
| Design operating pressure range (psig)  | 22 to 300  |
| Design operating temperature range (°F) | 35 to 248  |
| HOUSING CONSTRUCTION                    |  |
| Materials                               | pressure die cast aluminum   |
| Finish                                  | E-Coat™ surface treatment (internal & external)<br>powder paint (external) |
| ELEMENT CONSTRUCTION                    |  |
| Media                                   | borosilicate glass microfiber  |
| End caps                                | stainless steel  |
| Replacement element (part no.)          | GE 1500MS  |
| COMPONENTS                              |  |
| Manual drain (part no.)                 | GFMDK 1500   |
| Differential pressure indicator / gauge | gauge  |
| DP (part no.)                           | GFDP 1500  |
| AIR CIRCUIT                             |  |
| Air circuit connections (NPT)           | 3"   |

(1) At 100 psig. For all other pressures, contact support@nano-purification.com.

## Features

### HOUSING FEATURES

- Designed in accordance with ASME pressure vessel standards.
- Carries CRN (Canadian Registration Numbers) for approved use in every province of Canada.
- "Dead Stop" bowl feature provides full closure without over tightening.
- 10 year housing warranty
- Optimized seal ensures zero leakage and ease of bowl removal during element replacement.
- No tie rod simplifies element change out and reduces access requirements for bowl removal.
- Comprehensive range of filter mounting accessories

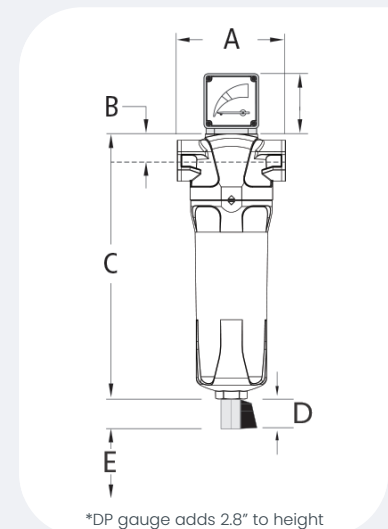
### ELEMENT FEATURES

- Third party tested and validated in accordance with NFPA 99, HTM 02-01, ISO 7396-1, and AS 2896.
- 100% integrity tested
- Guaranteed for a minimum of 100 sterilizations at 248°F.
- Stainless steel end caps for compatibility with autoclave sterilization.



## Dimensions & Weight

| DIMENSIONS AND WEIGHT |       |
|-----------------------|-------|
| A (ins)               | 8.66  |
| B (ins)               | 2.76  |
| C (ins) *             | 39.57 |
| D (ins)               | 1.18  |
| E (ins)               | 43.9  |
| Weight (lbs)          | 27.6  |



# nano F1.1: Medical Sterile Filters

| ELEMENT GRADES                                 | MS                     |
|--|------------------------|
| DOP efficiency <sup>(1)</sup>                  | > 99.9999%             |
| Particle removal (microns) <sup>(2)</sup>      | 0.01                   |
| Recommended operating temperature range (°F)   | 35 to 212              |
| Design operating temperature range (°F)        | 35 to 248              |
| Maximum autoclave temperature <sup>(3)</sup>   | 273                    |
| Pressure drop - clean (psid)                   | 1.5                    |
| Pressure drop - recommended replacement (psid) | 6.0                    |
| End cap material                               | stainless steel        |
| Flow direction through element                 | outside to inside      |
| Maximum steam sterilization cycle              | 100                    |
| Maximum element life                           | 6 months or 1000 hours |

(1) As specified in HTM 02-01 medical gas pipeline systems.

(2) Per ISO 8573.1:2010

(3) Applies to element only.

## Accessories

| CONNECTING KITS            | FITS     | PART NUMBER |
|----------------------------|----------|-------------|
| Connecting kit (2 Filters) | GMS 1500 | GFCK-2 1500 |



| WALL MOUNTING KITS | FITS     | PART NUMBER |
|--------------------|----------|-------------|
| Wall mounting kit  | GMS 1500 | GFMK 1500   |



Technical specifications subject to change without notice.  
 Publication Reference: GMS1500-US-EN-Version-000  
 ©2024 Air & Gas Solutions LLC



**nano**  
 Experience. Customer. Service.

nano-purification solutions  
[www.nano-purification.com](http://www.nano-purification.com)

United States  
 Charlotte, North Carolina  
 Phone: +1 704 897 2182  
 Email: [support@nano-purification.com](mailto:support@nano-purification.com)

United States | Canada | United Kingdom | Germany | Singapore