



nano F¹: Compressed Air & Gas Filtration

GMSB 0175

298 Nm³/h Medical Sterile Filter

nano GMSB medical sterile filters are specifically designed and manufactured to exceed the requirements for medical gas pipeline systems providing reliable and outstanding air purity that meets internationally certified medical performance levels. Applications include: dental, medical and veterinary.

| GENERAL CHARACTERISTICS | |
|--|--|
| Rated flow (Nm ³ /h) ⁽¹⁾ | 298 |
| OPERATING LIMITS | |
| Design operating pressure range (barg) | 1.5 to 20.7 |
| Design operating temperature range (°C) | 1.7 - 120 |
| HOUSING CONSTRUCTION | |
| Materials | pressure die cast aluminium |
| Finish | E-Coat™ surface treatment (internal & external) powder paint (external) |
| ELEMENT CONSTRUCTION | |
| Media | borosilicate glass microfiber |
| End caps | stainless steel |
| Replacement element (part no.) | GE 0175MS |
| COMPONENTS | |
| Manual drain | GFMDKB 1500 |
| Differential pressure indicator / gauge | guage |
| DP (part no.) | GFDP 1500 |
| AIR CIRCUIT | |
| Air circuit connections (BSPP) | 1" |

(1) At 7 barg. For all other pressures, refer to the pressure correction factor table above.

Features

HOUSING FEATURES

- Designed in accordance with ASME pressure vessel standards.
- Carries CRN (Canadian Registration Numbers) for approved use in every province of Canada.
- "Dead Stop" bowl feature provides full closure without over tightening.
- 10 year housing warranty
- Optimised seal ensures zero leakage and ease of bowl removal during element replacement.
- No tie rod simplifies element change out and reduces access requirements for bowl removal.
- Comprehensive range of filter mounting accessories

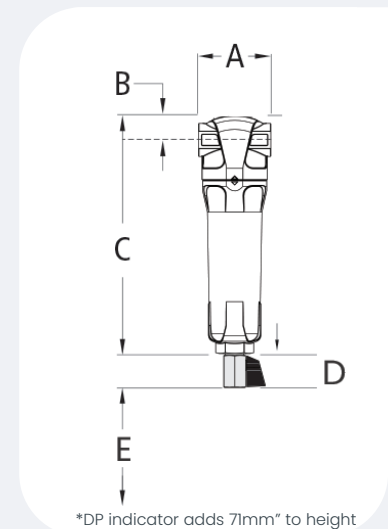
ELEMENT FEATURES

- Third party tested and validated in accordance with NFPA 99, HTM 02-01, ISO 7396-1, and AS 2896.
- 100% integrity tested
- MS elements rated for a minimum of 100 sterilisations at 120°C.
- Includes element with stainless steel end caps for compatibility with autoclave sterilisation.



Dimensions & Weight

| DIMENSIONS AND WEIGHT | |
|-----------------------|-----|
| A (mm) | 127 |
| B (mm) | 32 |
| C (mm) | 371 |
| D (mm) | 30 |
| E (mm) | 483 |
| Weight (kg) | 2 |



nano F^{1.1}: Medical Sterile Filters

| ELEMENT GRADES | MS |
|---|------------------------|
| DOP efficiency ⁽³⁾ | > 99.9999% |
| Particle removal (micron) | 0.01 |
| Recommended operating temperature range (°C) | 2 to 100 |
| Design operating temperature range (°C) | 2 to 120 |
| Maximum autoclave temperature °C ⁽⁴⁾ | 134 |
| Pressure drop - clean (mbar) | 100 |
| Pressure drop - recommended replacement (mbar) | 415 |
| End cap material | stainless steel |
| Flow direction through element | outside to inside |
| Maximum steam sterilisation cycle | 100 |
| Maximum element life | 6 months or 1000 hours |

(1) As specified in HTM 02-01 medical gas pipeline systems.

(2) Per ISO 8573.1:2010.

(3) Applies to element only.

Accessories

| CONNECTING KITS | FITS | PART NUMBER |
|----------------------------|-----------|-------------|
| Connecting kit (2 Filters) | GMSB 0175 | GFCK-2 0175 |



| WALL MOUNTING KITS | FITS | PART NUMBER |
|--------------------|-----------|-------------|
| Wall mounting kit | GMSB 0175 | GFMK 0175 |



Technical specifications subject to change without notice.
 Publication Reference: GMSB0175-UK-EN-Version-000
 ©2024 Air & Gas Solutions LLC

nano
 Experience. Customer. Service.

nano-purification solutions
www.nano-purification.com

United Kingdom
 Gateshead, United Kingdom
 Phone: +44 (0) 191 497 7700
 Email: sales_uk@nano-purification.com

United States | Canada | United Kingdom | Germany | Singapore