

MEL 0500

500 scfm mist eliminator

Exceptional performance, reliability and durability with a low operating cost are all essential in a compressed air system. The nano F⁶ MEL range of mist eliminators delivers all this and more. With a service life of over 10 years and an initial pressure drop of less than 0.5 psig, utility-rebate friendly MEL provides the most economic value on the market for general purpose protection.



general characteristics

rated capacity (scfm)*	500
------------------------	-----

operating limits

recommended operating temperature range (°F)	60 - 180
--	----------

design operating temperature range (°F)	35 - 248
---	----------

design operating pressure range (psig)	20 - 150
--	----------

filtration

initial differential pressure (psig)	less than 0.5
--------------------------------------	---------------

recommended pressure differential for element change (psid)	1.0
---	-----

filtration performance	0.3 micron @ 99.97% efficiency
------------------------	--------------------------------

air circuit

air circuit connections NPT(F)	3"
--------------------------------	----

ISO class	2.7.3
-----------	-------

*at 100 psig. For all other conditions, contact support@n-psi.com

features

- differential pressure gauge kit supplied as standard for on-site installation
- heavy duty pressure vessel built in accordance with latest edition of section VIII Div 1 ASME Code
- long service life of 10 + years
- external powder coated as standard; optional interior powder epoxy coating for corrosive environments
- pleated glass fiber coalescing media is 99.97% efficient with particle removal down to 0.3 micron including coalesced liquid water and oil
- element is reinforced with epoxy coated steel wire and epoxy potting compound with perforated metal core for additional support and protection
- pleated media has a far greater surface area for filtration, providing lower pressure drop when compared to a conventional wrapped element
- energy efficient units are utility rebate-friendly
- serviceability without inlet & outlet pipe disruption
- automatic drain vent ports and safety valve port included as standard

nano-purification solutions llc
charlotte, north carolina,
united states

nano-purification solutions
st. catharines, ontario,
canada

nano-purification solutions ltd
gateshead, tyne and wear,
united kingdom

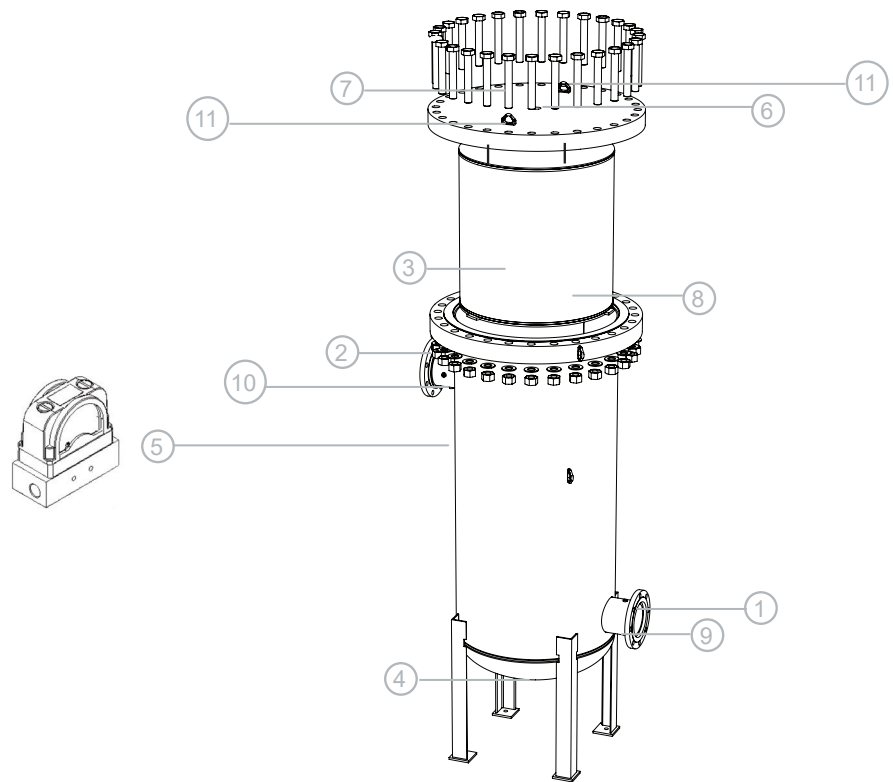
tel: 704.897.2182
fax: 704.897.2183
email: support@n-psi.com
web: www.n-psi.com

technical specification

dimensions & weight

width (ins)	20.0
height (ins)	61.0
minimum clearance for element change (ins)	22.0
weight (lbs)	359

product overview



number	description	number	description
1	compressed air inlet	7	blind flange
2	compressed air outlet	8	element removal
3	element	9	inlet automatic drain port
4	drain port	10	automatic drain vent port
5	differential pressure indicator	11	lifting lugs
6	safety relief valve port		