



nano F¹: Compressed Air & Gas Filtration

GF 1500 WS

1500 scfm Water Separator

The nano F¹ centrifugal water separators are designed to remove 99% of bulk liquid water from your compressed air or gas stream. This simple yet highly efficient design eliminates liquid contaminants enhancing the reliability of your compressed air or gas system and eliminating costly downtime.

GENERAL CHARACTERISTICS	
Rated flow (scfm) ⁽¹⁾	1500
OPERATING LIMITS	
Design operating pressure range (psig) ⁽²⁾	22 to 232
Design operating temperature range (°F)	32 to 176
HOUSING CONSTRUCTION	
Materials	pressure die cast aluminum
Finish	E-Coat™ surface treatment (internal & external) satin black powder paint (external)
CENTRIFUGAL MODULE CONSTRUCTION	
Materials	glass - filled fiber
COMPONENTS	
Condensate drain	GFDK 1500 as standard
AIR CIRCUIT	
Inlet & outlet connections (NPT)	3"

(1) At 100 psig. For all other pressures, contact support@nano-purification.com.
 (2) For pressure below 22 psig, order with a GFDK 0050 for models GF 0070 to 1500. For pressures up to 300 psi use manual drain valve. .
 (3) Technical specifications subject to change without notice. Direct inquires to support@nano-purification.com.

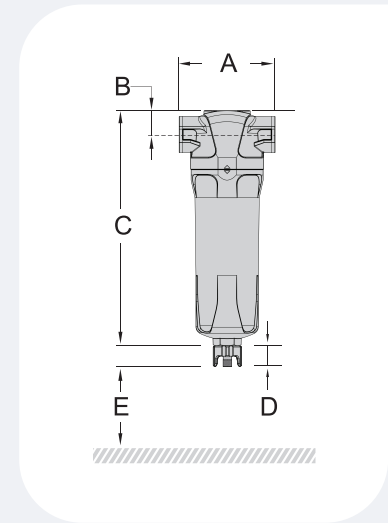
Features

FEATURES	
<ul style="list-style-type: none"> Designed in accordance with ASME pressure vessel standards. Carries CRN (Canadian Registration Numbers) for approved use in every province of Canada. "Dead Stop" bowl feature provides full closure without over tightening. 10 year housing warranty Manufactured in an ISO 9001 approved facility and tested in accordance with ISO 12500-4. 	<ul style="list-style-type: none"> Comprehensive range of mounting accessories. Housing manufactured from die cast aluminum and polyester powder coated for optimum corrosion protection for the most demanding applications. Vortex arrester ensures the separated liquid cannot re-enter the air gas stream.



Dimensions & Weight

DIMENSIONS AND WEIGHT	
A (ins)	8.66
B (ins)	2.76
C (ins)	16.26
D (ins)	1.18
E (ins)	3.94
Weight (lbs)	27.6



Accessories

CONNECTING KITS	FITS	PART NUMBER
Connecting kit (2 filters)	GF 1500 WS	GFCK-2 1500
Connecting kit (3 filters)	GF 1500 WS	GFCK-3 1500



WALL MOUNTING KITS	FITS	PART NUMBER
GF wall mounting kit	GF 1500 WS	GFMK 1500



EXTERNAL DRAIN OPTIONS	FITS	PART NUMBER
Heavy duty automatic drain	GF 1500 WS	NED 12
½" magnetic no air loss drain	GF 1500 WS	NMD 12
½" timed solenoid drain with integrated strainer	GF 1500 WS	NETD 12 115



*Drains may require an adaptor. Contact support@nano-purification.com to confirm correct fit..

Technical specifications subject to change without notice.
 Publication Reference: GF1500WS-US-EN-Version-000
 ©2024 Air & Gas Solutions LLC



nano
 Experience. Customer. Service.

nano-purification solutions
 www.nano-purification.com

United States
 Charlotte, North Carolina
 Phone: +1 704 897 2182
 Email: support@nano-purification.com

United States | Canada | United Kingdom | Germany | Singapore