



nano F¹: Compressed Air & Gas Filtration

NFE 3000 WS-ND

3000 scfm Water Separator

The nano F¹ centrifugal water separators are designed to remove 99% of bulk liquid water from your compressed air or gas stream. This simple yet highly efficient design eliminates liquid contaminants enhancing the reliability of your compressed air or gas system and eliminating costly downtime.

GENERAL CHARACTERISTICS	
Rated flow (scfm) ⁽¹⁾	3000
OPERATING LIMITS	
Design operating pressure range (psig)	22 to 232
Design operating temperature range (°F)	35 to 176
HOUSING CONSTRUCTION	
Materials	extruded aluminum
Finish	Internal and external electrophoretic coating
CENTRIFUGAL MODULE CONSTRUCTION	
Materials	glass - filled nylon
COMPONENTS	
Condensate drain	sold separately
AIR CIRCUIT	
Inlet & outlet connections (ANSI Flg)	4"

(1) At 100 psig. For all other pressures, contact support@nano-purification.com.

(2) Technical specifications subject to change without notice. Direct inquires to support@nano-purification.com.



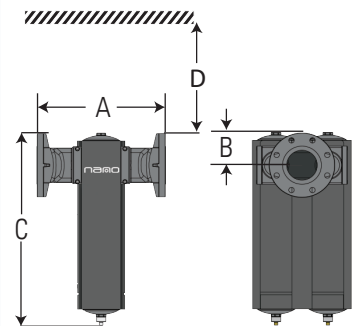
Features

FEATURES

- Designed in accordance with ASME pressure vessel standards.
- Operates with consistently low differential pressure, reducing both energy consumption and operating costs
- Manufactured in an ISO 9001 approved facility and tested in accordance with ISO 8573-9.
- Vortex arrester ensures the separated liquid cannot re-enter the air gas stream.

Dimensions & Weight

DIMENSIONS AND WEIGHT	
A (ins)	18.00
B (ins)	4.57
C (ins)	25.59
D (ins)	11.81
E (ins)	13.50
Weight (lbs)	64.6



Accessories

EXTERNAL DRAIN OPTIONS	PART NUMBER
Heavy duty automatic drain	NED 12
½" magnetic no air loss drain	NMD 12
½" timed solenoid drain with integrated strainer	NETD 12 115

*Drains may require an adaptor. Contact support@nano-purification.com to confirm correct fit.



Technical specifications subject to change without notice.
Publication Reference: NFE3000WS-ND-US-EN-Version-000
©2024 Air & Gas Solutions LLC



nano

Experience. Customer. Service.

nano-purification solutions
www.nano-purification.com

United States
Charlotte, North Carolina
Phone: +1 704 897 2182
Email: support@nano-purification.com

United States | Canada | United Kingdom | Germany | Singapore