



nano D⁵: Compressed Air Dryers

HL0350

350 scfm Desiccant Air Dryer

Manufactured in our Maryville, Tennessee facility, the nano D⁵ HL heatless desiccant air dryers employ expanded dry purge air to regenerate the offline bed. These straightforward yet highly effective dryers provide a continuous supply of clean, dry air within a dependable and cost-efficient framework.

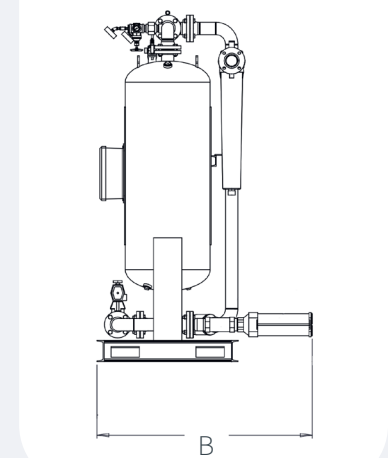
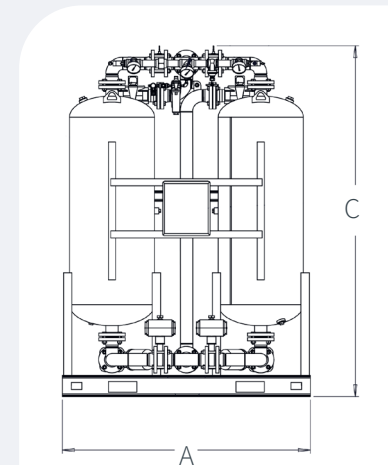


GENERAL CHARACTERISTICS	
Rated capacity (scfm) ⁽¹⁾	350
Regeneration air (scfm)	53
Absorbed power (kW)	0.35
OPERATING LIMITS	
Minimum / design / maximum operating pressure (psig)	60 / 100 / 200
Minimum / design / maximum ambient temperature range (°F)	38 / 100 / 120
Minimum / design / maximum inlet temperature (°F)	38 / 100 / 120
DESICCANT CHAMBERS	
Desiccant type	activated alumina
Desiccant weight per tower (lbs)	175
CONTROLS / DESIGN	
Dryer design	PSA heatless regenerative
Controller type	PLC
Power supply (V/Ph/Hz)	115/1/60
NEMA rating	NEMA 4X
AIR CIRCUIT	
Air circuit connections (NPT(F))	2"
Filters	GFN0450 (M01/M1)
ISO CLASS	
ISO air quality class (water content)	class 2 (-40°F pdp)

* In compliance with CAGI (ADF 100) / NFPA (class H): inlet temperature 100°F, ambient temperature 100°F, inlet pressure 100 psig, pressure dew point -40°F. For all other conditions, contact support@nano-purification.com.

Dimensions & Weight

DIMENSIONS AND WEIGHT	
A (ins)	48.8
B (ins)	42.3
C (ins)	84.4
Weight (lbs)	735



D⁵: Twin Tower Heatless Desiccant Air Dryers

Features

- UL/cUL compliant
- ASME U-stamped pressure vessels
- CRN pressure vessels up to HL1500
- Mounted 0.01 micron GFN prefilter and 1 micron GFN after filter included
- Adjustable purge valve
- Low noise exhaust mufflers
- NEMA 4X control panel
- High performance valves
- Made in the USA activated alumina desiccant
- Lifting lugs and/or fork lift pockets on all products
- Robust and reliable **Basic PLC** control HL0070 to HL0750
 - 'Power On', 'Hours Run' and 'Service Required Indicators'.
 - Memory retention built into the PLC enables the controller to pick up where it left off in the drying cycle, ensuring consistently clean and dry air downstream.
 - Compressor synchronization is a standard energy saving feature on HL range which starts and stops the dryer with a signal from the compressor to eliminate purge loss when drying is not required.
- **Advanced Allen-Bradley PLC** controller HL1000 to HL3000
 - Digital interface
 - Digital LED display
 - Outlet air dew point indication (with ES option)
 - Compressor synchronization is a standard energy saving feature on HL range which starts and stops the dryer.
 - User programmable operating parameters
 - Alarm indication

Optional Upgrades

- Integral energy saving (ES) outlet dew point control
- Valved filter and dryer by-passes
- 230V or 12V power supply
- Stainless steel control air tubing
- Low ambient package for operation down to +20°F
- Corrosion resistant paint and material design
- Advanced Allen-Bradley PLC controller for HL0070 to HL0750 models

Technical specifications subject to change without notice.
Publication Reference: D5-HL0350-US-EN-Version-000
©2024 Air & Gas Solutions LLC



nano

Experience. Customer. Service.

nano-purification solutions
www.nano-purification.com

United States
Charlotte, North Carolina
Phone: +1 704 897 2182
Email: support@nano-purification.com

United States | Canada | United Kingdom | Germany | Singapore