

nano N₂: On-Site Gas Generators

GEN2MINI-100

Nitrogen Gas Generator

The GEN2 MINI Nitrogen Generator uses the pressure swing adsorption (PSA) principle to produce a continuous uninterrupted supply of nitrogen gas from clean dry compressed air. It's ultra compact design and range of flow rates and gas purities, make it the perfect generator for a variety of lower flow nitrogen applications.



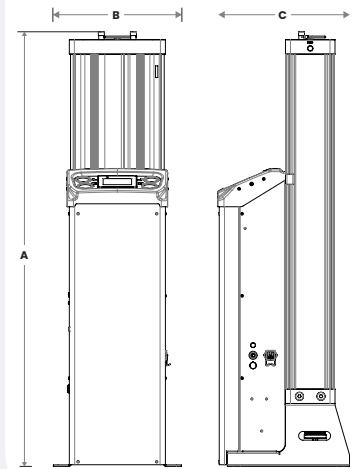
GENERAL CHARACTERISTICS	
Rated capacity @ 95% / 99.5% / 99.999% (scfh) ⁽¹⁾	339 / 148 / 18
Absorbed power (W)	72
Power supply (VAC/Hz)	100-240 / 50 or 60
OPERATING LIMITS	
Minimum inlet air quality	ISO 8573: 2010 class 2:4:1
Design operating pressure range (psig)	87 to 145
Recommended operating temperature range (°F)	68 to 77
Minimum/maximum ambient temperature (°F) ⁽²⁾	41 / 122
Maximum inlet temperature (°F) ⁽²⁾	122
MEDIA CHAMBERS	
Materials of construction	aluminum
Media type	carbon molecular sieve (CMS)
CONTROLS/DESIGN	
Generator type	pressure swing adsorption (PSA)
Controller type	programmable logic controller (PLC)
Interface type	basic - push button / advanced - HMI touch screen
Electrical rating	IP53 / NEMA 2
CONNECTIONS	
Compressed air inlet	½"
Nitrogen outlet to buffer vessel	½"
Nitrogen return from buffer vessel	¼"
Nitrogen outlet	½"

(1) At 100 psig inlet pressure

(2) Correction factors apply.

Dimensions & Weight

DIMENSIONS AND WEIGHT	
A (ins)	43
B (ins)	17
C (ins)	18
Weight (lbs)	168



nano N₂: Low Flow Nitrogen Gas Generators

Features

- Ultra compact design and wide range of flow rates, make it the perfect generator for a variety of lower flow nitrogen applications.
- Significant cost savings over cylinder or liquid supply provides a typical return on investment of less than 24 months.
- 100% functional tested with 2-warranty.
- Eliminates safety cylinders of transporting and storing pressurized gas cylinders or liquid nitrogen.
- Reduces carbon footprint by eliminating gas delivery with positive impacts on sustainability targets.
- eco-mode energy savings control reduces energy consumption during periods of low demand.
- Optional integrated O₂ analyzer and dew point sensors (N₂ or inlet air).
- Small footprint – space saving design

Upgrades

RECOMMENDED PRE FILTRATION	PART NUMBER
Water separator	GFN 0050 WS
1 micron prefilter	GFN 0050 M1
01 micron prefilter	GFN 0050 M01
Activated carbon prefilter	GFN 0050 AC

DEW POINT MONITORING
Inlet dew point sensor (-58/+122°F DP)
Outlet dew point sensor (-148/+68°F DP)

O ₂ ANALYZERS
Zirconium oxygen sensor
Off spec gas flush valve included with analyzers

ADVANCED CONTROLLER
Advanced controller with HMI touch screen



Technical specifications subject to change without notice.
Publication Reference: GEN2MINI100-US-EN-Version-001
©2024 Air & Gas Solutions LLC



nano
Experience. Customer. Service.

nano-purification solutions
www.nano-purification.com

United States
Charlotte, North Carolina
Phone: +1 704 897 2182
Email: support@nano-purification.com

United States | Canada | United Kingdom | Germany | Singapore