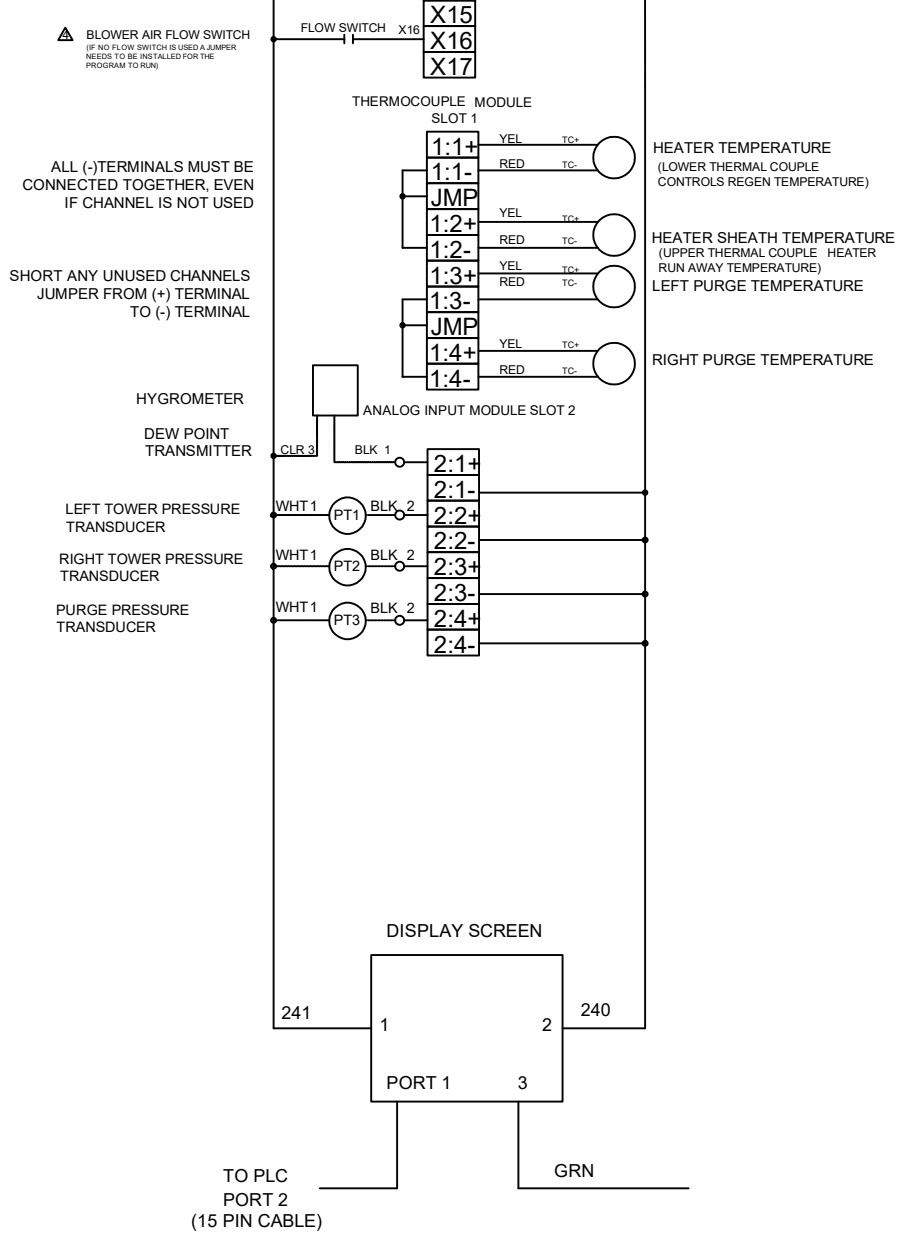
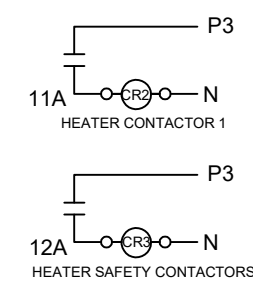
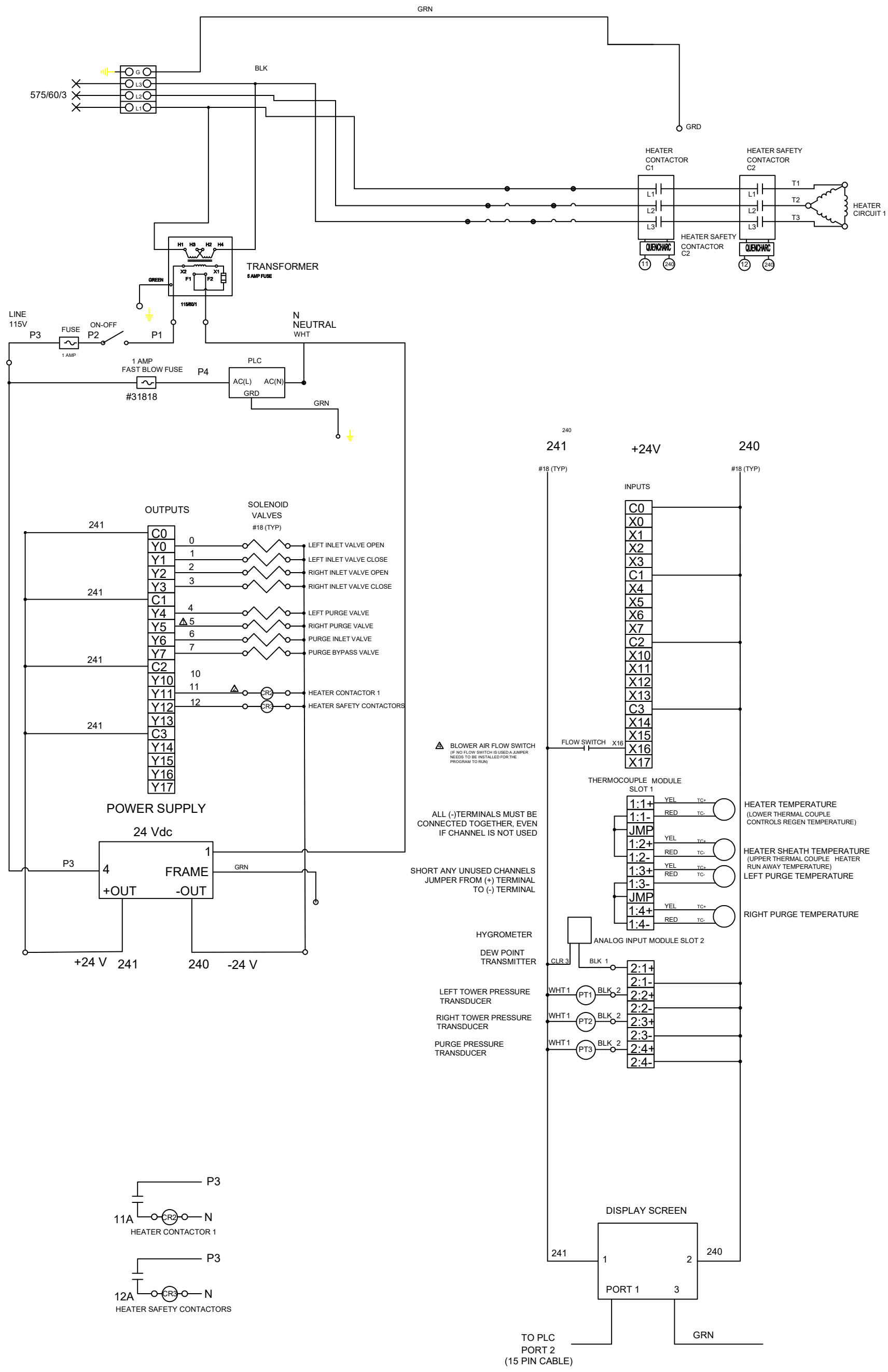


\\stp10001569n002.file.core.windows.net\ownengineering\NEWDATA\ENGINEERING\UL Drawing PDFs\HEATED\HEATED DRYER CONTROL.dwg



EHA0850, 480V
CONTROL BOX : CB-EH-480-302
HEATER
-9 KW
-CONTACTOR 32A (2)
-WIRE 14 AWG, GROUND 14 AWG