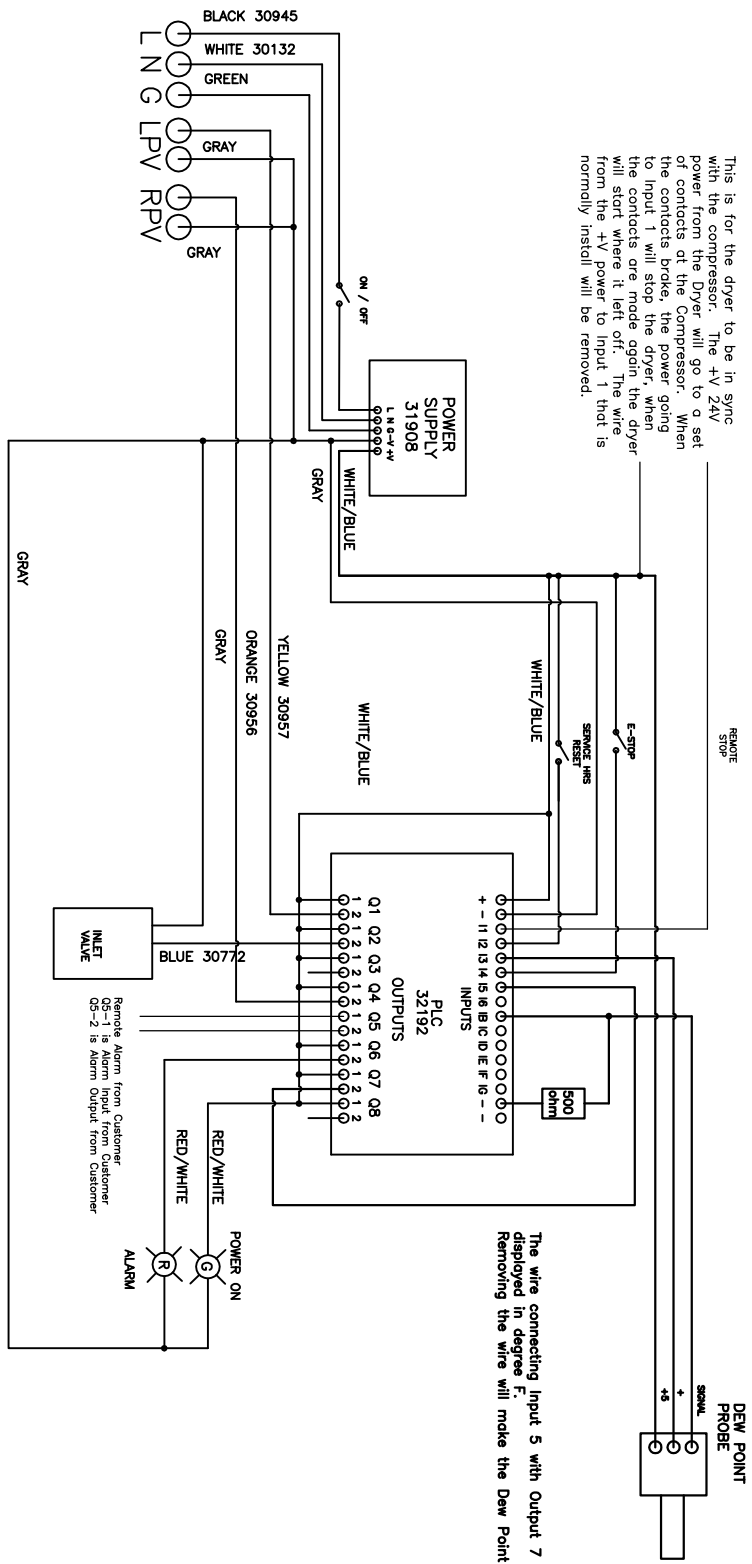


This is for the dryer to be in sync with the compressor. The +V 24V power from the Dryer will go to a set of contacts at the Compressor. When the contacts broke, the power, going to Input 1 will stop the dryer, when the contacts are made again the dryer will start where it left off. The wire from the +V power to Input 1 that is normally install will be removed.



The wire connecting Input 5 with Output 7 allows the Dew Point to be displayed in degree F.
Removing the wire will make the Dew Point be displayed in degree C

- Input 1 Remote Start/Stop
- Input 2 Service Hour Reset
- Input 3 Dew Point Sensor Detection
- Input 4 E-Stop
- Input 5 Dew Point in F (no wire C)
- Input B 0 to 10V signal from Dew Point Sensor

- Output 1 Exhaust Valve A
- Output 2 Inlet Valve A
- Output 3 Inlet Valve B
- Output 4 Exhaust B
- Output 5 Fault Alarm (+24 DC V when Alarm is active)
- Output 6 Service/ Fault (Active when service is needed or Dew Point alarm)

REV	DESCRIPTION	DATE	BY	APPR
1				
2				
3				
4				

TOLERANCE UNLESS OTHERWISE SPECIFIED .XX ± 0.1 .XXX ± 0.05 .XXXX ± 2 FRACTIONS ± 1/8		DRAWN MBS	DATE 10-14-20
THIS DRAWING IS THE PROPERTY OF AIR/TAK INC. and is subject to return upon request. It shall not be copied or duplicated in any manner and shall not be submitted to outside parties for examination without the written consent of AIR/TAK, INC. only.		CHECKED XXX	DATE 00-00-00
APPROVED XXX		DATE 00-00-00	DRAWING TITLE AIR/TAK NEW BETHELEHEM, PA 16242
SIZE D	DRAWING NO. W-HLD-NANO3W	HLD NANO Control 3-Way Valve L-Port With Energy Saver	REV 0
DO NOT SCALE	SHEET 1 OF 1		