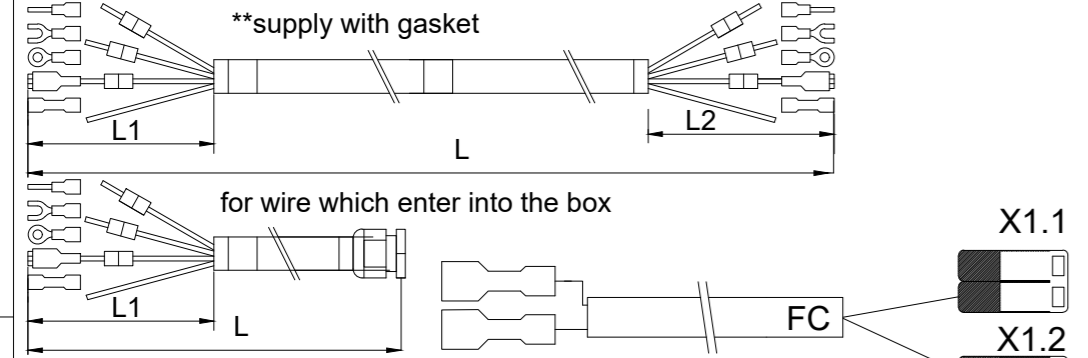
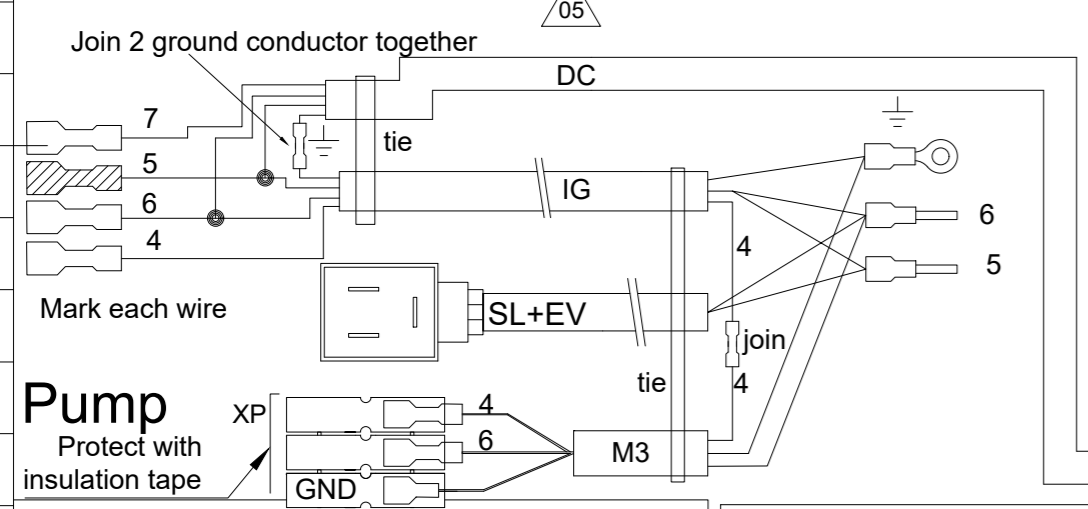


1	2	3	4	5			
CABLE BILL OF MATERIALS	L mm	CABLE TYPE	L1 mm	TERMINAL TYPE SIDE L1	L2 mm	TERMINAL TYPE SIDE L2	NOTES
MAIN SUP. 2205044901 T15	4000	3X14AWG	L1 BLACK1, L2 BLACK2: -	PLUG NEMA 5-15P	80mm - GND 120mm	2x BF-P10 + GND S6-M6	LISTED SJ, SJT, SJTO, SJOOW, SJTOW
MAIN SUP. 2205044902 T25-35	4000	3X12AWG	L1 BLACK1, L2 BLACK2: -	PLUG NEMA 5-15P	80mm - GND 120mm	2x GF-P10 + GND S6-M6	LISTED SJ, SJT, SJTO, SJOOW, SJTOW
MAIN SUP. 2205044903 T50	4000	3X12AWG	L1 BLACK1, L2 BLACK2: -	PLUG NEMA 5-20P	80mm - GND 120mm	2x GF-P10 + GND S6-M6	LISTED SJ, SJT, SJTO, SJOOW, SJTOW
SOLENOID VALVE SL+EV	2100	2X18AWG	-	43650/B **	IG side: 5-6 80mm;	-	-
IG to XR	650	4X14AWG	80mm	DC side: 4 BF-F608P; 5-6 GF-F608P	IG side: 4-5-6 90mm; GND 110mm	5-6 GF-P10 + 4 PL06-M + GND S6-M6	-
MOTOR M3 pump	450	3x14AWG	Pump side: 50mm 4-6-GND	4-6: BF-F608P GND: 160831-3	IG side: 80mm 4-6 110mm GND	-	-
DC Digital controller	1900	4x14AWG	80mm 5-6-7; 40mm GND	5-6 GF-F608P (see IG); 7 BF-F608P	-	-	-
T15 cod 2205044901 MOTOR M1-2 comp-fan	650	3x14AWG	-	-	1-N-GND 100mm;	1-N BF-F608P GND 928960-7	STYLE 2587 OR 2550 OR 21098 OR 21216 OR ECQUIVALENT
T25-35 cod 2205044902 MOTOR M1 compressor	650	3x14AWG	-	-	1-N 80mm; GND 100mm;	1-N 2xBN-FAB608 + 2xCAFAB600 GND BF-M4	-
T50 cod 2205044903 MOTOR M1 compressor	800	3x14AWG	-	-	1-N 80mm; GND 100mm;	1-N BF-F608 GND 928960-7	-
T25-35 cod 2205044902 T50 cod 2205044903 MOTOR M2 fan	1100	3x14AWG	-	-	11-12-GND 50mm	BF-F608P	-
Free contact FC	600	2x18AWG	80mm	RF-F608P	80mm	X1.1-X1.2	-
INTERNAL WIRINGS wirer 8-10 only	-	14AWG - BLACK 18AWG - BLACK	-	-	-	-	STYLE 1015 STYLE 1015



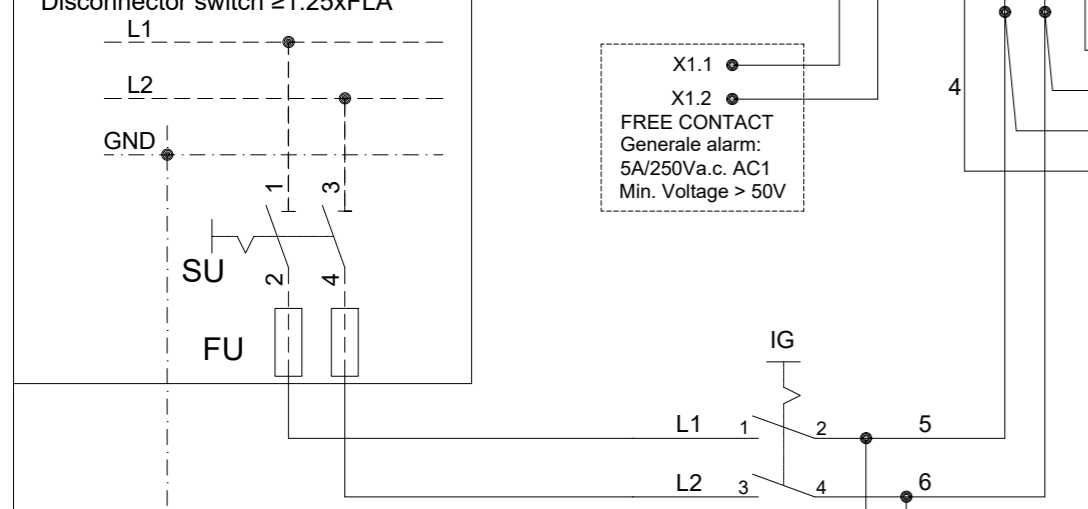
NOTE:  
 - All wires shall be marked with identification tag.  
 - All components shall be marked with identification tag.  
 - Wire harness shall be UL certified according to CCN ZPFW2-ZPFW8  
 - Print the DIAGRAM SERVICE in A3 format



COMPULSORY INSTALLATION AT CUSTOMER CARE.  
 Disconnect switch (SU) + time delay fuses (FU)

Supply	FLA	Largest motor FLA	J or RK5 fuses See Fuses table
T15 115V/60Hz	4.4	3.1	5
T25 115V/60Hz	10.2	8.7	12
T35 115V/60Hz	10.2	8.7	12
T50 115V/60Hz	12.9	10.9	20

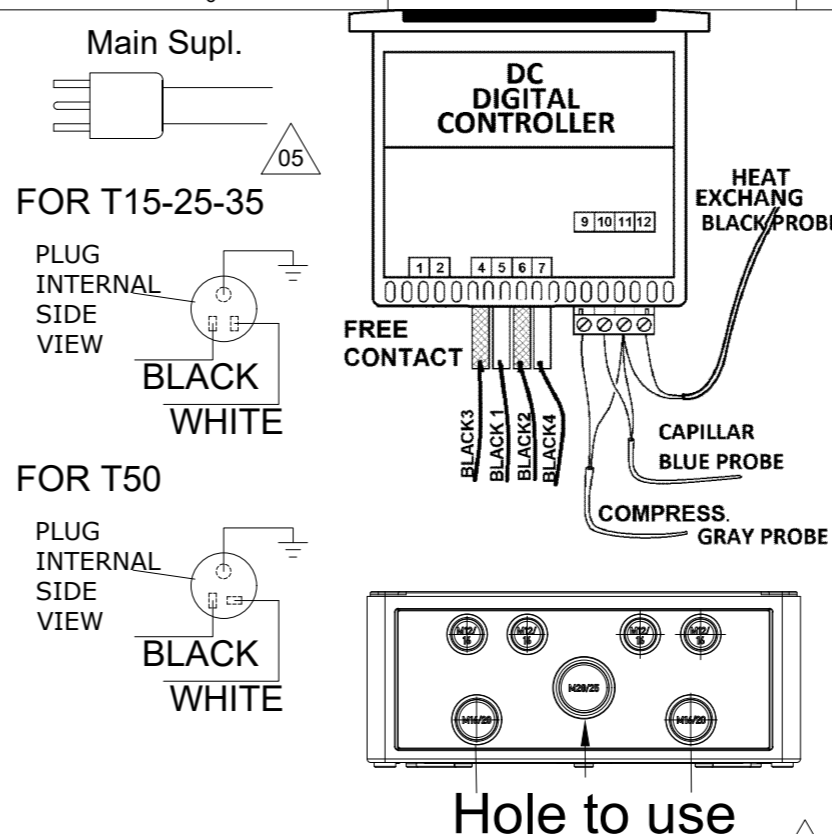
Disconnect switch  $\geq 1.25 \times \text{FLA}$



FUSES TABLE

Size	J type	FRN type	RK5 type	RK5 type
T15	LPJ-55P	FRN-R5	FRS-R-5	
T25-35	LPJ-125P	FRN-R12	FRS-R-12	
T50	LPJ-205P	FRN-R20	FRS-R-20	

5 Modified M3 cable len, added NEMA plug. CID28908 DN24054120 7/8/2024 CAlebarban



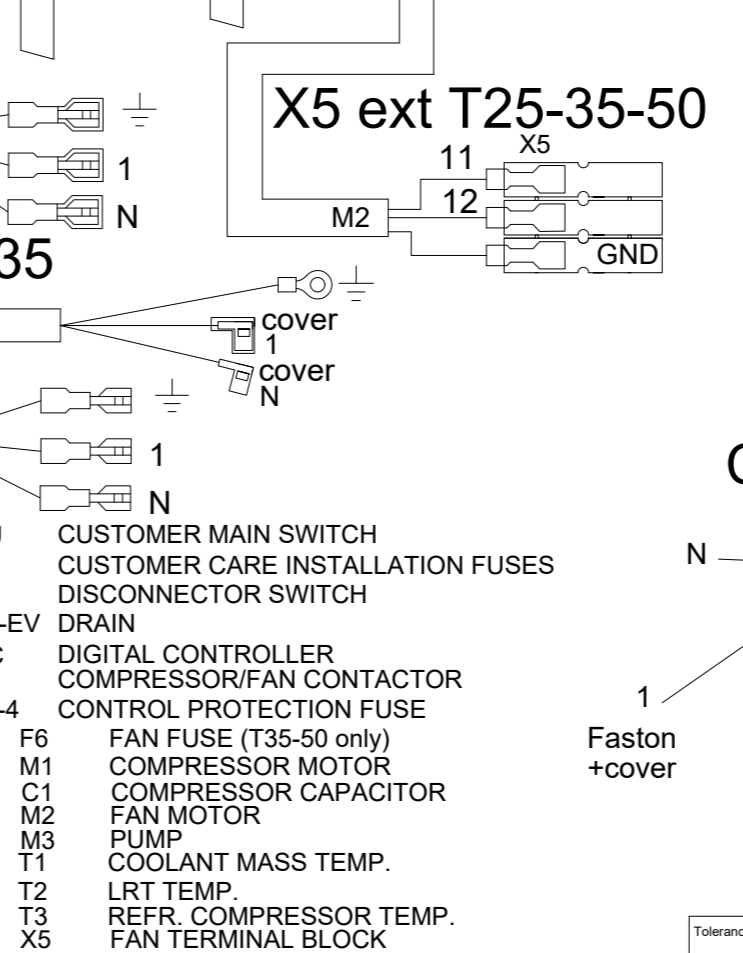
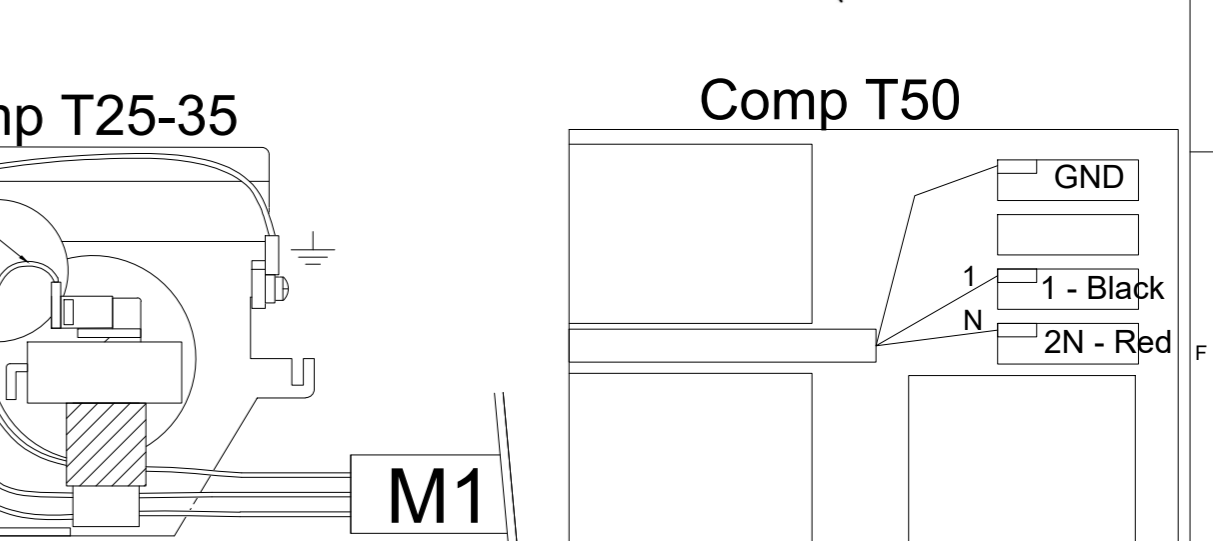
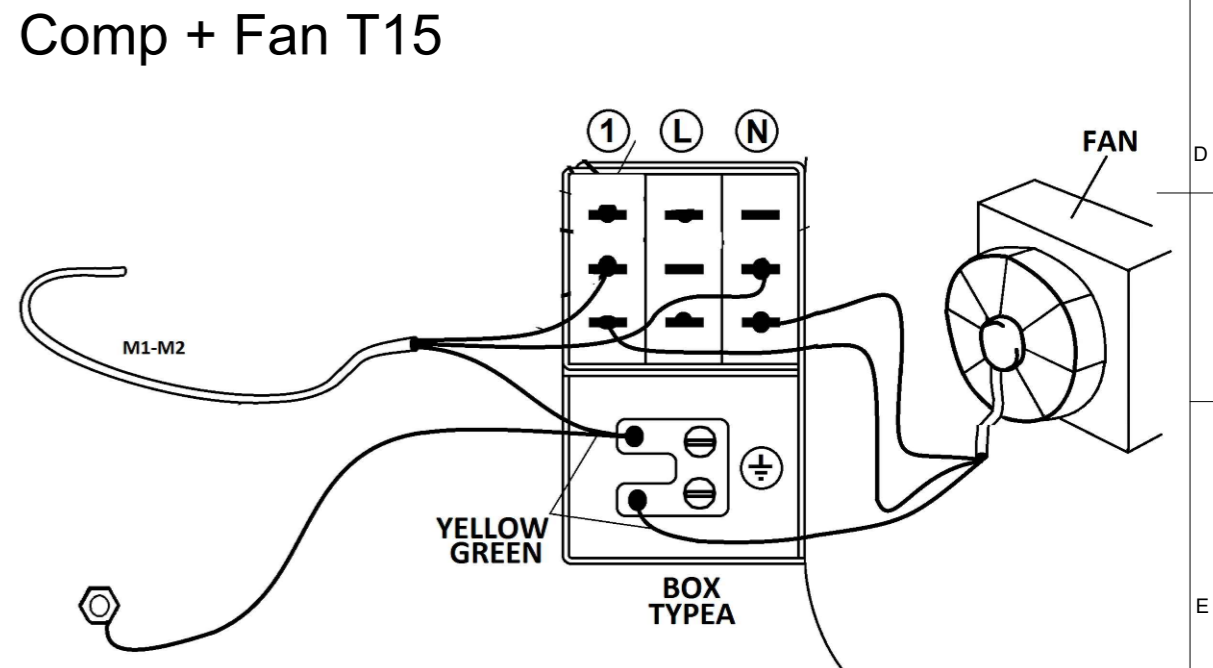
2205044901 WIRE HARN. T15 115V/60 UL rev05

ID	DESCRIPTION	TYPE	MANUFACTURER	CODE	QUANT	NOTE
IG	MAIN SWITCH	OT25FT3	ABB	1089949849	1	LOOSE
	HANDLE	OHBSRH	ABB	1089949850	1	LOOSE
ALL	CABLE GLAND	M20X1,5		0698514121	2	DC-M1
	NUT	M20x1,5		0697980953	2	DC-M1
Line	CABLE GLAND	M20X1,5		0698514121	1	LOOSE
	NUT	M20x1,5		0697980953	1	LOOSE
BOX	PROTECTIVE BOX	TK PC 13-13-10-m	SPELSBERG	1089068636	1	
	SERVICE DIAGR.			2205044900	1	
K1	CONTACTOR	3RT2016-1AK61(115V)	SIEMENS	1089943848	1	
	CONTROL FUSE	GMD-1-R 1A 5x20mm		1089916874	2	
F3-4	FUSE HOLDER	SFR.4/GR	CABUR	1088151038	2	
	FUSE HOLDER PLATE	SFR.4/PT/GR	CABUR	1088151039	2	
X1	END PLATE	HMT.2/2+2/PT/GR	CABUR	1088151015	1	
	EARTH TERMINAL	HTE.2/2+2	CABUR	1088151011	1	
	DIN RAIL	35X7.5mm		-		as necessary
	END STOP	249-116	WAGO	1088003181	2	
	FUSES LABEL			2204263054	1	COVER inner s
	LABEL ELECTRICAL EQUIPMENT			2204263061	1	LOOSE
	WARNING LABEL ELECTRICITY			2203054110	1	COVER
X1.1	FREE CONTACT TERMINALS	221-412	WAGO	-	2	
X1.2						
XP	PUMP CONNECTOR	PA21		2203080501	3	
GVS	PROTEC. SHEATH	GVS DIAM. 40X200		2204255540	1	LOOSE

2205044902 WIRE HARN. T25-35 115V/60 UL rev 05 (Same as 2205044901 plus / except )

2205044903 WIRE HARN. T50 115V/60 UL rev 05 (Same as 2205044901 plus / except )

ID	DESCRIPTION	TYPE	MANUFACTURER	CODE	QUANT	NOTE
ALL	CABLE GLAND	M20X1,5		0698514121	1	M2
	NUT	M20x1,5		0697980953	1	M2
X5	CONNECTOR	PA21		2203080501	3	
	PROTECTIVE CAP			0993421506	3	LOOSE
K1	CONTACTOR	3RT2017-1AK61(115V)	SIEMENS	1089943854	1	
BOX	PROTECTIVE BOX	TK PC 18-13-11-m	SPELSBERG	1089945804	1	
	FAN FUSES	FNQ-R-2	CC 2 A time -delay	1089916824	2	
F6	FAN FUSE HOLDER	BCC 2x38		1089959404	1	
GVS	PROTEC. SHEATH	GVS DIAM. 40X200		2204255540	1	LOOSE



Tightening Torque

Contactor terminal	M3.5	M4	M6	M8
Main Recomm. Torque [Nm/lb.in]	1.5/13.3	2.5/22.1	4/35.4	6/53.1
Aux Recomm. Torque [Nm/lb.in]	1.2/10.6	1.2/10.6	1.2/10.6	1.2/10.6
Transformer terminal	TR			
Recomm. Torque [Nm/lb.in]	0.5-1.0/4.4-8.8			

Legend:  
 SU CUSTOMER MAIN SWITCH  
 FU CUSTOMER CARE INSTALLATION FUSES  
 IG DISCONNECTOR SWITCH  
 SL-EV DRAIN  
 DC DIGITAL CONTROLLER  
 K1 COMPRESSOR/FAN CONTACTOR  
 F3-4 CONTROL PROTECTION FUSE  
 F6 FAN FUSE (T35-50 only)  
 M1 COMPRESSOR MOTOR  
 C1 COMPRESSOR CAPACITOR  
 M2 FAN MOTOR  
 M3 PUMP  
 T1 COOLANT MASS TEMP.  
 T2 LRT TEMP.  
 T3 REFR. COMPRESSOR TEMP.  
 X5 FAN TERMINAL BLOCK

Tolerances, if not indicated according to: General tolerances 1350K - V

STANDARD Class	Name	Confidentiality class acc. to 1102 K
DIAGRAM SERVICE	DRYER TMC 0030-0105 N 115V/60 UL	Internal
Material	See Drawing	ACDE
Treatment	Not Applicable	

Scale: -- Family: A2 Compare: ITJ Drawing owner: Transferred from: ITJ

Version Drwg: CAlebarban Blank nr. Replaces: ITJ

Version Drwg: Blank wt. Kg Fini wt. Kg Designation: Sheet ( ) 01 01

STATUS: RELEASED Des checked. Prod checked. Approved. Date: 5/23/2024

Parent 3D Model: Ed. Version 3D

2205044900-01

CONFIDENTIAL: This document is property of A & G Gas Solutions LLC and shall not be distributed or used for any other purpose or company.