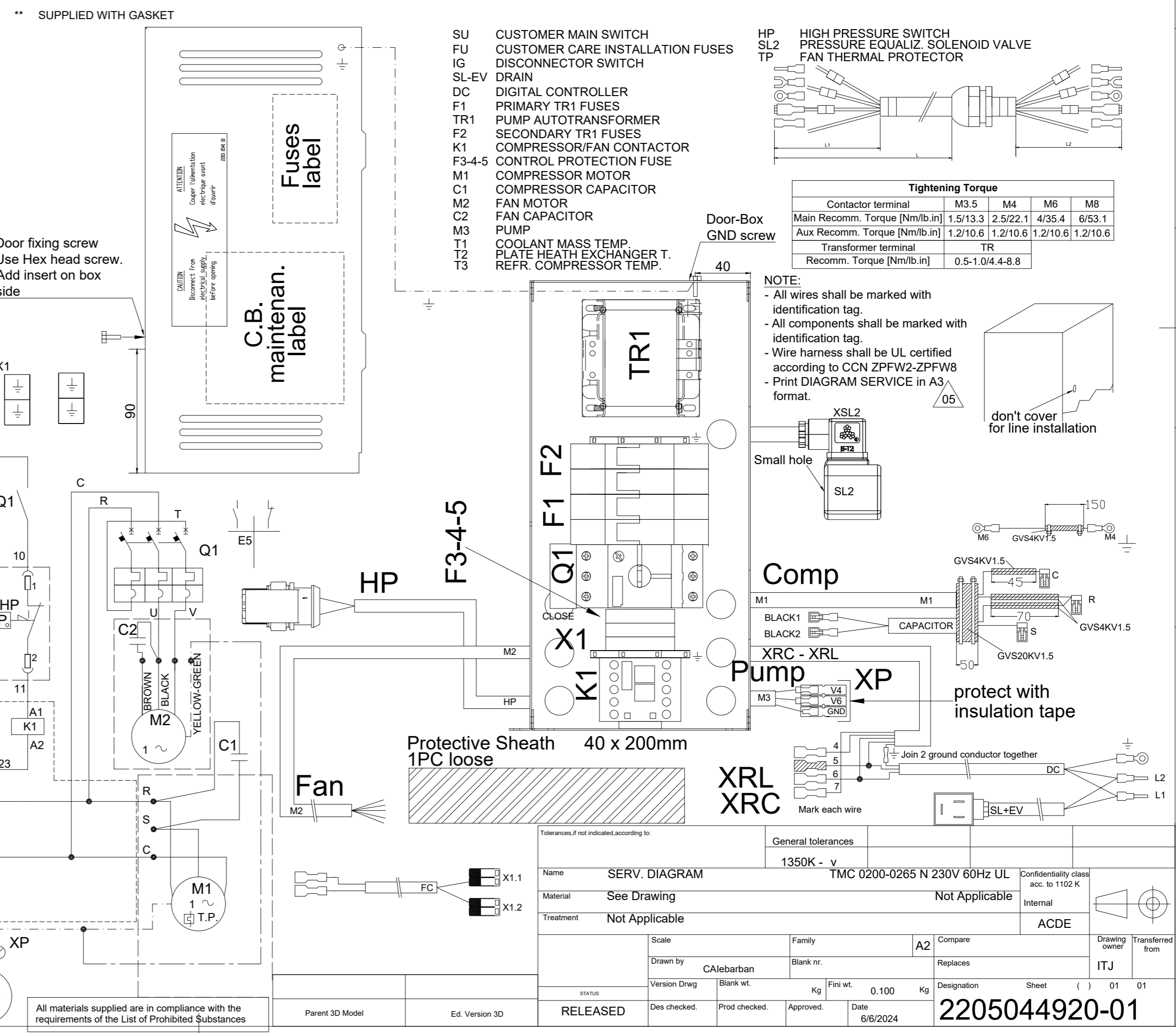
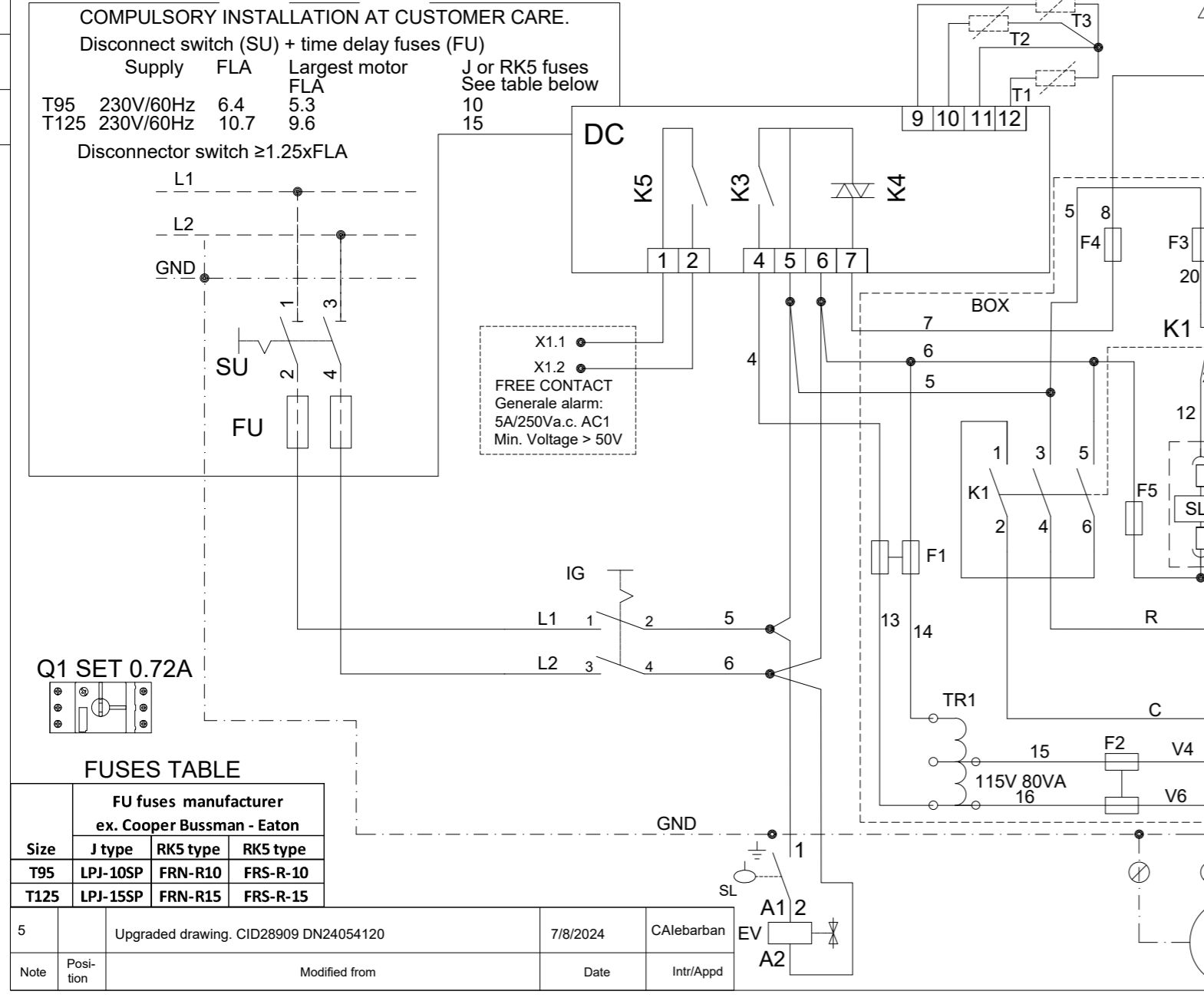


ID	Description	Type	Manuf.	Code	Quant.	Notes
IG	MAIN SWITCH	OT25FT3	ABB	1089949849	1	LOOSE
K1	HANDLE	OHBS3RH	ABB	1089949850	1	LOOSE
TR	CONTACTOR	3RT2017-1AP02 (230V)	SIEMENS	1089943858	1	
F1	TRANSFORMER	115-230V,80VA UL		2204263071	1	
F2	FUSE PRIMARY	FNQ-R 1A (CC time delay)		1089916836	2	
F3-4	FUSE HOLDER	BCC 2x38 (or equiv. but Listed)		1089959404	1	
F5	FUSE PRIMARY	FNQ-R 1A (CC time delay)		1089916836	2	
F5	FUSE HOLDER	BCC 2x38 (or equiv. but Listed)		1089959404	1	
F5	FUSE HOLDER	SFR.4/GR	CABUR	1088151038	3	
F5	FUSE HOLDER	SFR.4/PT/GR	CABUR	1088151039	3	
Q1	M2 MOTOR PROTECTION	3RV2011-0JA10 (0,7...1A)	SIEMENS	1089926724	1	
Q1	AUX. CONTACT BLOCK	3RV2901-1E	SIEMENS	1089926756	1	
Q1	TYPE E COVER	3RV2928-1K	SIEMENS	1089926791	1	
X1	GROUND TERMINAL	HTE.2/2+2	CABUR	1088151011	2	
	END STOP	249-116	WAGO	1088003181	2	
	CABLE GLAND (XRL/XRC-M1-M2-M3)	M20x1,5		0698514121	4	
	NUT	M20x1,5		0697980953	4	
	CABLE GLAND (Supply Line)	M25x1,5 - STR		0698514085	1	LOOSE
	NUT	M25x1,5		0697980922	1	LOOSE
	CABLE GLAND (M2)	PG11		0698514219	1	LOOSE
	NUT	PG11		0697980300	1	LOOSE
	HOLE TO CLOSE - PLUG	1053M20		-	1	
	NUT	M20x1,5		0697980953	1	
	CABLE GLAND (HP)	M20x1,5 STR		0698514085	1	
	NUT	M20x1,5		0697980953	1	
	CABLE GLAND (SL2)	M20x1,5 STR		0698514085	1	
	NUT	M20x1,5		0697980953	1	
	BOX	-		2202853320	1	
	FUSES LABEL	-		2204263052	1	DOOR IN.
	LABEL ELECTRICAL EQUIPMENT	-		2204263062	1	LOOSE
	WARNING LABEL ELECTRICITY	-		2203054110	1	DOOR
	C.B. MAINTENANCE LABEL	-		2202873105	1	DOOR IN.
HP	CONNECTOR FEMALE	282080-1	AMP	1088001127	1	
HP	SEALING PLUG	282934-3	AMP	1088001153	2	
HP	TERMINAL	282110-1	AMP	0694528533	2	
	SERVICE DIAGRAM	A3 FORMAT		2205044920	2	
SL2	SOLENOID COIL 230V	GVS 30KV1.5	ELEKTROZUBEHOR	2204256405	1	EXT. BOX
X1.1X1.2	FREE CONTACT TERMINALS	221-412	WAGO	-	2	
XP	PUMP CABLE CONNECTOR	PA21	-	2203080501	3	
	PROTECT. SHEATH GVS DIAM40X200	-	-	2204255540	1	LOOSE

Cable for	Length [mm]	Cable Type	WIRE	Side A	Terminal type	Side B	Terminal type	Notes
MAIN SUPPLY	4000	AWG14 3G2.5	L1-L2-GND	80	3x PKD2512	80 - GND 120	2x BF-P10 + GND S2,5-M6	LISTED SJ, SJT, SJTO, SJOOW, SJTOW
SOL.VALVE SL-EV	1600	AWG18 2X1mm <sup>2</sup>	6-5-GND	-	43650/B UL APPROVED**	80	2x GP-P10 + GND	
DC	500	AWG14 3G2.5	6-5-GND	80 (CONTROLLER SIDE)	2x GF-F608P + 2x BF-F608P +	80 - GND 120	S2,5-M6	
XRC - XRL	1200	AWG14 5G2.5	4-5-6-7-GND	80 (CONTROLLER SIDE)	GND PL06-M	-	-	
COMPR. MOTOR M1	1300	AWG14 2G2.5	R-C	100 (R) 65 (C)	2X 41802 + 60851-1	-	-	
C1 CAPACITOR	450	AWG14 2G2.5	R-S	100 (R) 50 (S)	-	50	2x BF-F608P	Style 2587 or 2550 or 21098 or 21216 or 21089 or 2464 or equivalent
FAN MOTOR M2	1500	AWG14 3G2.5	U-V-GND	70	3 x PKE2508	-	-	
PUMP MOTOR M3	350	AWG14 3G2.5	V4-V6-GND	50	2x BF-F608P + 160831-3 + XP	-	-	
HIGH PRES. SWITCH HP	300	AWG18 2x1	10 - 11	40	See HP connector	-	-	
EQUALIZ. SOL VALVE SL2	600	AWG18 3x1	23 - 12-GND	40	Connector supplied with valve	-	-	
FREE CONTACT	300	AWG18 2X1mm <sup>2</sup>	-	80	2x RF-F608P	80	2 x 221-412	
DOOR EARTH CONN.	450	AWG14 2,5mm <sup>2</sup> Ye/Gr	-	-	S2,5-M5	-	S2,5-M5	STYLE 1015 t=90°C. Connected only to the door
M1 GND WIRE CONN.	550	AWG14 2,5mm <sup>2</sup> Ye/Gr	-	-	S2,5-M4	-	S2,5-M6	STYLE 1015 t=90°C. Supply loose on M1 cable
INTERNAL POWER WIRES	-	AWG14 2,5mm <sup>2</sup> Black	-	-	-	-	-	STYLE 1015 t=90°C. Connected only to the door
INT. WIRES 8-10-11-23-12-20	-	AWG18 1mm <sup>2</sup> Black	-	-	-	-	-	STYLE 1015 t=90°C. Connected only to the door



**CONFIDENTIAL:**  
 This document is property of A.K. Gas Solutions LLC and shall not be distributed or used without our permission. It is intended for manufacturing or communication to any other person or company.

Name		SERV. DIAGRAM	
Material		See Drawing	
Treatment		Not Applicable	
Scale		1350K - v	
Family		A2	
Blank nr.		Compare	
Version Drwg		Replaces	
Blank wt.		Drawing owner	
Kg		Fini wt.	
0.100		Kg	
Designation		Sheet ( ) 01 01	
Des checked.		Prod checked.	
Approved.		Date	
6/6/2024		2205044920-01	