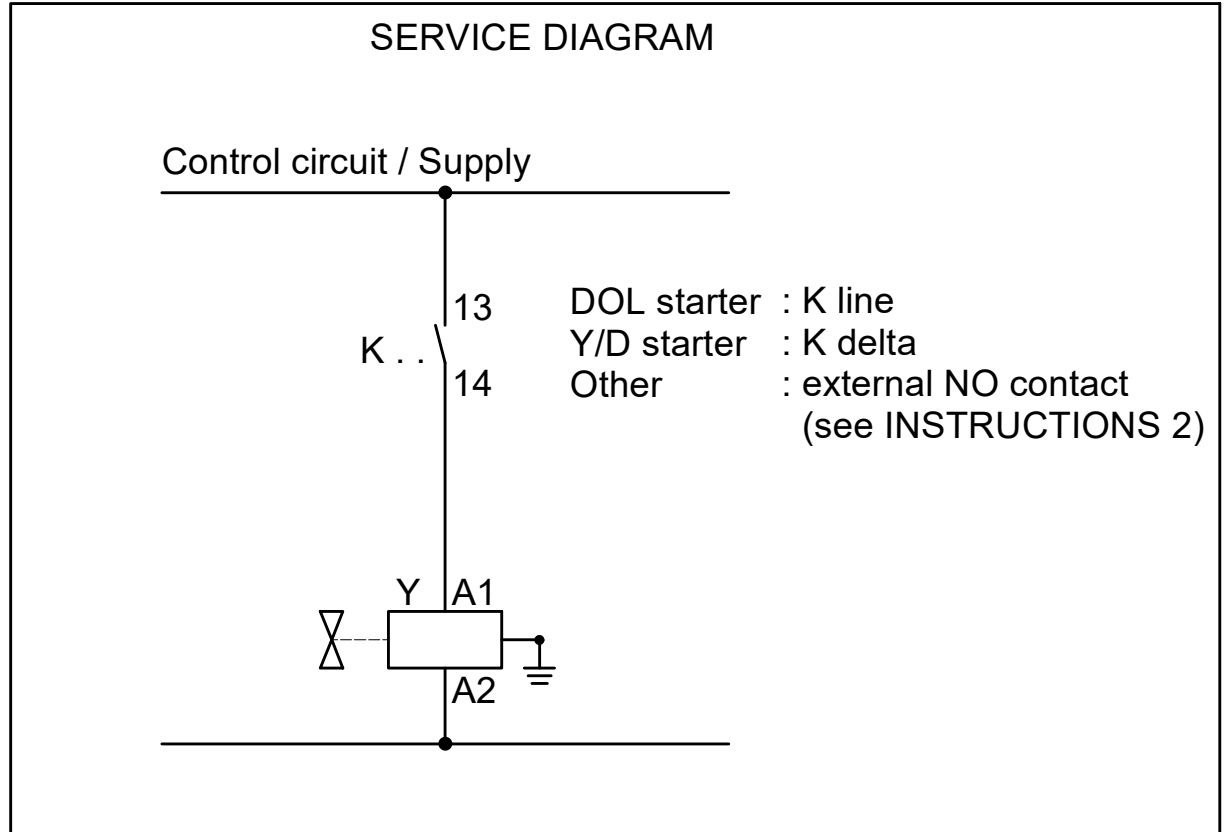
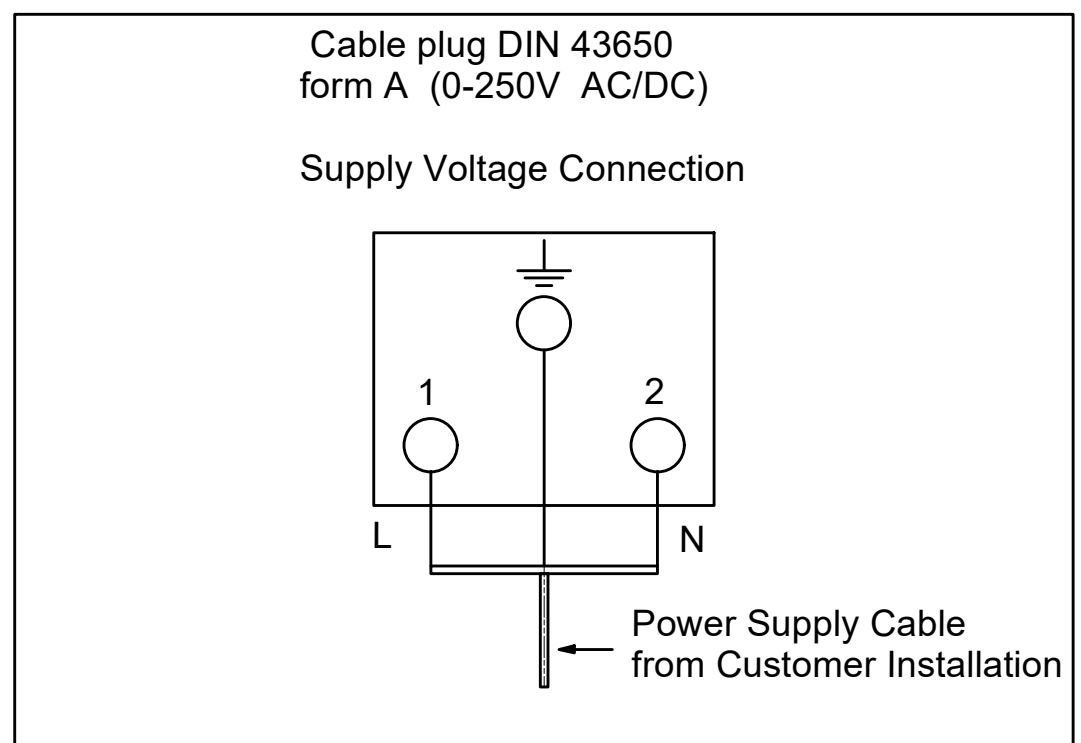
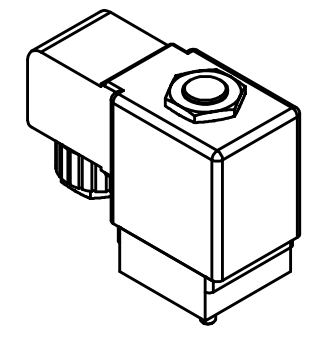
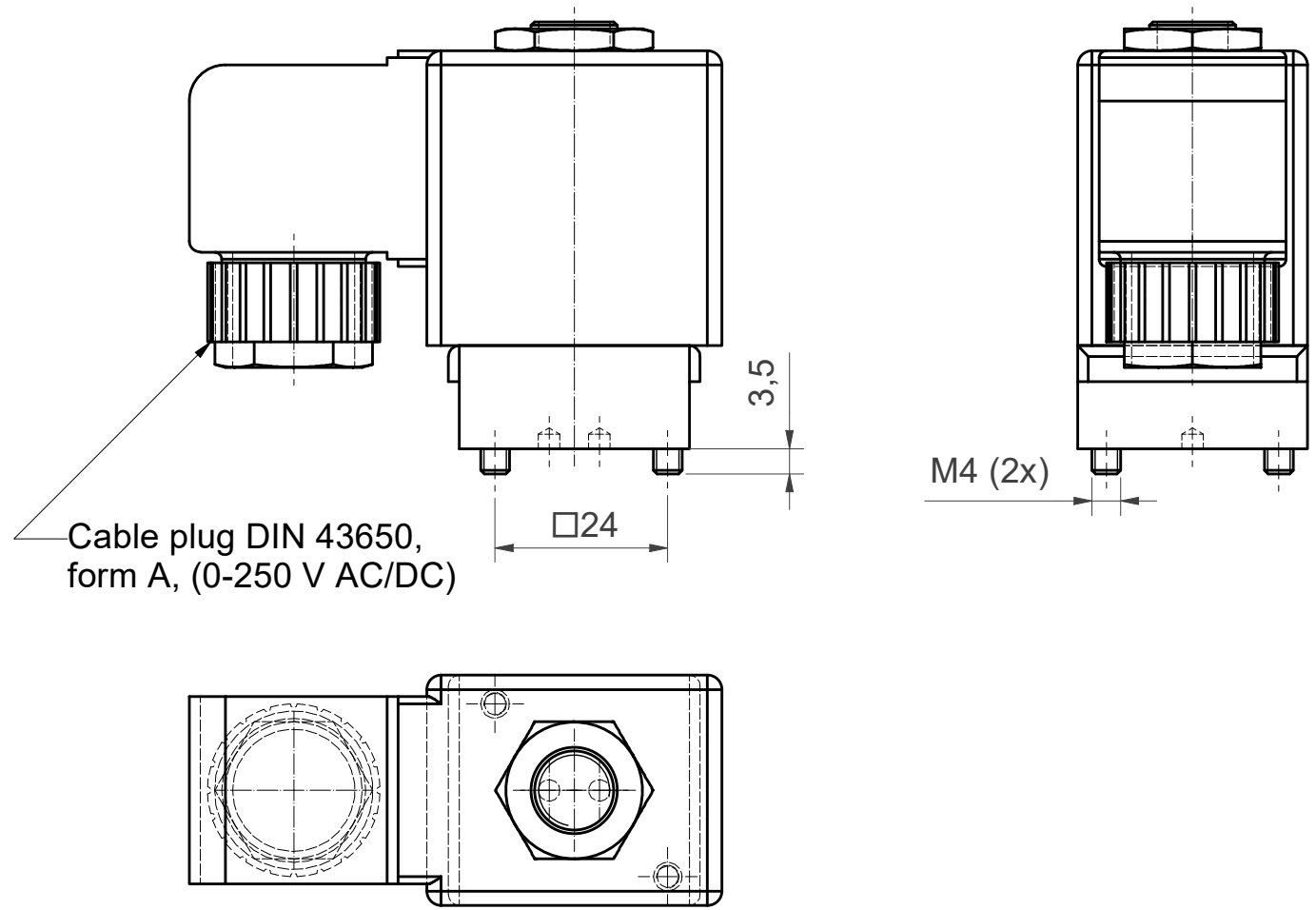


## Purge Air Stop – Option

	Drawing # - Rev
Main electrical	9827730402-01 ed 01
Assembly per model	
DHM0003-100-F2	9827855003-01 ed 01
DHM0007-100-F2	9827855103-01 ed 01
DHM0013-100-F2	9827855303-01 ed 01
DHM0019-100-F2	9827855303-01 ed 01
DHM0028-100-F2	9827855503-01 ed 01
DHM0036-100-F2	9827855503-01 ed 01
DHM0055-100-F2	9827855703-01 ed 01
DHM0005-55-F2	9827854903-01 ed 01
DHM0010-55-F2	9827854903-01 ed 01
DHM0020-55-F2	9827855203-01 ed 01
DHM0030-55-F2	9827855203-01 ed 01
DHM0040-55-F2	9827855403-01 ed 01
DHM0050-55-F2	9827855403-01 ed 01
DHM0075-55-F2	9827855603-01 ed 01



All materials supplied are in compliance with the requirements of the List of Prohibited Substances



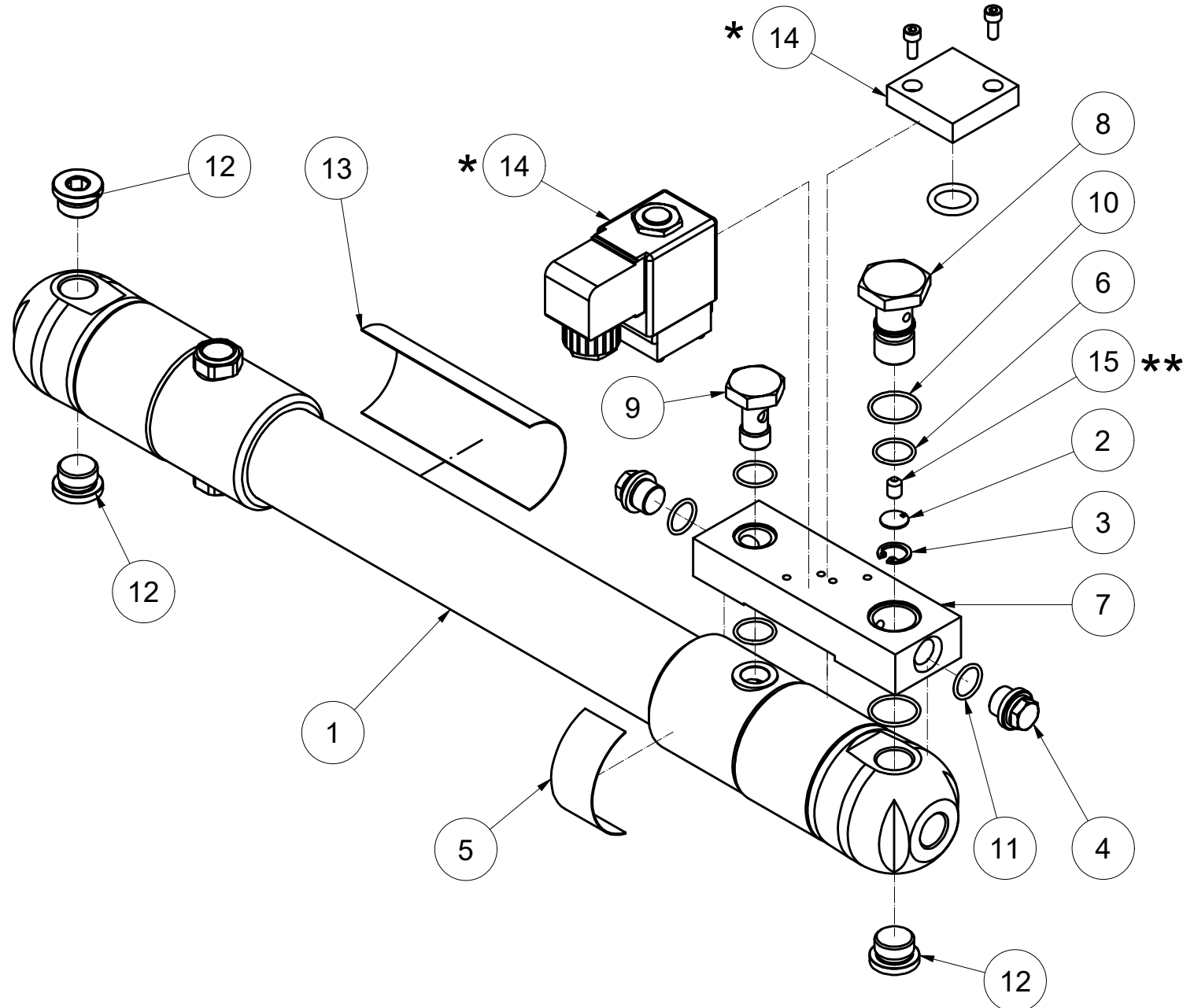
- INSTRUCTIONS FOR PURGE CONTROL
- 1 Connect supply voltage (according to voltage variant of solenoid valve) by means of electrical cable (according to local regulations) to the DIN cable plug of solenoid valve (type normally closed). Always connect the protective conductor.
  - 2 Supply voltage shall be SWITCHED ON in case PMD-dryer is IN OPERATION.
  - 3 Supply voltage shall be SWITCHED OFF in case PMD-dryer is NOT IN OPERATION.

Tolerances, if not indicated, according to:		General tolerances			
STANDARD CLASS		1350K - m			
Name	INSTR. ASSEMBLY PURGE CONTROL			Confidentiality Class	
Material	Not Applicable			acc. to 1102 K	
Treatment	Not Applicable			Confidential	
	Scale	1 : 1	Family	A3 Compare	Drawing owner
	Drawn by	INEBM	Blank nr.	Replaces	API
Version Drwg	Blank wt	0 Kg	Fini wt.	N/A	Designation
STATUS	Des checked.	Prod checked.	Approved.	Date	Sheet 1 / 1
Released				10/04/2021	9827730402-01

1		28/10/2021	User Agent	9827730400	00.00
Ed	Position	Date	Intr./Appd.	Parent 3D model	Ed . Version 3D

CONFIDENTIAL: This document is our property and shall not without our permission be altered, copied, used for manufacturing or communicated to any other person or company.

All materials supplied are in compliance with the requirements of the List of Prohibited Substances



**\*\***

Nozzle Details (Pos 15)			
	7 bar	10 bar	13 bar
DHM 0010 55F	1624131833	1624131828	1624131824
DHM 0005 55F	1624131824	1624131820	1624131818

**Note:-**

\* For Pos no. 14 use either Solenoid valve or Cover assembly which ever is applicable for the variant.

\*\* Nozzle 7 bar will be installed on the dryer and 13 bar and 10 bar will be delivered loose.

13	1	1624134402	R	PLATE DATA	
12	3	0686371834	S	PLUG	
11	2	0663712000	S	O- RING	
10	2	0663211341	S	O- RING	
9	1	1624132300	R	BOLT	
8	1	1624131900	R	BOLT	
7	1	1624156900	R	DUCT	
6	3	0663210436	S	O- RING	
5	1	1624170706	R	DECAL UNIT	
4	2	0686371659	S	PLUG	
3	1	0335 2102 12	S	CIRCLIPS	
2	1	1624132000	R	SCREEN	
1	1	1624186000	R	MEMBRANE	APPM MEMBRANE PE1015
Pos	Qty	Partnumber	R/S	Name	Comments

Product name	Product number	Sol.Valve/Cover Assy (Pos 14)	Solenoid valve desc
DHM 0010 55F	8102859553	1089064054	Sol. 120/60
		1089064053	Sol. 240/60
		1089064051	Sol. 230/50
		1603700665	Cover Plate
DHM 0005 55F	8102859546	1089064054	Sol. 120/60
		1089064053	Sol. 240/60
		1089064051	Sol. 230/50
		1603700665	Cover Plate

Tolerances, if not indicated, according to:  
STANDARD CLASS

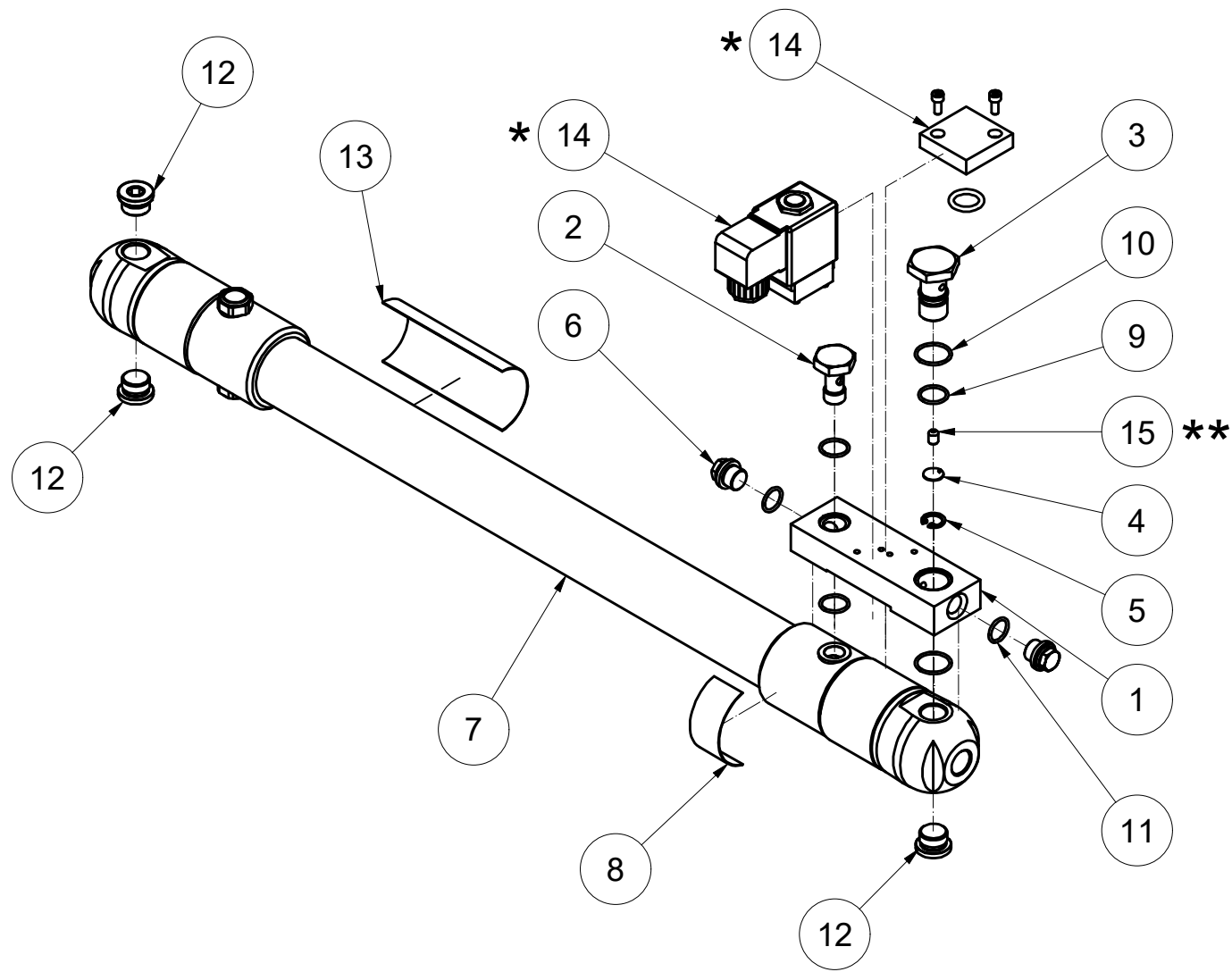
Name	INSTR. ASSEMBLY		DHM 0005 55F/DHM 0010 55F		Confidentiality Class acc. to 1102 K Internal
Material	Not Applicable				
Treatment	Not Applicable				
	Scale	1 : 2.5	Family	A3 Compare	
	Drawn by	INEBM	Blank nr.	Replaces	
STATUS	Version Drwg	00.01	Blank wt	0 Kg	Fini wt.
Released	Des checked.	Prod checked.	Approved.	Date	
				10/04/2021	
Designation					Sheet 1 / 1
					9827854903-01

CONFIDENTIAL:

This document is our property and shall not without our permission be altered, copied, used for manufacturing or communicated to any other person or company.

Ed	Position	Modified from	Date	Intr./Appd.	Parent 3D model	Ed . Version 3D
1			28/10/2021	User Agent	9827854903-M1	1

All materials supplied are in compliance with the requirements of the List of Prohibited Substances



**\*\*** Nozzle Details (Pos 15)

Part Number	Pressure
1624131815	13 bar
1624131817	10 bar
1624131820	7 bar

**Note:-**

\* For Pos no. 14 use either Solenoid valve or Cover assembly which ever is applicable for the variant.

\*\* Nozzle 7 bar will be installed on the dryer and 13 bar and 10 bar will be delivered loose.

13	1	1624134402	R	PLATE DATA	
12	3	0686371834	S	PLUG	
11	2	0663712000	S	O- RING	
10	2	0663211341	S	O- RING	
9	3	0663210436	S	O- RING	
8	1	1624170706	R	DECAL UNIT	
7	1	1624186100	R	MEMBRANE	APPM MEMBRANE PE1020
6	2	0686371659	S	PLUG	
5	1	0335 2102 12	S	CIRCLIPS	
4	1	1624132000	R	SCREEN	
3	1	1624131900	R	BOLT	
2	1	1624132300	R	BOLT	
1	1	1624156900	R	DUCT	
Pos	Qty	Partnumber	R/S	Name	Comments

**Parts List**

1			28/10/2021	User Agent	9827855003-M1	1
Ed	Position	Modified from	Date	Intr./Appd.	Parent 3D model	Ed . Version 3D

Product name	Product number	Sol.Valve/Cover Assy (Pos 14)	Solenoid valve desc
DHM 0003 100F	8102859470	1089064054	Sol. 120/60
		1089064053	Sol. 240/60
		1089064051	Sol. 230/50
		1603700665	Cover Plate

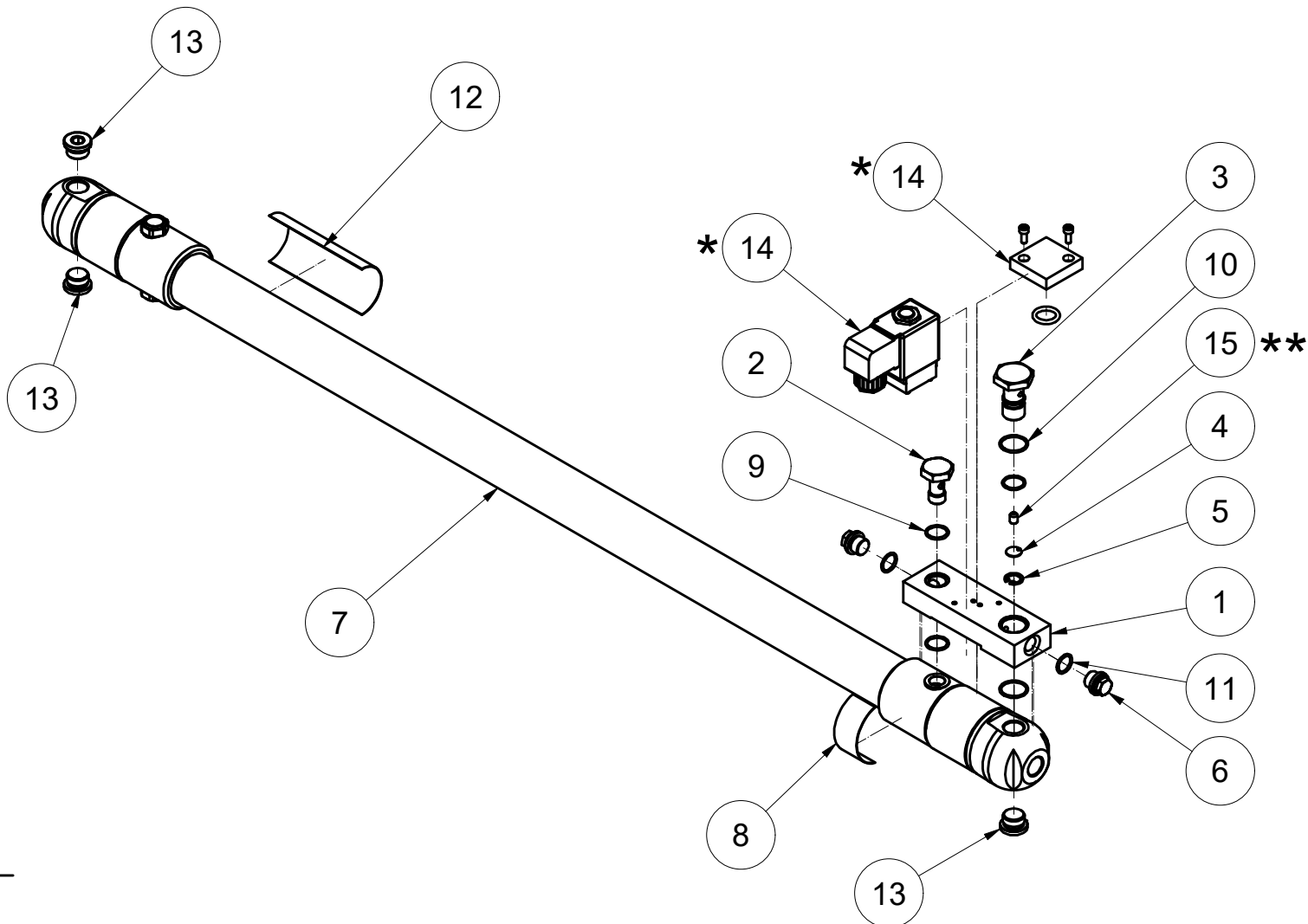
Tolerances, if not indicated, according to:			
STANDARD CLASS			

Name	INSTR. ASSEMBLY		DHM 0003 100F		Confidentiality Class
Material	Not applicable				acc. to 1102 K
Treatment	Not Applicable				Internal
					INV
	Scale	1 : 4	Family	A3	Compare
	Drawn by	INEBM	Blank nr.		Replaces
Version Drwg	00.01	Blank wt	0 Kg	Fini wt.	Designation
Des checked.		Prod checked.		Approved.	Date
STATUS		Released		10/04/2021	
					Sheet 1 / 1
					<b>9827855003-01</b>

**CONFIDENTIAL:**

This document is our property and shall not without our permission be altered, copied, used for manufacturing or communicated to any other person or company.

All materials supplied are in compliance with the requirements of the List of Prohibited Substances



**\*\*** Nozzle Details (Pos 15)

Part Number	Pressure
1624131821	13 bar
1624131825	10 bar
1624131831	7 bar

**Note:-**

\* For Pos no. 14 use either Solenoid valve or Cover assembly which ever is applicable for the variant.

\*\* Nozzle 7 bar will be installed on the dryer and 13 bar and 10 bar will be delivered loose.

13	3	0686371834	S	PLUG	
12	1	1624134402	R	PLATE DATA	
11	2	0663712000	S	O- RING	
10	2	0663211341	S	O- RING	
9	3	0663210436	S	O- RING	
8	1	1624170706	R	DECAL UNIT	
7	1	1624186200	R	MEMBRANE	APPM MEMBRANE PE1030
6	2	0686371659	S	PLUG	
5	1	0335 2102 12	S	CIRCLIPS	
4	1	1624132000	R	SCREEN	
3	1	1624131900	R	BOLT	
2	1	1624132300	R	BOLT	
1	1	1624156900	R	DUCT	
Pos	Qty	Partnumber	R/S	Name	Comments

**Parts List**

1			28/10/2021	User Agent	9827855103-M1	1
Ed	Position	Modified from	Date	Intr./Appd.	Parent 3D model	Ed . Version 3D

Product name	Product number	Sol.Valve/Cover Assy (Pos 14)	Solenoid valve desc
DHM 0007 100F	8102859488	1089064054	Sol. 120/60
		1089064053	Sol. 240/60
		1089064051	Sol. 230/50
		1603700665	Cover Plate

Tolerances, if not indicated, according to:  
STANDARD CLASS

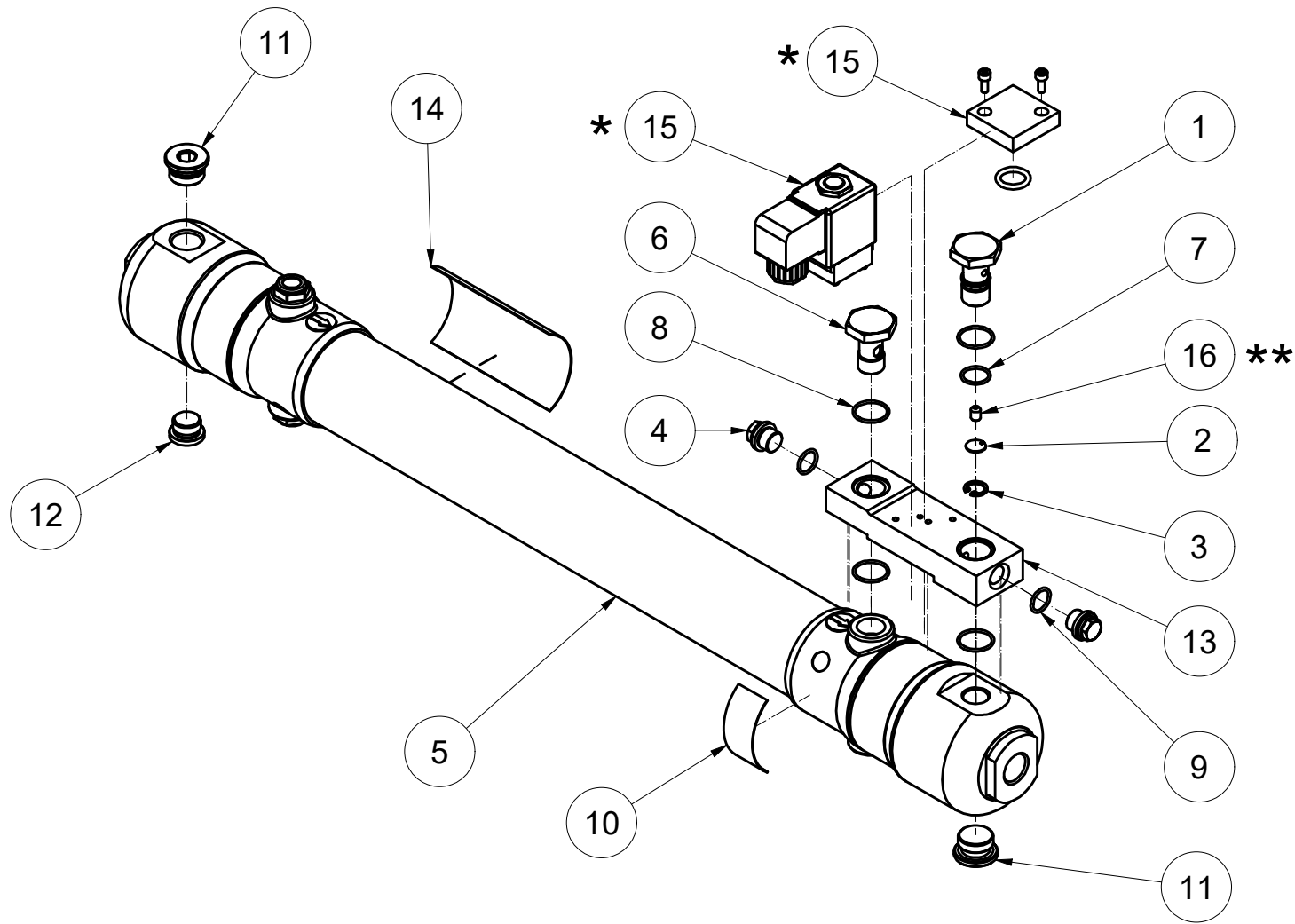
Name	INSTR. ASSEMBLY		DHM 0007 100F		Confidentiality Class	
Material	Not applicable				acc. to 1102 K	
Treatment	Not Applicable				Internal	
	Scale	1 : 5	Family	A3	Compare	Drawing owner
	Drawn by	INEBM	Blank nr.		Replaces	API
STATUS	Version Drwg	00.01	Blank wt	0 Kg	Fini wt.	Designation
Released	Des checked.		Prod checked.		Approved.	Date
						10/04/2021
						Sheet 1 / 1
						<b>9827855103-01</b>

**CONFIDENTIAL:**

This document is our property and shall not without our permission be altered, copied, used for manufacturing or communicated to any other person or company.



All materials supplied are in compliance with the requirements of the List of Prohibited Substances



**	Nozzle Details (Pos 16)		
	7 bar	10 bar	13 bar
DHM 0030 55F	1624131855	1624131852	1624131843
DHM 0020 55F	1624131843	1624131837	1624131832

**Note:-**

\* For Pos no. 15 use either Solenoid valve or Cover assembly which ever is applicable for the variant.

\*\* Nozzle 7 bar will be installed on the dryer and 13 bar and 10 bar will be delivered loose.

Product name	Product number	Sol.Valve/Cover Assy (Pos 15)	Solenoid valve desc
DHM 0030 55F	8102859579	1089064054	Sol. 120/60
		1089064053	Sol. 240/60
		1089064051	Sol. 230/50
		1603700665	Cover Plate
		1603700665	Cover Plate
DHM 0020 55F	8102859561	1089064054	Sol. 120/60
		1089064053	Sol. 240/60
		1089064051	Sol. 230/50
		1603700665	Cover Plate
		1603700665	Cover Plate

Tolerances, if not indicated, according to:			
STANDARD CLASS			

Name	INSTR. ASSEMBLY	DHM 0020 55F/DHM 0030 55F	Confidentiality Class acc. to 1102 K Internal
Material	Not Applicable		INV
Treatment	Not Applicable		INV

	Scale	1 : 4	Family	A3 Compare	Drawing owner API
	Drawn by	INEBM	Blank nr.	Replaces	
Version Drwg	00.01	Blank wt	0 Kg	Fini wt.	Designation
STATUS	Released	Des checked.	Prod checked.	Approved.	Date
					Sheet 1 / 1
					9827855203-01

Pos	Qty	Partnumber	R/S	Name	Comments
14	1	1624134402	R	PLATE DATA	
13	1	1624157000	R	DUCT	
12	1	0686371834	S	PLUG	
11	2	0686371832	S	PLUG	
10	1	1624170706	R	DECAL UNIT	
9	2	0663712000	S	O- RING	
8	4	0663211341	S	O- RING	
7	1	0663210436	S	O- RING	
6	1	1624132400	R	BOLT	
5	1	1624186300	R	MEMBRANE	APPM MEMBRANE PE2020
4	2	0686371659	S	PLUG	
3	1	0335 2102 12	S	CIRCLIPS	
2	1	1624132000	R	SCREEN	
1	1	1624131900	R	BOLT	

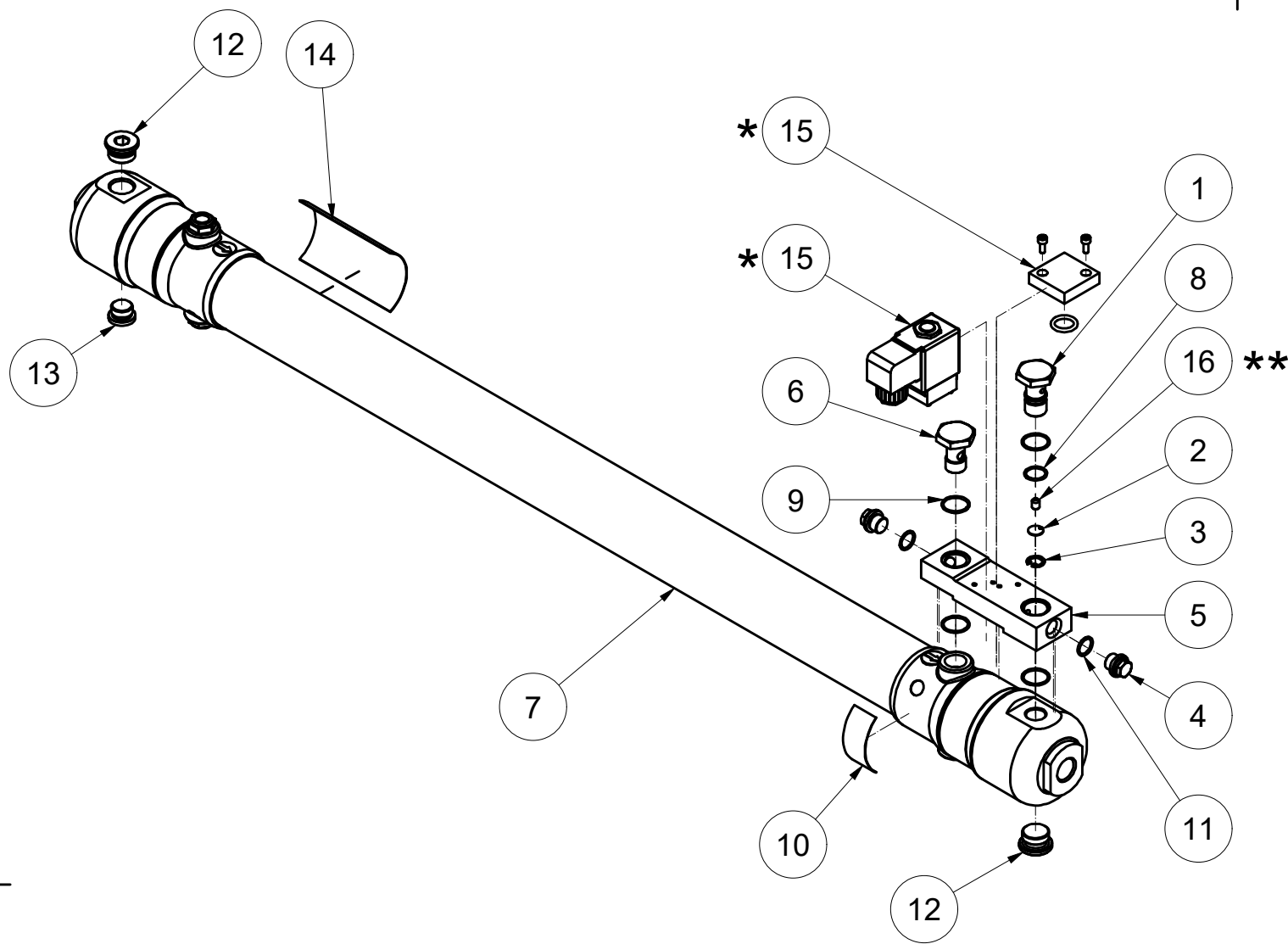
**Parts List**

1			28/10/2021	User Agent	9827855203-M1	1
Ed	Position	Modified from	Date	Intr./Appd.	Parent 3D model	Ed . Version 3D

CONFIDENTIAL:

This document is our property and shall not without our permission be altered, copied, used for manufacturing or communicated to any other person or company.

All materials supplied are in compliance with the requirements of the List of Prohibited Substances



**\*\***

Nozzle Details (Pos 16)			
	7 bar	10 bar	13 bar
DHM 0019 100F	1624131847	1624131841	1624131835
DHM 0013 100F	1624131838	1624131832	1624131828

**Note:-**

\* For Pos no. 15 use either Solenoid valve or Cover assembly which ever is applicable for the variant.

\*\* Nozzle 7 bar will be installed on the dryer and 13 bar and 10 bar will be delivered loose.

Product name	Product number	Sol.Valve/Cover Assy (Pos 15)	Solenoid valve desc
DHM 0019 100F	8102859504	1089064054	Sol. 120/60
		1089064053	Sol. 240/60
		1089064051	Sol. 230/50
		1603700665	Cover Plate
DHM 0013 100F	8102859496	1089064054	Sol. 120/60
		1089064053	Sol. 240/60
		1089064051	Sol. 230/50
		1603700665	Cover Plate

Tolerances, if not indicated, according to:			
STANDARD CLASS			

Name	INSTR. ASSEMBLY	DHM 0013 100F/DHM 0019 100F	Confidentiality Class acc. to 1102 K Internal
Material	Not applicable		INV
Treatment	Not Applicable		

	Scale	1 : 5	Family	A3 Compare	Drawing owner API
	Drawn by	INEBM	Blank nr.	Replaces	
Version Drwg	00.01	Blank wt	0 Kg	Fini wt.	Designation
STATUS	Released	Des checked.	Prod checked.	Approved.	Date
					Sheet 1 / 1
					9827855303-01

Pos	Qty	Partnumber	R/S	Name	Comments
14	1	1624134402	R	PLATE DATA	
13	1	0686371834	S	PLUG	
12	2	0686371832	S	PLUG	
11	2	0663712000	S	O- RING	
10	1	1624170706	R	DECAL UNIT	
9	4	0663211341	S	O- RING	
8	1	0663210436	S	O- RING	
7	1	1624186400	R	MEMBRANE	APPM MEMBRANE PE2030
6	1	1624132400	R	BOLT	
5	1	1624157000	R	DUCT	
4	2	0686371659	S	PLUG	
3	1	0335 2102 12	S	CIRCLIPS	
2	1	1624132000	R	SCREEN	
1	1	1624131900	R	BOLT	

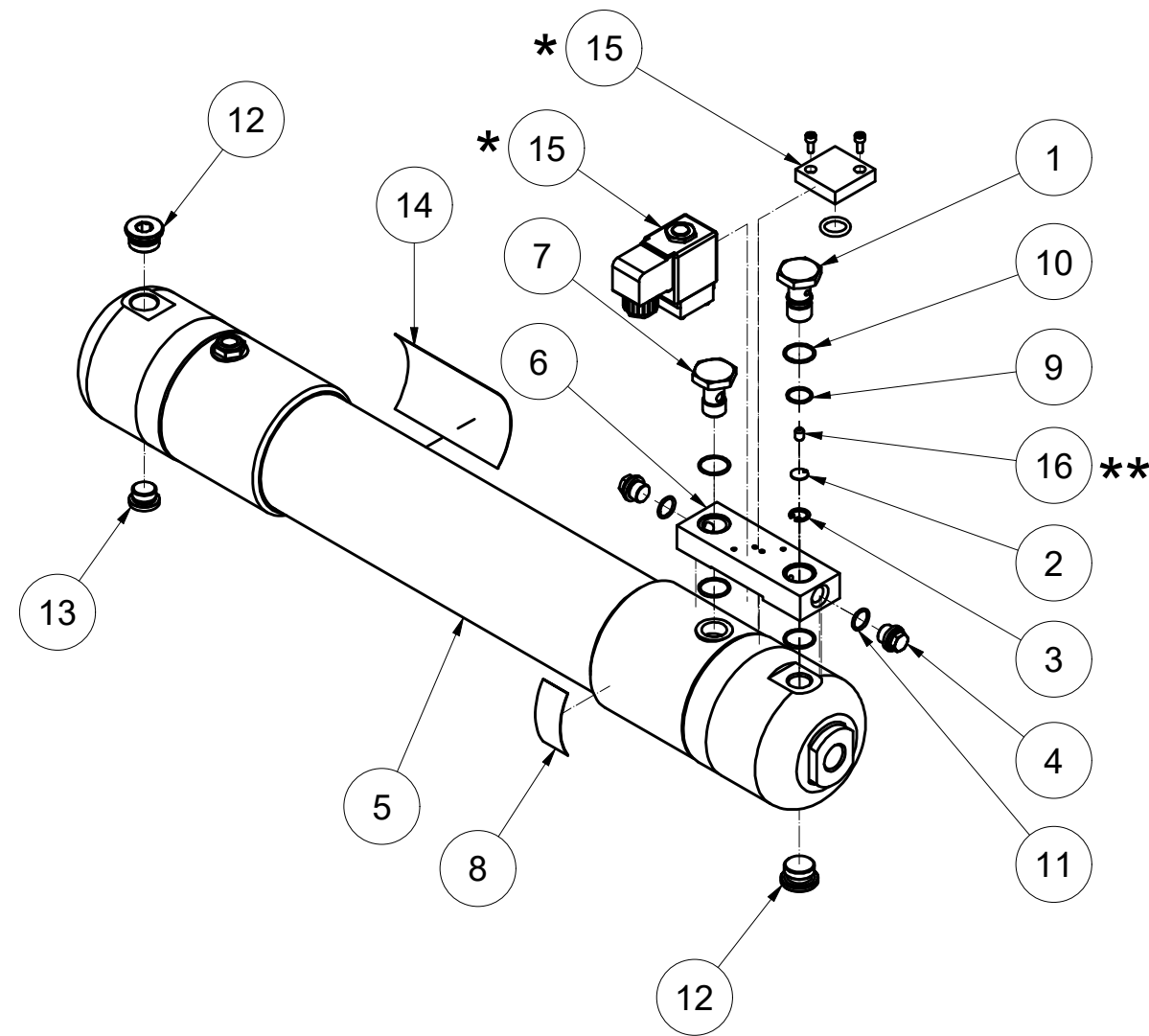
**Parts List**

1		28/10/2021	User Agent	9827855303-M1	1
Ed	Position	Modified from	Date	Intr./Appd.	Parent 3D model
					Ed . Version 3D

**CONFIDENTIAL:**

This document is our property and shall not without our permission be altered, copied, used for manufacturing or communicated to any other person or company.

All materials supplied are in compliance with the requirements of the List of Prohibited Substances



\*\*

Nozzle Details (Pos 16)			
	7 bar	10 bar	13 bar
DHM 0050 55F	1624131870	1624131860	1624131852
DHM 0040 55F	1624131860	1624131852	1624131843

**Note:-**

\* For Pos no. 15 use either Solenoid valve or Cover assembly which ever is applicable for the variant.

\*\* Nozzle 7 bar will be installed on the dryer and 13 bar and 10 bar will be delivered loose.

Product name	Product number	Sol.Valve/Cover Assy (Pos 15)	Solenoid valve desc
DHM 0050 55F	8102859595	1089064054	Sol. 120/60
		1089064053	Sol. 240/60
		1089064051	Sol. 230/50
		1603700665	Cover Plate
DHM 0040 55F	8102859587	1089064054	Sol. 120/60
		1089064053	Sol. 240/60
		1089064051	Sol. 230/50
		1603700665	Cover Plate

Tolerances, if not indicated, according to:  
STANDARD CLASS

Name	INSTR. ASSEMBLY	DHM 0050 55F/DHM 0040 55F	Confidentiality Class acc. to 1102 K Internal
Material	Not applicable		INV
Treatment	Not Applicable		INV

	Scale	1 : 5	Family	A3 Compare	Drawing owner API
	Drawn by	INEBM	Blank nr.	Replaces	
STATUS	Version Drwg	01.00	Blank wt	0 Kg	Fini wt.
Released	Des checked.	Prod checked.	Approved.	Date	10/04/2021
	Designation				Sheet 1 / 1
					9827855403-01

Pos	Qty	Partnumber	R/S	Name	Comments
14	1	1624134402	R	PLATE DATA	
13	1	0686371834	S	PLUG	
12	2	0686371832	S	PLUG	
11	2	0663712000	S	O- RING	
10	4	0663211341	S	O- RING	
9	1	0663210436	S	O- RING	
8	1	1624170706	R	DECAL UNIT	
7	1	1624132400	R	BOLT	
6	1	1624157100	R	DUCT	
5	1	1624186500	R	MEMBRANE	APPM MEMBRANE PE3020
4	2	0686371659	S	PLUG	
3	1	0335 2102 12	S	CIRCLIPS	
2	1	1624132000	R	SCREEN	
1	1	1624131900	R	BOLT	

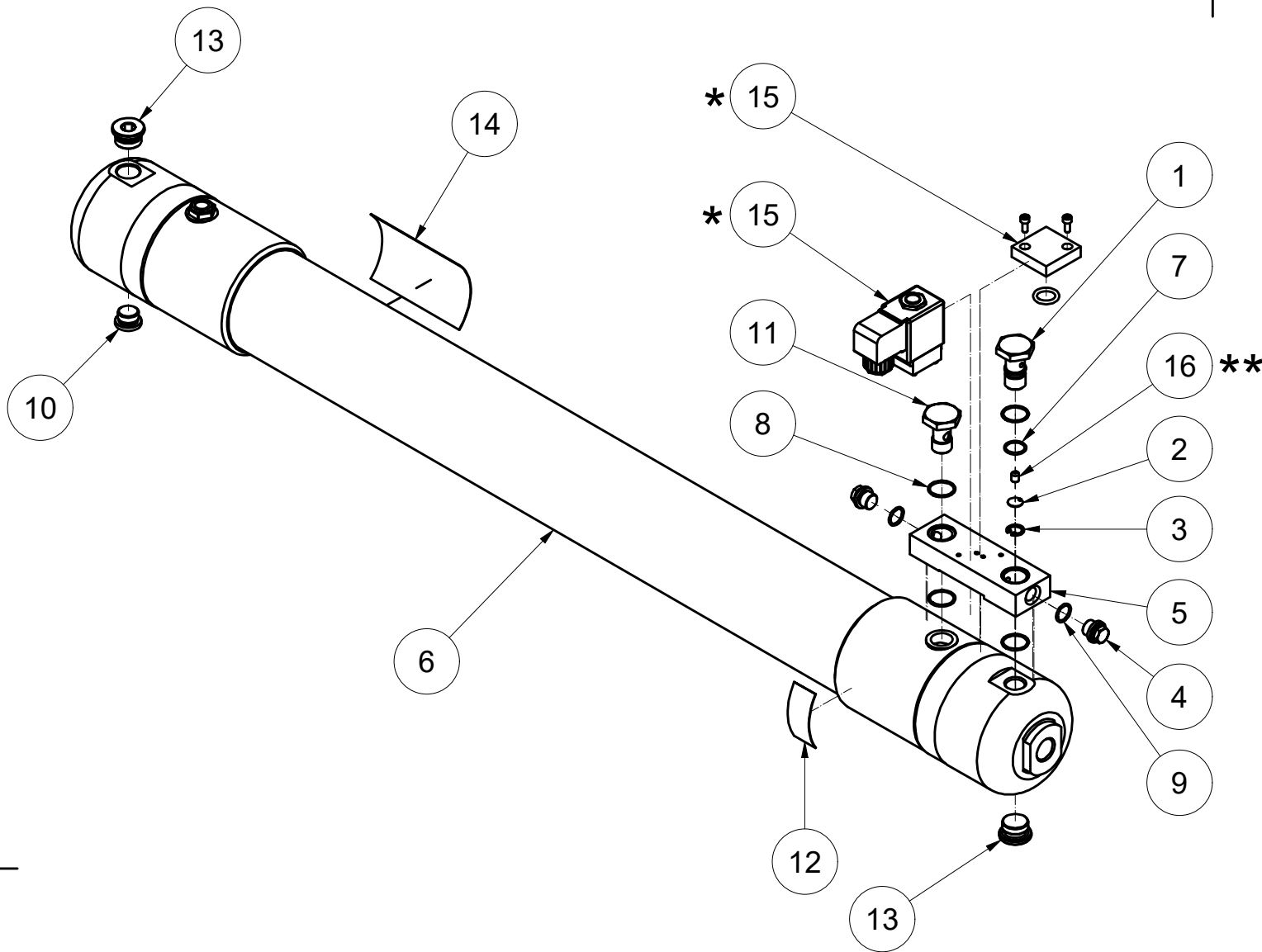
1			28/10/2021	User Agent	9827855403-M1	1
Ed	Position	Modified from	Date	Intr./Appd.	Parent 3D model	Ed . Version 3D

CONFIDENTIAL:

This document is our property and shall not without our permission be altered, copied, used for manufacturing or communicated to any other person or company.



All materials supplied are in compliance with the requirements of the List of Prohibited Substances



**\*\***

Nozzle Details (Pos 16)			
	7 bar	10 bar	13 bar
DHM 0036 100F	1624131867	1624131855	1624131847
DHM 0028 100F	1624131855	1624131847	1624131842

**Note:-**

\* For Pos no. 15 use either Solenoid valve or Cover assembly which ever is applicable for the variant.

\*\* Nozzle 7 bar will be installed on the dryer and Nozzle 13 bar and 10 bar will be delivered loose.

14	1	1624134402	R	PLATE DATA	
13	2	0686371832	S	PLUG	
12	1	1624170706	R	DECAL UNIT	
11	1	1624132400	R	BOLT	
10	1	0686371834	S	PLUG	
9	2	0663712000	S	O- RING	
8	4	0663211341	S	O- RING	
7	1	0663210436	S	O- RING	
6	1	1624186600	R	MEMBRANE	APPM MEMBRANE PE3030
5	1	1624157100	R	DUCT	
4	2	0686371659	S	PLUG	
3	1	0335 2102 12	S	CIRCLIPS	
2	1	1624132000	R	SCREEN	
1	1	1624131900	R	BOLT	
Pos	Qty	Partnumber	R/S	Name	Comments

**Parts List**

1			28/10/2021	User Agent	9827855503-M1	1
Ed	Position	Modified from	Date	Intr./Appd.	Parent 3D model	Ed . Version 3D

Product name	Product number	Sol.Valve/Cover Assy (Pos 15)	Solenoid valve desc
DHM 0036 100F	8102859520	1089064054	Sol. 120/60
		1089064053	Sol. 240/60
		1089064051	Sol. 230/50
		1603700665	Cover Plate
DHM 0028 100F	8102859512	1089064054	Sol. 120/60
		1089064053	Sol. 240/60
		1089064051	Sol. 230/50
		1603700665	Cover Plate

Tolerances, if not indicated, according to:			
STANDARD CLASS			

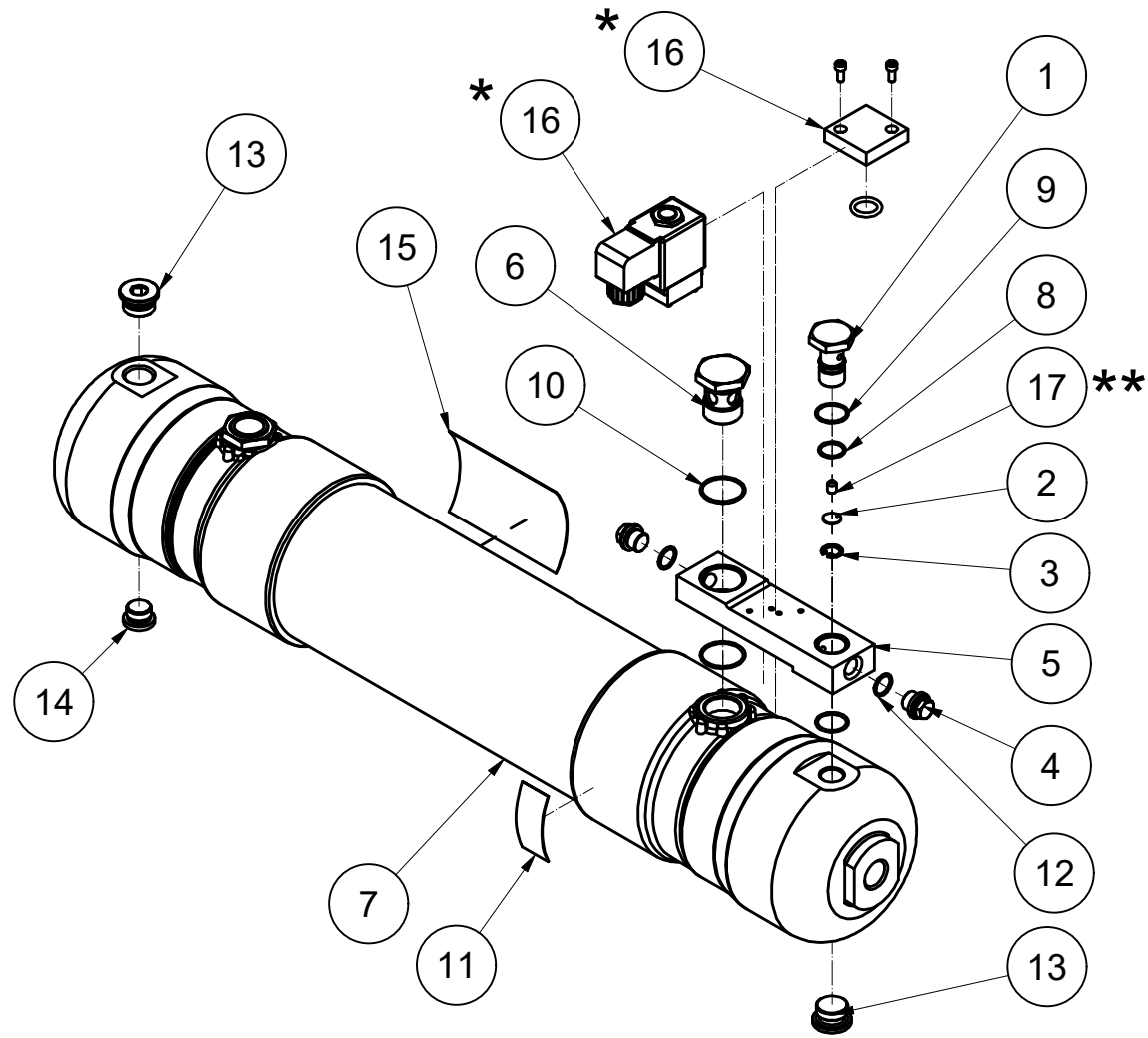
Name	INSTR. ASSEMBLY	DHM 0036 100F/DHM 0028 100F	Confidentiality Class acc. to 1102 K Internal
Material	Not applicable		INV
Treatment	Not Applicable		

	Scale	1 : 5	Family	A3 Compare	Drawing owner API
	Drawn by	INEBM	Blank nr.	Replaces	
Version Drwg	00.01	Blank wt	0 Kg	Fini wt.	Designation
STATUS	Released	Des checked.	Prod checked.	Approved.	Date
					Sheet 1 / 1
					9827855503-01

**CONFIDENTIAL:**

This document is our property and shall not without our permission be altered, copied, used for manufacturing or communicated to any other person or company.

All materials supplied are in compliance with the requirements of the List of Prohibited Substances



**\*\***

Nozzle Details (Pos 17)		
Part Number	Pressure	
1624131870	10 bar	
1624131881	7 bar	without sol. valve
1624131886	7 bar	with sol. valve

**Note:-**

\* For Pos no. 16 use either Solenoid valve or Cover assembly which ever is applicable for the variant.

\*\* Nozzle 7 bar will be installed on the dryer and Nozzle 10 bar will be delivered loose.

Product name	Product number	Sol.Valve/Cover Assy (Pos 16)	Solenoid valve desc
DHM 0075 55F	8102859603	1089064054	Sol. 120/60
		1089064053	Sol. 240/60
		1089064051	Sol. 230/50
		1603700665	Cover Plate

Tolerances, if not indicated, according to:			
STANDARD CLASS			

Name	INSTR. ASSEMBLY	DHM 0075 55F	Confidentiality Class acc. to 1102 K
Material	Not applicable		Internal
Treatment	Not Applicable		INV

	Scale	1 : 5	Family	A3 Compare	
	Drawn by	INEBM	Blank nr.	Replaces	
Version Drwg	00.00	Blank wt	0 Kg	Fin. wt.	Designation
STATUS	Released	Des checked.	Prod checked.	Approved.	Date
					Sheet 1 / 1
					9827855603-01

Pos	Qty	Partnumber	R/S	Name	Comments
15	1	1624134402	R	PLATE DATA	
14	1	0686371834	S	PLUG	
13	2	0686371832	S	PLUG	
12	2	0663712000	S	O- RING	
11	1	1624170706	R	DECAL UNIT	
10	2	0663211342	S	O- RING	
9	2	0663211341	S	O- RING	
8	1	0663210436	S	O- RING	
7	1	1624186700	R	MEMBRANE	APPM MEMBRANE PE4020
6	1	1624132500	R	BOLT	
5	1	1624157200	R	DUCT	
4	2	0686371659	S	PLUG	
3	1	0335 2102 12	S	CIRCLIPS	
2	1	1624132000	R	SCREEN	
1	1	1624131900	R	BOLT	

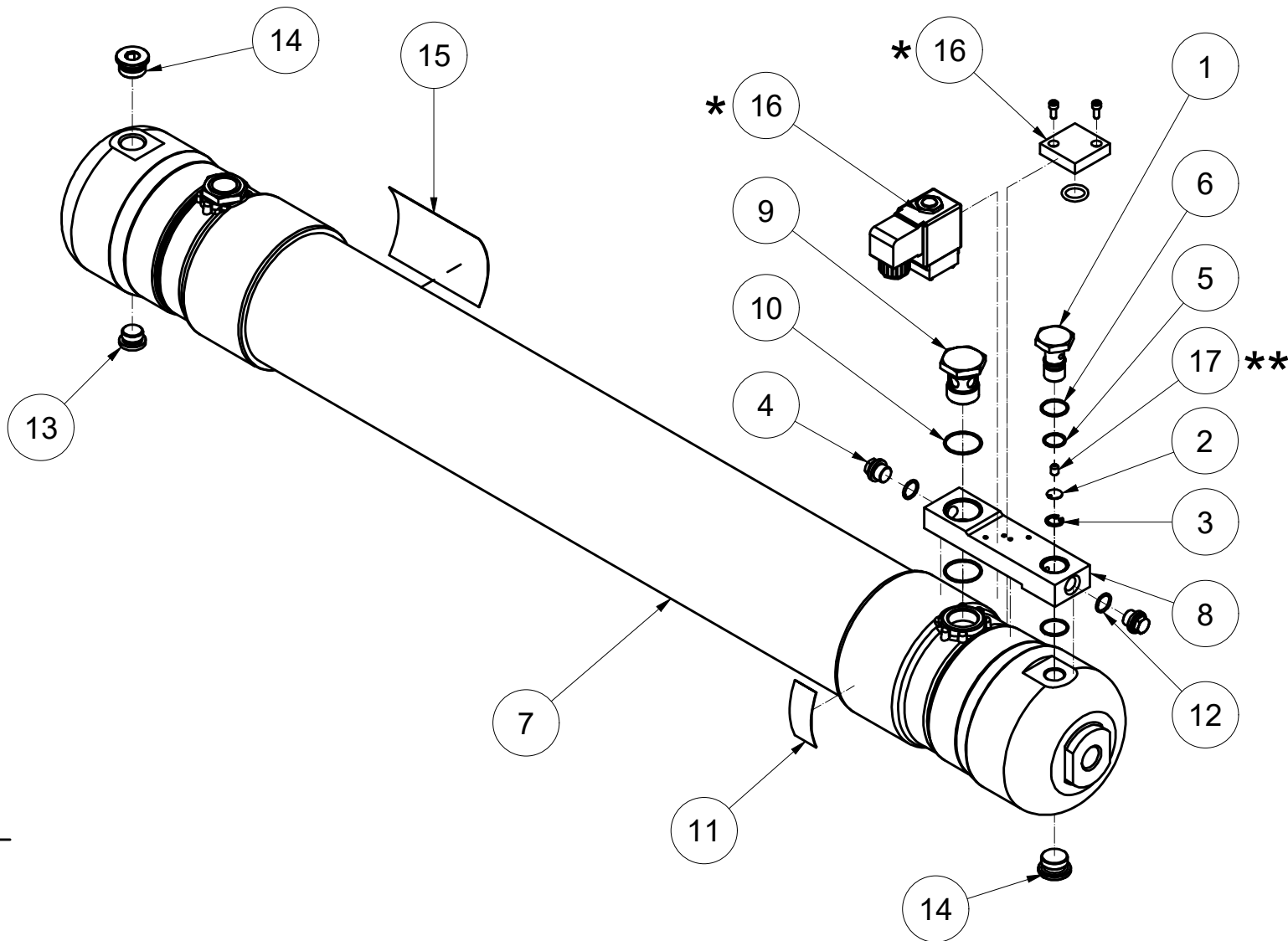
  

Ed	Position	Modified from	Date	Intr./Appd.	Parent 3D model	Ed . Version 3D
1			28/10/2021	User Agent	9827855603-M1	1

CONFIDENTIAL:

This document is our property and shall not without our permission be altered, copied, used for manufacturing or communicated to any other person or company.

All materials supplied are in compliance with the requirements of the List of Prohibited Substances



**\*\*** Nozzle Details (Pos 17)

Part Number	Pressure	
1624131860	13 bar	
1624131867	10 bar	
1624131881	7 bar	without sol. valve
1624131894	7 bar	with sol. valve

**Note:-**

\* For Pos no. 16 use either Solenoid valve or Cover assembly which ever is applicable for the variant.

\*\* Nozzle 7 bar will be installed on the dryer and Nozzle 13 bar and 10 bar will be delivered loose.

15	1	1624134402	R	PLATE DATA	
14	2	0686371832	S	PLUG	
13	1	0686371834	S	PLUG	
12	2	0663712000	S	O- RING	
11	1	1624170706	R	DECAL UNIT	
10	2	0663211342	S	O- RING	
9	1	1624132500	R	BOLT	
8	1	1624157200	R	DUCT	
7	1	1624186800	R	MEMBRANE	APPM MEMBRANE PE4030
6	2	0663211341	S	O- RING	
5	1	0663210436	S	O- RING	
4	2	0686371659	S	PLUG	
3	1	0335 2102 12	S	CIRCLIPS	
2	1	1624132000	R	SCREEN	
1	1	1624131900	R	BOLT	
Pos	Qty	Partnumber	R/S	Name	Comments

**Parts List**

1			28/10/2021	User Agent	9827855703-M1	1
Ed	Position	Modified from	Date	Intr./Appd.	Parent 3D model	Ed . Version 3D

Product name	Product number	Sol.Valve/Cover Assy (Pos 16)	Solenoid valve desc
DHM 0055 100F	8102859538	1089064054	Sol. 120/60
		1089064053	Sol. 240/60
		1089064051	Sol. 230/50
		1603700665	Cover Plate

Tolerances, if not indicated, according to:			
STANDARD CLASS			

Name	INSTR. ASSEMBLY	DHM 0055 100F	Confidentiality Class acc. to 1102 K
Material	Not applicable		Internal
Treatment	Not Applicable		INV

	Scale	1 : 5	Family	A3 Compare	
	Drawn by	INEBM	Blank nr.	Replaces	
Version Drwg	00.00	Blank wt	0 Kg	Fini wt.	Designation
STATUS	Released	Des checked.	Prod checked.	Approved.	Date
					Sheet 1 / 1
					<b>9827855703-01</b>

CONFIDENTIAL:

This document is our property and shall not without our permission be altered, copied, used for manufacturing or communicated to any other person or company.