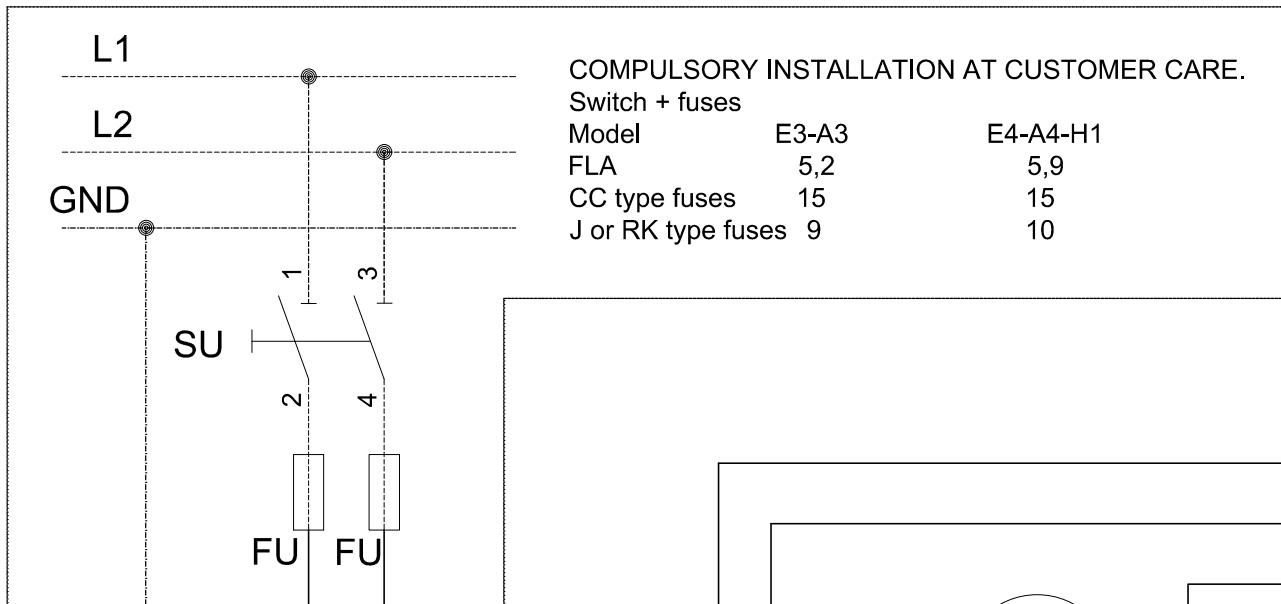
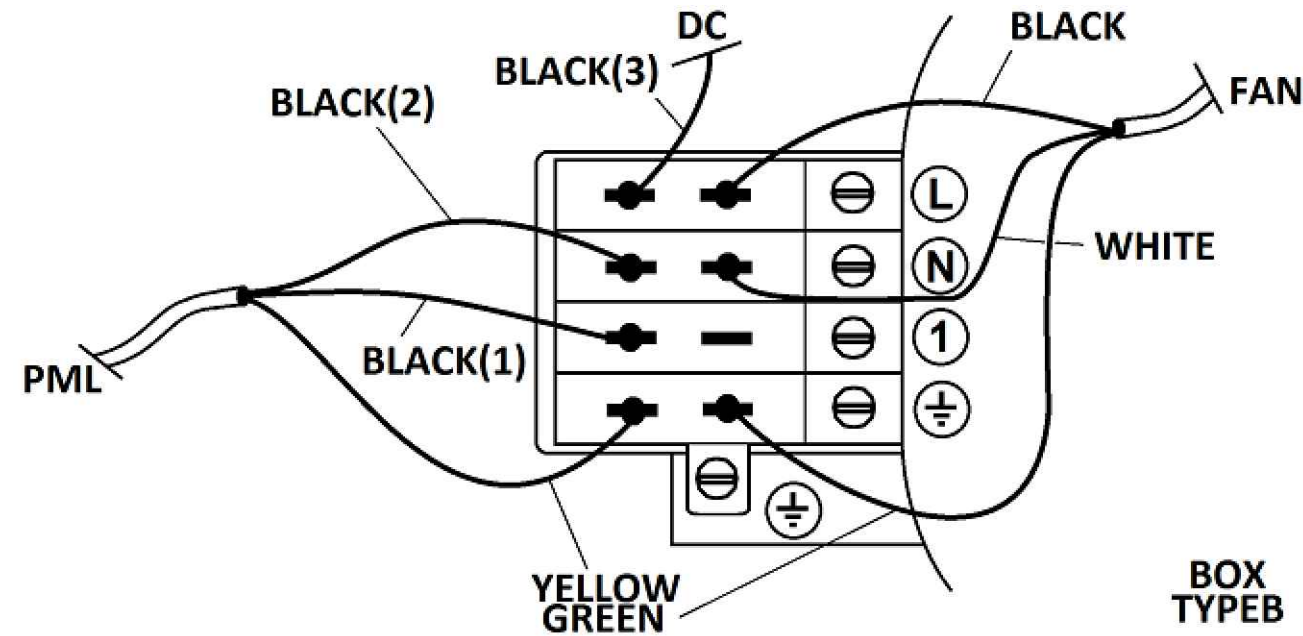
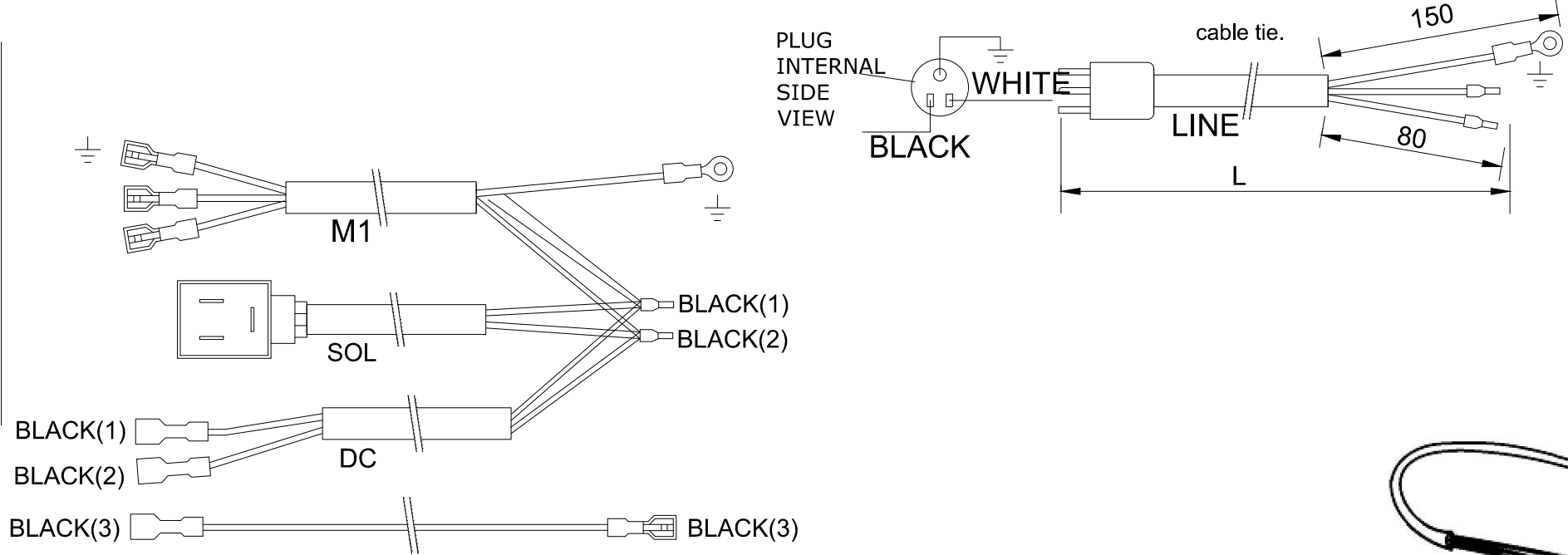
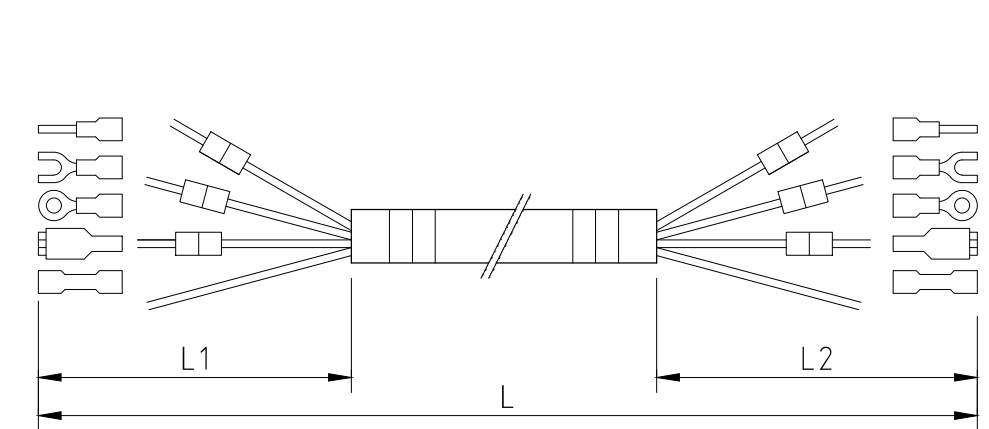


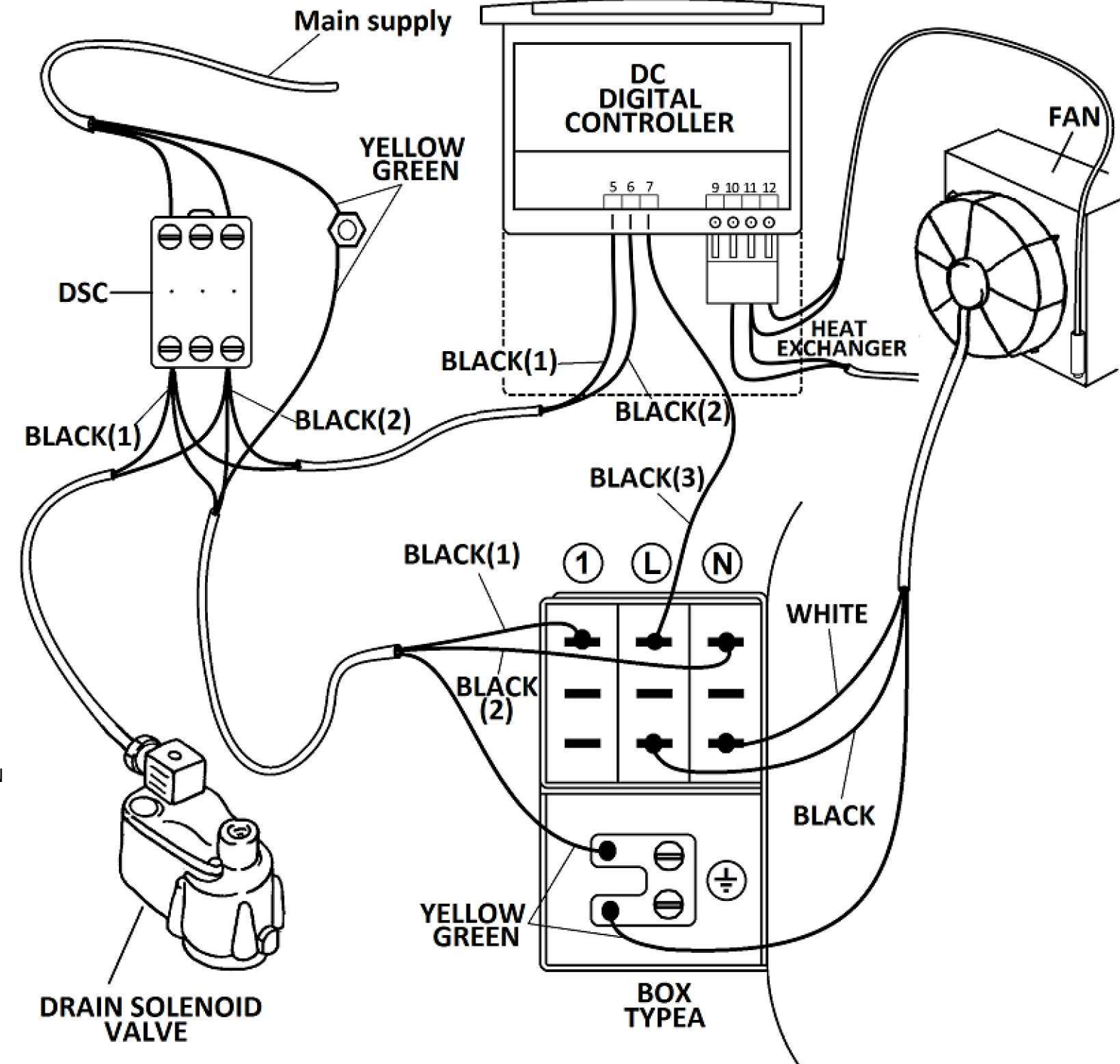
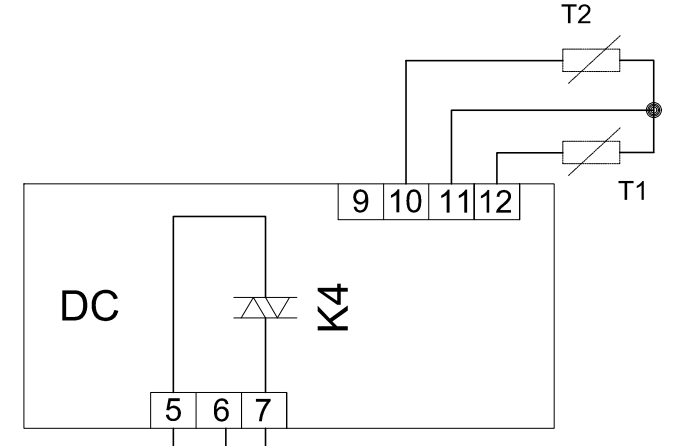
CABLE BILL OF MATERIALS			SIDE A		SIDE B		
CABLE FOR	LENGT H mm	CABLE TYPE	L1 mm	TERMINAL TYPE	L2 mm	TERMINAL TYPE	NOTES
MAIN SUPPLY	4000	AWG14 3G2,5	-	NEMA5 - 15P	80 -150GND	2xBF-P10 + S2,5-M6	LISTED SJ, SJT, SJTO,SJOOW,SJTOW
MOTOR M1 (*1)	850	AWG14 3G2,5	100	2xBF-F 608 + 160831-3(GND)	80 -150GND	2xGF-P10 + S2,5-M6	
FAN M2	-	-	-	-	-	-	style 2587 or 2550 or 21098 or 21216 or equivalent
DIGITAL CONTROLLER DC	450	AWG18 2x1	100	2xRF-F 608P	50	-	
SOLENOID VALVE SOL	1250	AWG18 2x1	-	43650/B **	80	-	style 1015 90°
OUTPUT RELAY FOR FAN	850	AWG18 1mm2 N07V-K black	-	RF-F 608P	-	RF-F 608	

(*1) cable $\Phi_{ext} \leq 8,6mm$



COMPULSORY INSTALLATION AT CUSTOMER CARE.

Model	E3-A3	E4-A4-H1
Switch + fuses		
FLA	5,2	5,9
CC type fuses	15	15
J or RK type fuses	9	10



- * FIELD INSTALLED
- ** SUPPLY WITHOUT GASKET
FIX THE SCREW WITH ADHESIVE TAPE
- SU DISCONNECTOR SWITCH
- FU FUSES CUSTOMER CARE INSTALLATION
- DSC DISCONNECTOR SWITCH
- SL LEVEL SWITCH
- EV DRAIN SOLENOID VALVE
- M1 COMPRESSOR MOTOR
- M2 FAN MOTOR
- K1 OVERLOAD RELAY
- K2 STARTING RELAY
- K4 FAN SWITCH
- C STARTING CAPACITOR
- T1 TEMPERATURE SENSOR NTC (P1)
- T2 TEMPERATURE SENSOR NTC (P2)
- DC DIGITAL CONTROLLER

WIRE HARNESS 2205044031 A3-4 / E3-4 115/60 UL
DIAGRAM SERVICE EQUIVALENT TO 2205044039

Note	Position	Modified from	Date	Intr./Appd.
03		Title block updated & DN 220541 17 and CID28208	04-04-2022	

03	Tolerances, if not indicated, according to:		General tolerances		
			1350K - V		
Name		SERVICE DIAGRAM		E3-4, A3-4 115/60 UL EL CONTROL	
Material		See Drawing		Confidentiality class acc. to 1102 K	
Treatment		Not Applicable		Internal	
				ACDE	
Scale		--		Family	
Drawn by		Blank nr.		Compare	
Drawing format		Blank wt.		Replaces	
A2		Kg		CAI	
STATUS		Approved.		Date	
Des checked.		Prod checked.		10/11/2020	
Parent 3D Model		Ed.Version 3D		Designation	
				Sheet () 01 01	
		Approved Internal		2205044030	

CONFIDENTIAL: This document is property of Atlas Copco AB and shall not be distributed or used for manufacturing or communication to any other person or company.