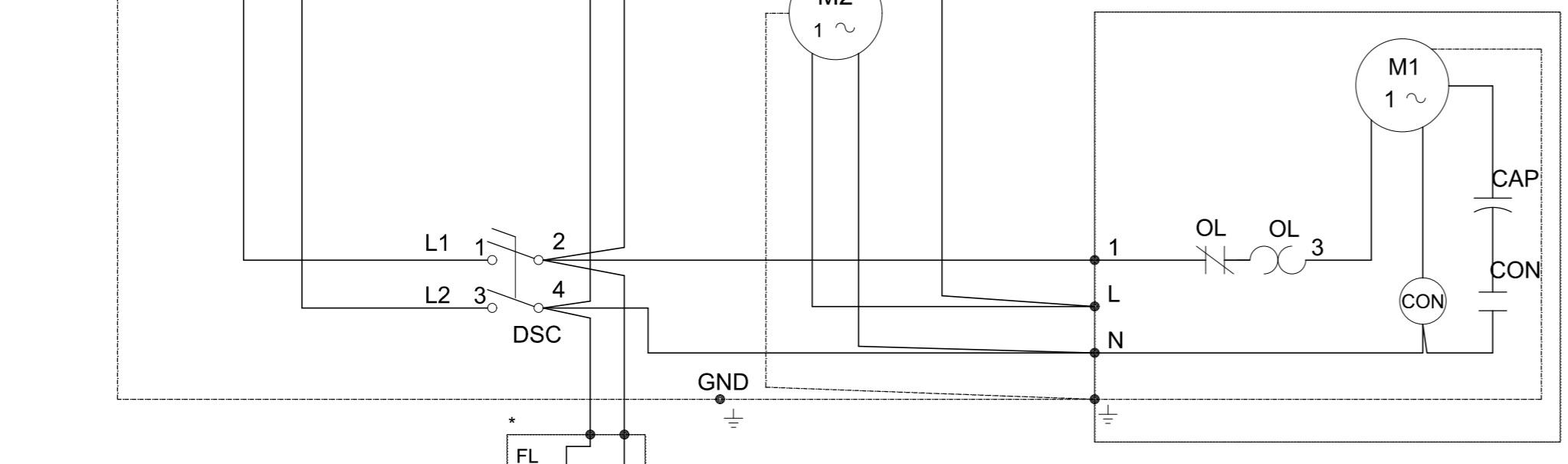
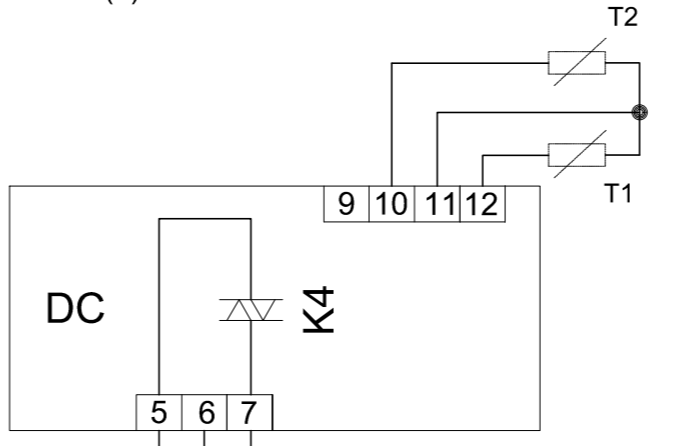
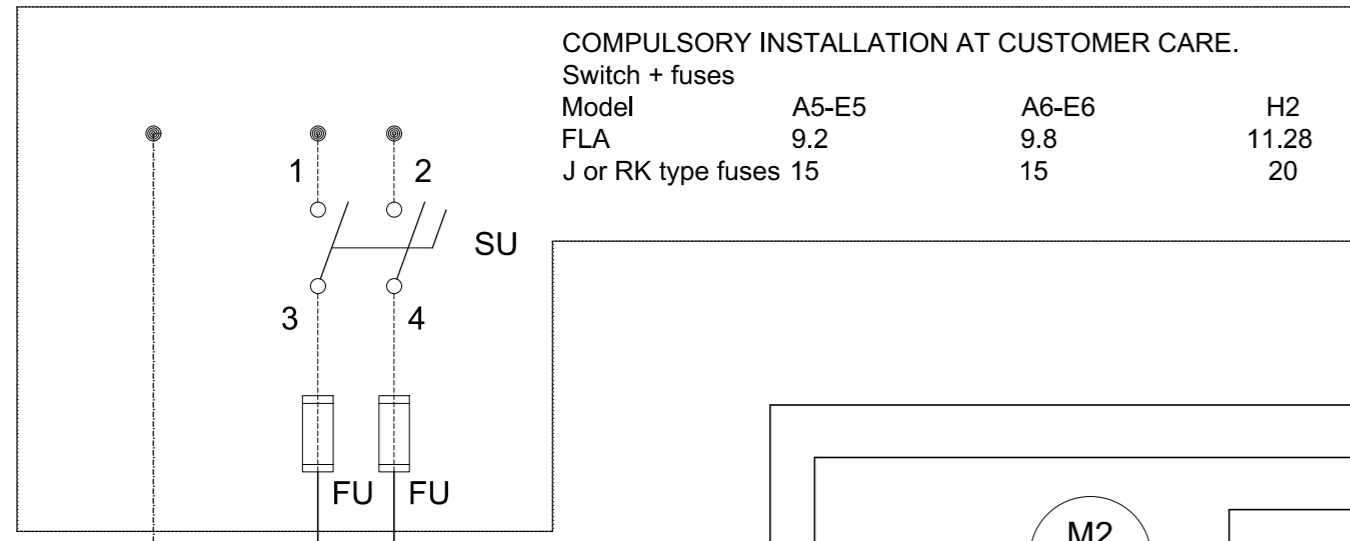
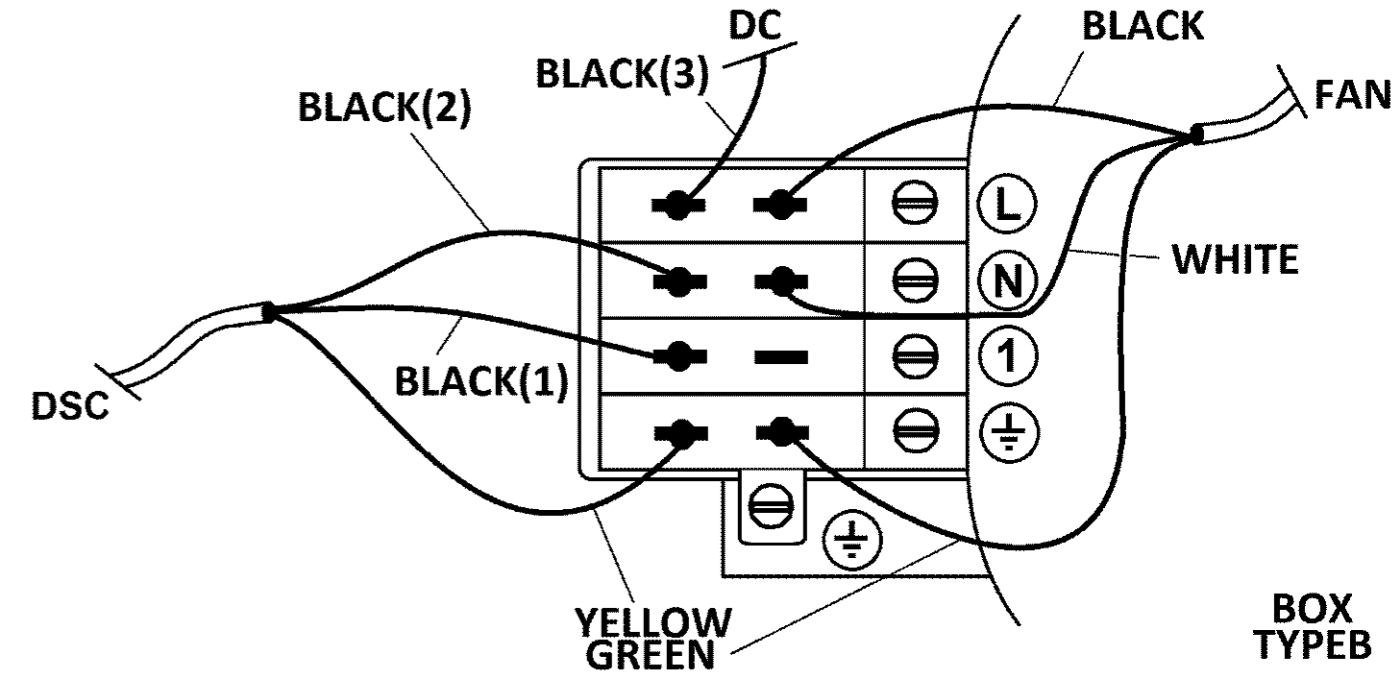
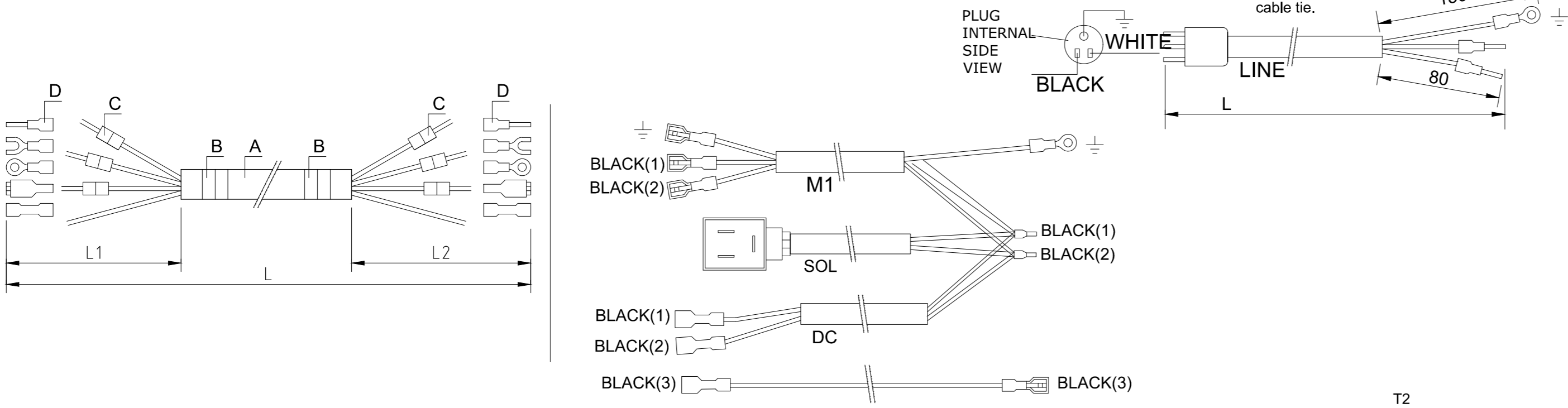


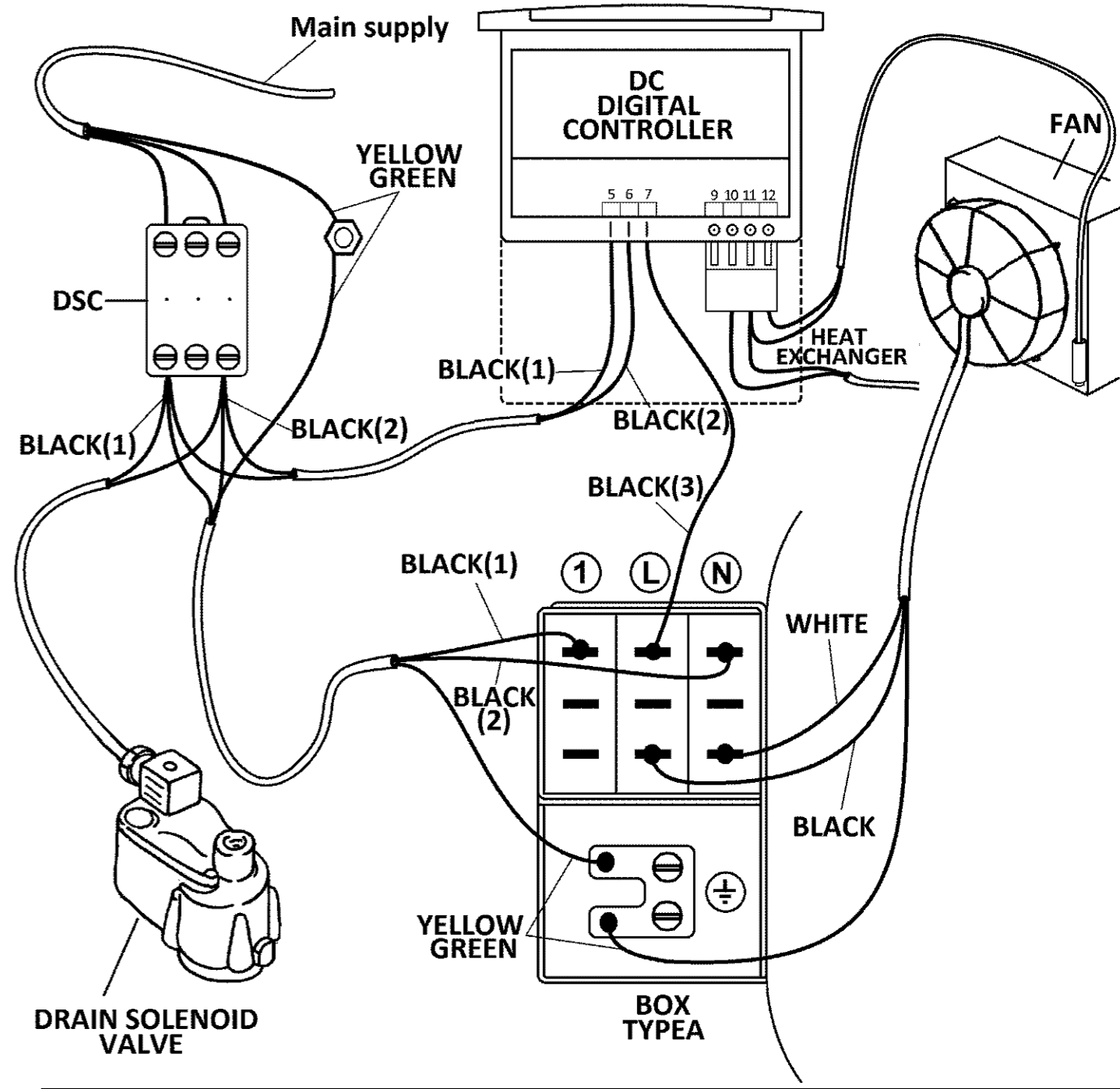
CABLE FOR	LENGTH mm	CABLE TYPE	L1 mm	TERMINAL TYPE	L2 mm	TERMINAL TYPE	NOTES
MAIN SUPPLY	4000	AWG14 3G2,5	-	NEMA5 - 15P	80 -150GND	2xBF-P10 + S2,5-M6	LISTED SJ, SJT, SJTO,SJOOW,SJTOW
MOTOR M1 (*)	1120	AWG14 3G2,5	100	2xBF-F608+160831-3(GND)	80 -150GND	2xGF-P10+ S2,5-M6	style 2587 or 2550 or 21098 or 21216 or equivalent
FAN M2	-	-	-	-	-	-	
DIGITAL CONTROLLER DC	450	AWG18 2x1	100	2xRF-F 608P	80	-	style 1015 90°
SOLENOID VALVE SOL	850	AWG18 2x1	-	43650/B **	80	-	
OUTPUT RELAY FOR FAN	1400	AWG18 1mm2 black	-	RF-F 608P	-	RF-F 608	

ID	DESCRIPTION	TYPE	MANUFACTOR	CODE	QUANT.	POSITION
DSC	SWITCH	OT25FT3	ABB	1089949849	1	
	HANDLE	OHBS3RH	ABB	1089949850	1	
	Plastic cable tie	5203	ITW			
		320-30	LEGRAND			
	CABLE GLAND	M25X1,5 (7-13mm)		0698514122	1	
	NUT	M25x1,5		0697980954	1	

(*) cable SAB BROECKSKES CC600 (Φ ≤ 8,6mm)



- * FIELD INSTALLED
- ** SUPPLY WITHOUT GASKET FIX THE SCREW WITH ADHESIVE TAPE
- FU FUSES AT CUSTOMER CARE INSTALLATION
- SU DISCONNECTOR SWITCH AT CUSTOMER CARE INSTALLATION
- DSC SWITCH
- FL LEVEL SWITCH
- SOL DRAIN SOLENOID VALVE
- DC DIGITAL CONTROLLER
- M1 COMPRESSOR MOTOR
- M2 FAN MOTOR
- K4 FAN SWITCH
- OL OVERLOAD RELAY
- CON STARTING RELAY
- CAP STARTING CAPACITOR
- T1 TEMPERATURE SENSOR NTC
- T2 TEMPERATURE SENSOR NTC



WIRE HARNESS 9828443171
SERVICE DIAGRAM EQUIVALENT TO 9828443179

05

Note	Position	Modified from	Date	Intr./Appd.
05		Title block updated & DN 22054126 and CID28238	25/05/2022	

Tolerances, if not indicated, according to:		General tolerances	
		1350K - V	
Name	SERVICE DIAGRAM	A5-6 / E5-6 115/60 UL EL CONTROL	
Material	See Drawing	Confidentiality class acc. to 1102 K	
Treatment	Not Applicable	Internal	
		ACDE	
Scale	--	Family	Compare
Drawn by		Blank nr.	Replaces
Drawing format	A2	Blank wt.	Designation
Blank wt.		Kg	Sheet () 01 01
Prod checked.		Approved.	Date
Approved Internal			04/08/2015 11:03:34

9828443170

CONFIDENTIAL: This document is property of Atlas Copco AB and shall not be distributed or used for manufacturing or communication to any other person or company.