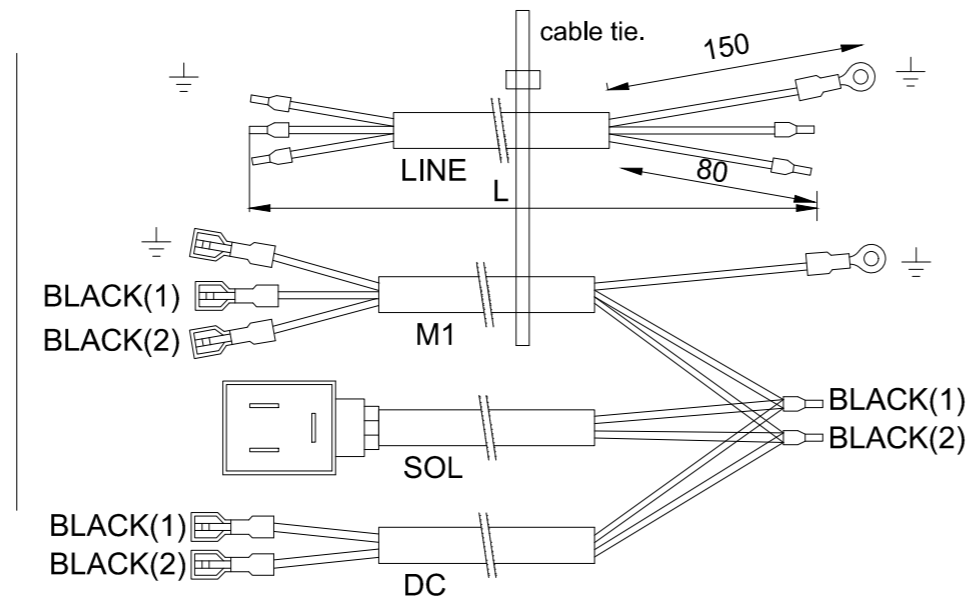
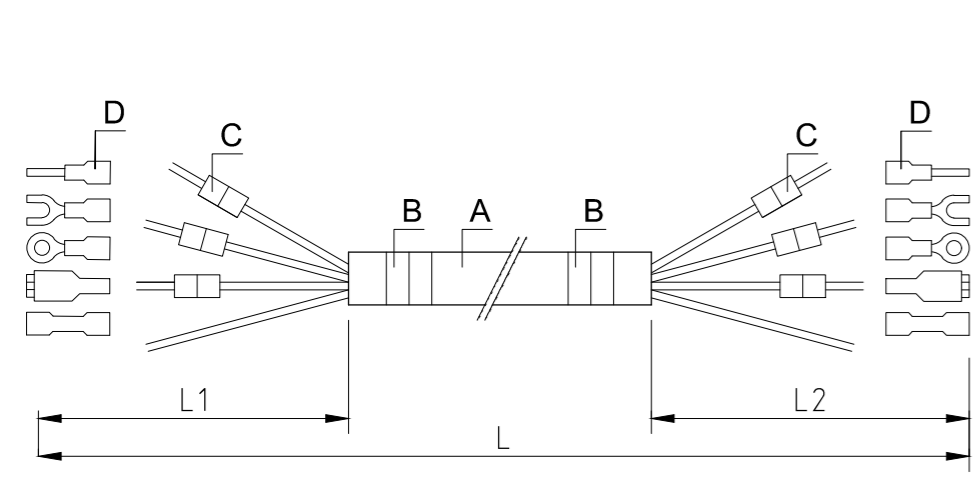


CABLE FOR	ID	LENGTH mm	CABLE TYPE	L1 mm	TERMINAL TYPE	L2 mm	TERMINAL TYPE	NOTES
MAIN SUPPLY	L1 L2 GND	4000	AWG14 3G2,5	80	3xBF-P12	80 - 150GND	2xBF-P10+ S2,5-M6	LISTED SJ, SJT, SJTO, SJOOW,SJTOW
MOTOR M1 (*1)	-	850	AWG14 3G2,5	100	2xBF-F 608 + 160831-3(GND)	80 -150GND	2xGF-P10 + S2,5-M6	style 2587 or 2550 or 21098 or 21216 or equivalent
FAN M2	-	-	-	-	-	-	-	
SOLENOID VALVE SOL	-	1250	AWG18 2x1	-	43650/B **	80	-	
DIGITAL CONTROLLER DC	-	450	AWG18 2x1	50	2XRF-F 608P	80	-	

ID	DESCRIPTION	TYPE	MANUFACTURER	CODE	QUANT.	POS.
DSC	SWITCH	OT25FT3	ABB	1089949849	1	
	HANDLE	OHBS3RH	ABB	1089949850	1	
	Plastic cable tie	5203	ITW			
		320-30	LEGRAND			
	CABLE GLAND	M20X1,5	LAPP	0698514121	1	
	NUT	M20x1,5	LAPP	0697980953	1	

(*1) cable $\Phi_{ext} \leq 8,6mm$

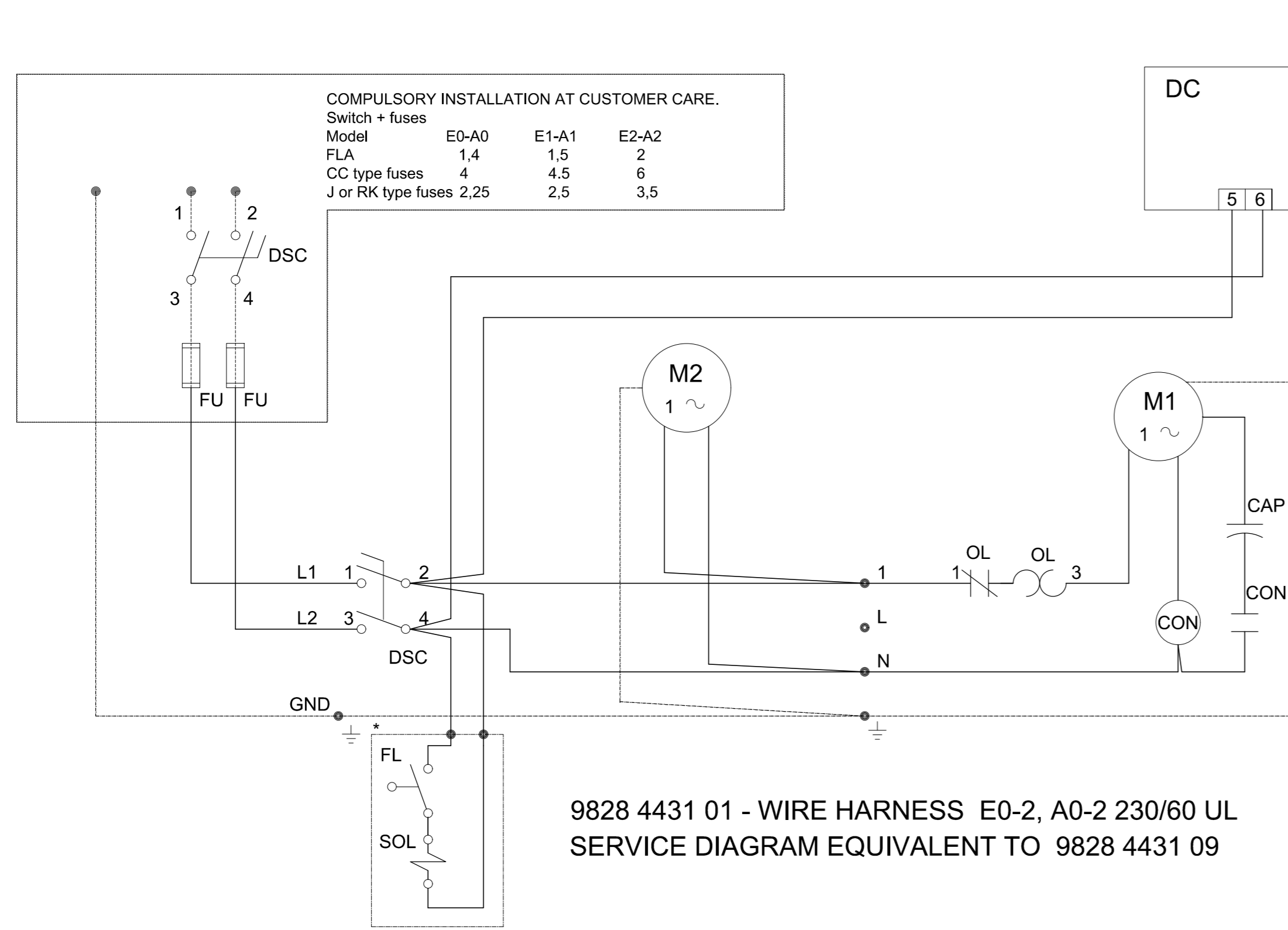


- * FIELD INSTALLED
- ** SUPPLY WITHOUT GASKET
FIX THE SCREW WITH ADHESIVE TAPE
- DSC SWITCH
 - FL LEVEL SWITCH
 - SOL DRAIN SOLENOID VALVE
 - M1 COMPRESSOR MOTOR
 - M2 FAN MOTOR
 - OL OVERLOAD RELAY
 - CON STARTING RELAY
 - CAP STARTING CAPACITOR
 - DC DIGITAL CONTROLLER
 - T2 TEMPERATURE SENSOR NTC (DIG.INPUT)

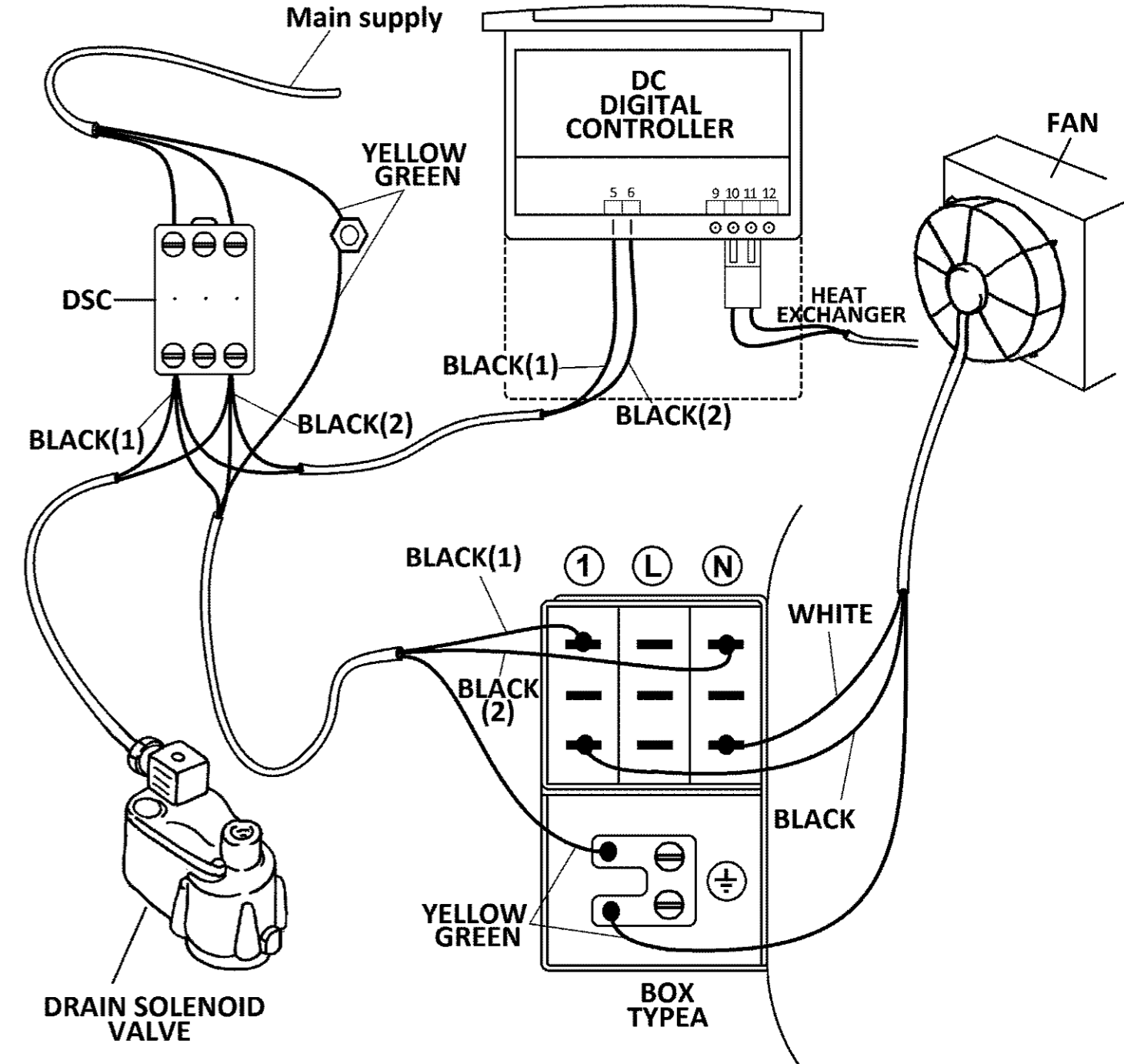
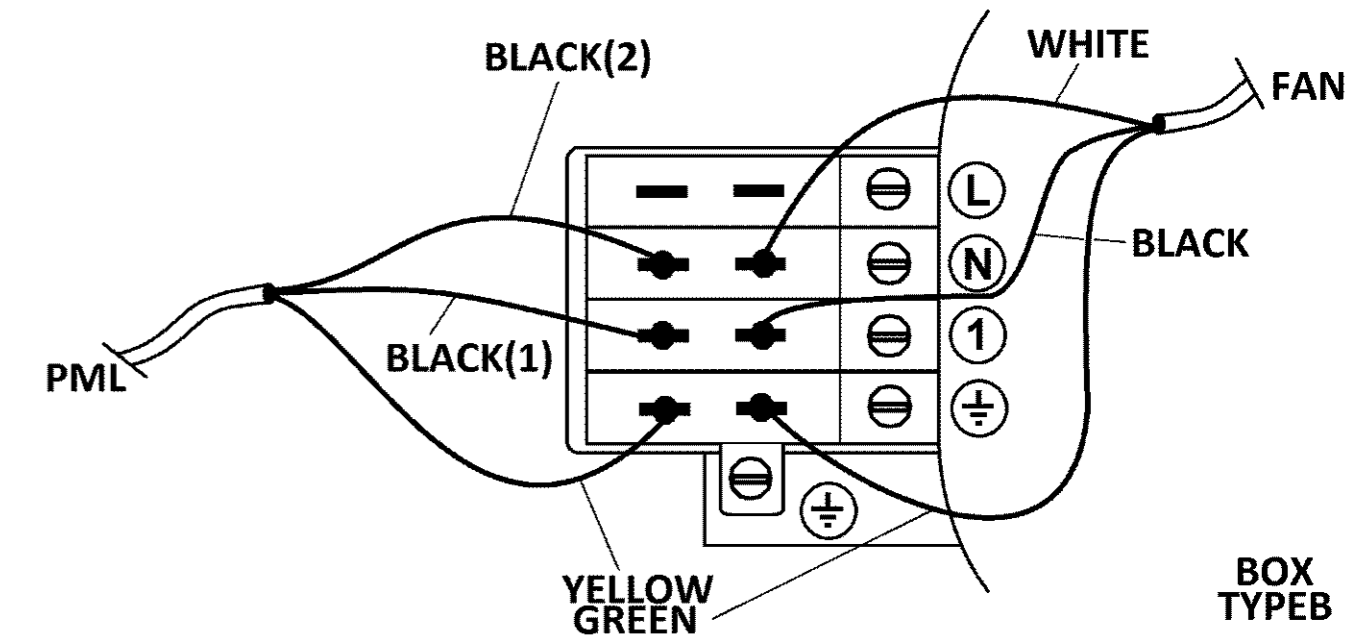
COMPULSORY INSTALLATION AT CUSTOMER CARE.

Switch + fuses

Model	E0-A0	E1-A1	E2-A2
FLA	1,4	1,5	2
CC type fuses	4	4,5	6
J or RK type fuses	2,25	2,5	3,5



9828 4431 01 - WIRE HARNESS E0-2, A0-2 230/60 UL
SERVICE DIAGRAM EQUIVALENT TO 9828 4431 09



CONFIDENTIAL: This document is property of Atlas Copco AB and shall not be distributed or used for manufacturing or communication to any other person or company.

Note	Position	Modified from	Date	Intr./Appd.
04		Title block updated & DN 220541 17 and CID28208	04-04-2022	

04	Tolerances, if not indicated, according to:		General tolerances				
			1350K - V				
Name			SERVICE DIAGRAM			E0-2, A0-2 230/60 UL EL. CONTROL	
Material			See Drawing			Confidentiality class acc. to 1102 K	
Treatment			Not Applicable			Internal	
						ACDE	
Scale		Family		Compare		Drawing owner/ Transferred from	
-		-		-		CAI	
Drawn by		Blank nr.		Replaces			
Drawing format		Blank wt.		Fini wt.		Designation	
03.00		Kg		Kg		Sheet () 01 01	
STATUS		Des checked.		Prod checked.		Approved.	
Parent 3D Model		Ed.Version 3D		Date		04/08/2015 11:02:46	
Approved Internal						9828443100	