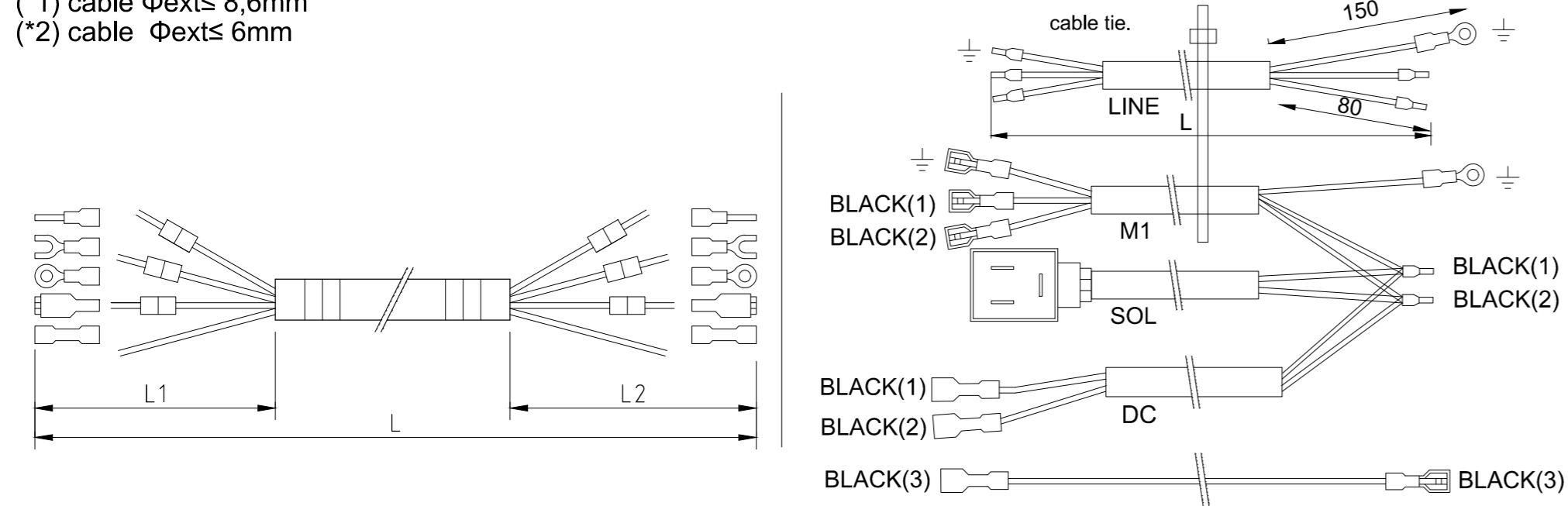


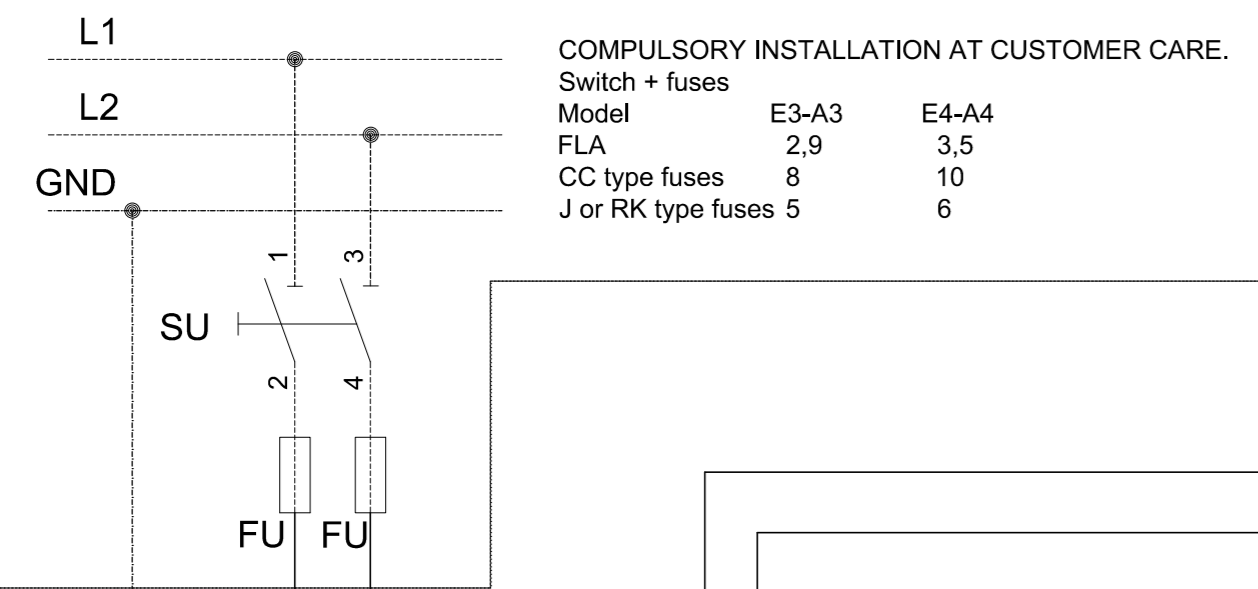
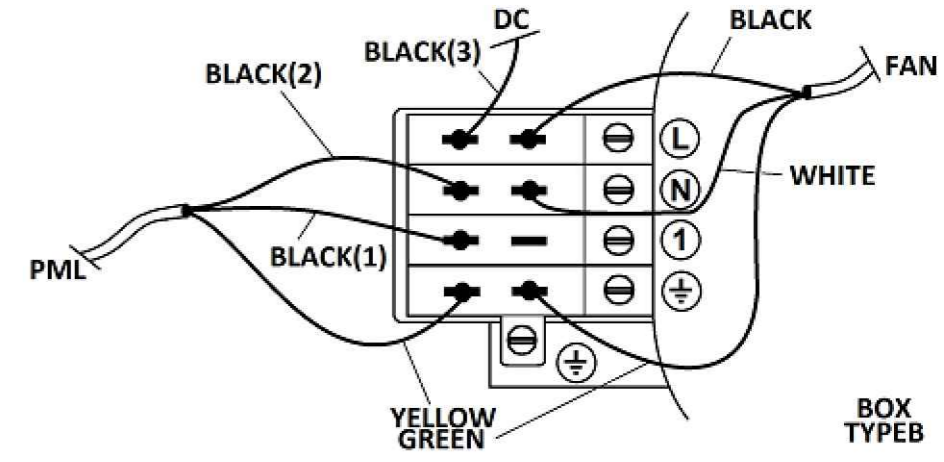
CABLE FOR	ID	LENGT H mm	CABLE TYPE	SIDE A L1 mm	TERMINAL TYPE	SIDE B L2 mm	TERMINAL TYPE	NOTES
MAIN SUPPLY	L1 L2 GND	4000	AWG14 3G2,5	80	3xBF-P12	80 - 150GND	2xBF-P10 + S2,5-M6	LISTED SJ, SJT, SJTO, SJOOW, SJTOW
MOTOR M1 (*1)		850	AWG14 3G2,5	100	2xBF-F 608 + 160831-3(GND)	80 -150GND	2xGF-P10 + S2,5-M6	style 2587 or 2550 or 21098 or 21216 or equivalent
FAN M2		-	-	-	-	-	-	
DIGITAL CONTROLLER DC (*2)		450	AWG18 2x1	100	2xRF-F 608P	80	-	
SOLENOID VALVE SOL		1250	AWG18 2x1	-	43650/B **	80	-	
OUTPUT RELAY FOR FAN		850	AWG18 1mm2 N07V-K black	-	RF-F 608P	-	RF-F 608	style 1015 90°

ID	DESCRIPTION	TYPE	MANUFACT	CODE	QUANT.	POS.
DSC	SWITCH	OT25FT3	ABB	1089949849	1	
	HANDLE	OHBS3RH	ABB	1089949850	1	
	Plastic cable tie	5203	ITW			
		320-30	LEGRAND			
	CABLE GLAND	M20X1,5	LAPP	0698514121	1	
	NUT	M20x1,5	LAPP	0697980953	1	

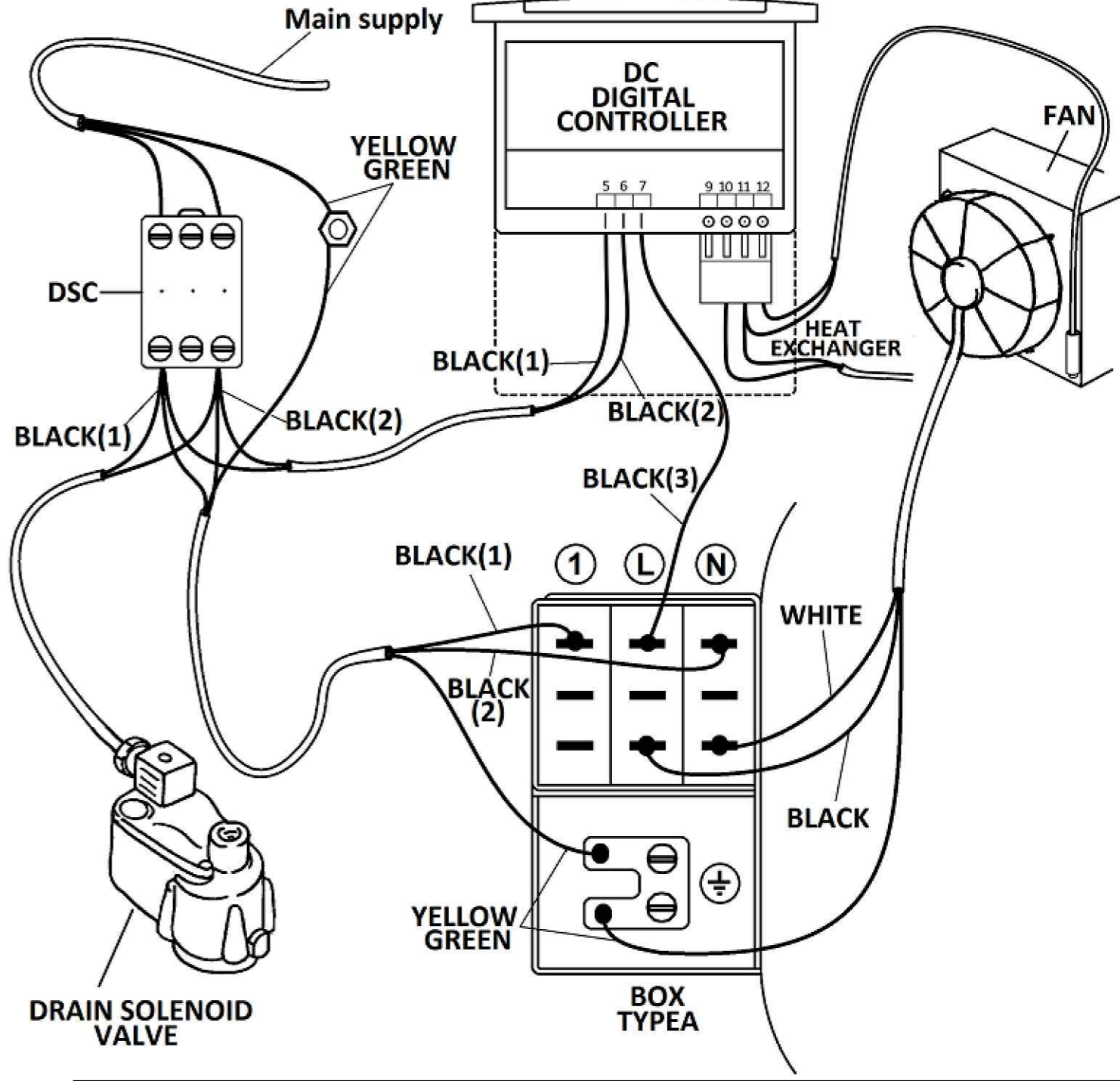
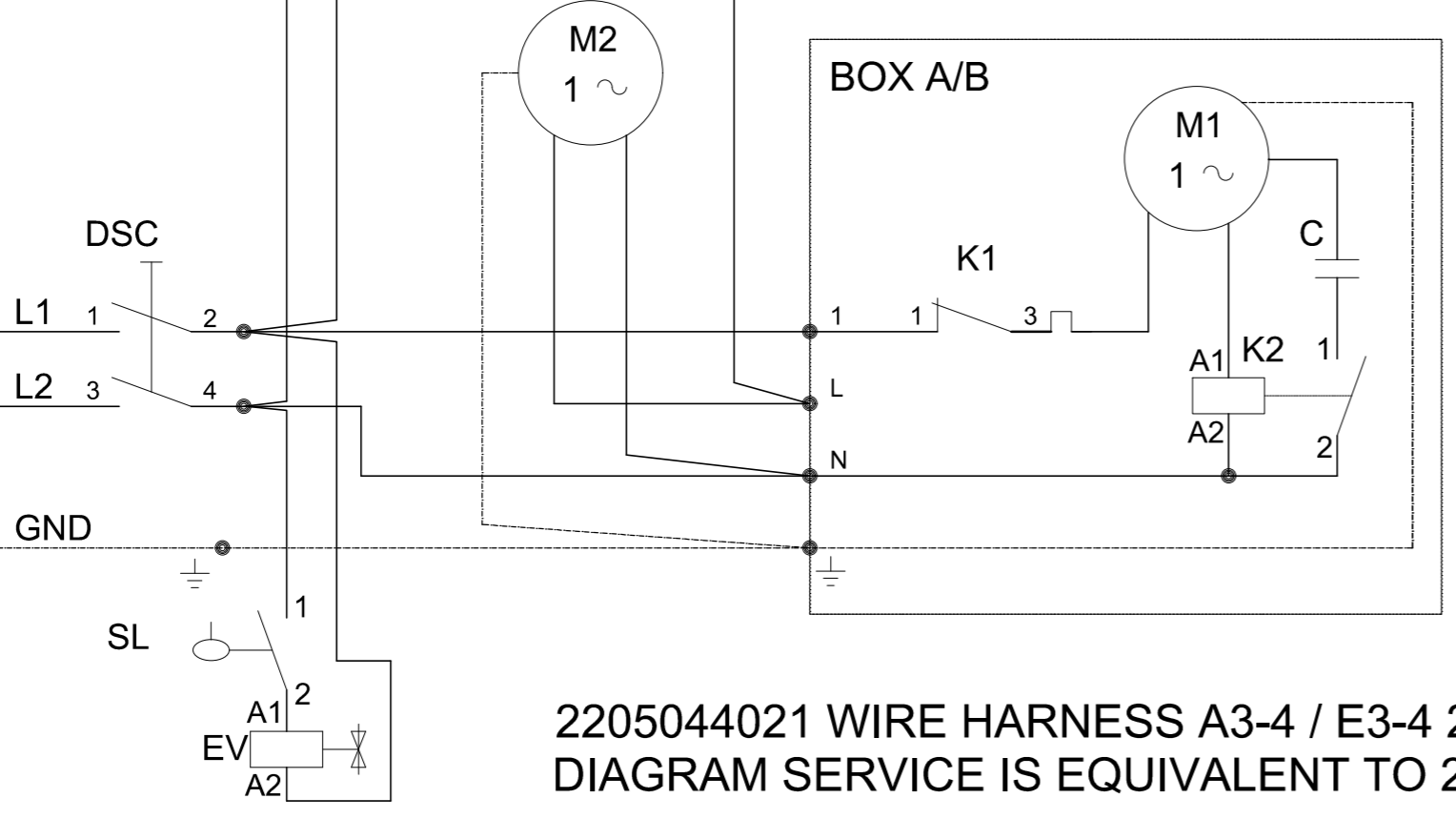
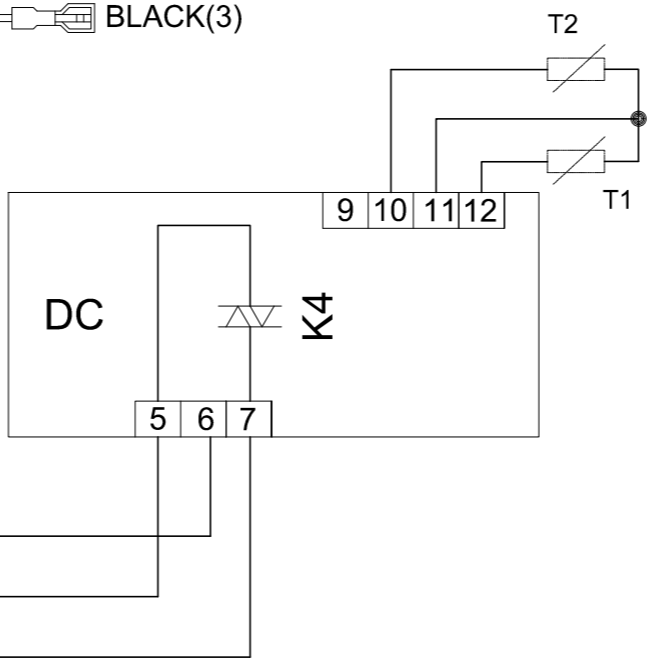
(*1) cable $\Phi_{ext} \leq 8,6mm$
(*2) cable $\Phi_{ext} \leq 6mm$



- * FIELD INSTALLED
- ** SUPPLY WITHOUT GASKET
FIX THE SCREW WITH ADHESIVE TAPE
- SU DISCONNECTOR SWITCH
- FU FUSES CUSTOMER CARE INSTALLATION
- DSC DISCONNECTOR SWITCH
- SL LEVEL SWITCH
- EV DRAIN SOLENOID VALVE
- M1 COMPRESSOR MOTOR
- M2 FAN MOTOR
- K1 OVERLOAD RELAY
- K2 STARTING RELAY
- K4 FAN SWITCH
- C STARTING CAPACITOR
- T1 TEMPERATURE SENSOR NTC (P1)
- T2 TEMPERATURE SENSOR NTC (P2)
- DC DIGITAL CONTROLLER



COMPULSORY INSTALLATION AT CUSTOMER CARE.
Switch + fuses
Model E3-A3 E4-A4
FLA 2,9 3,5
CC type fuses 8 10
J or RK type fuses 5 6



2205044021 WIRE HARNESS A3-4 / E3-4 230/60 UL
DIAGRAM SERVICE IS EQUIVALENT TO 2205044029

CONFIDENTIAL: This document is property of Atlas Copco AB and shall not be distributed or used without our permission. All rights reserved. Copying, reuse for manufacturing or communication to any other person or company, is prohibited.

Note	Position	Modified from	Date	Intr./Appd.
02		Title block updated & DN 220541 17 and CID28208	04-04-2022	

02	Tolerances, if not indicated, according to:		General tolerances		
			1350K - V		
Name		SERVICE DIAGRAM		E3-4, A3-4 230/60 UL EL. CONTROL	
Material		See Drawing		Confidentiality class acc. to 1102 K	
Treatment		Not Applicable		Internal	
				ACDE	
Scale		--		Family	
Drawn by				Blank nr.	
Drawing format		01.00		Blank wt. Kg	
STATUS		Approved Internal		Fini wt. Kg	
Des checked.		Prod checked.		Approved.	
Date		10/11/2020		Designation	
Parent 3D Model		Ed.Version 3D		Sheet () 01 01	
				2205044020	