

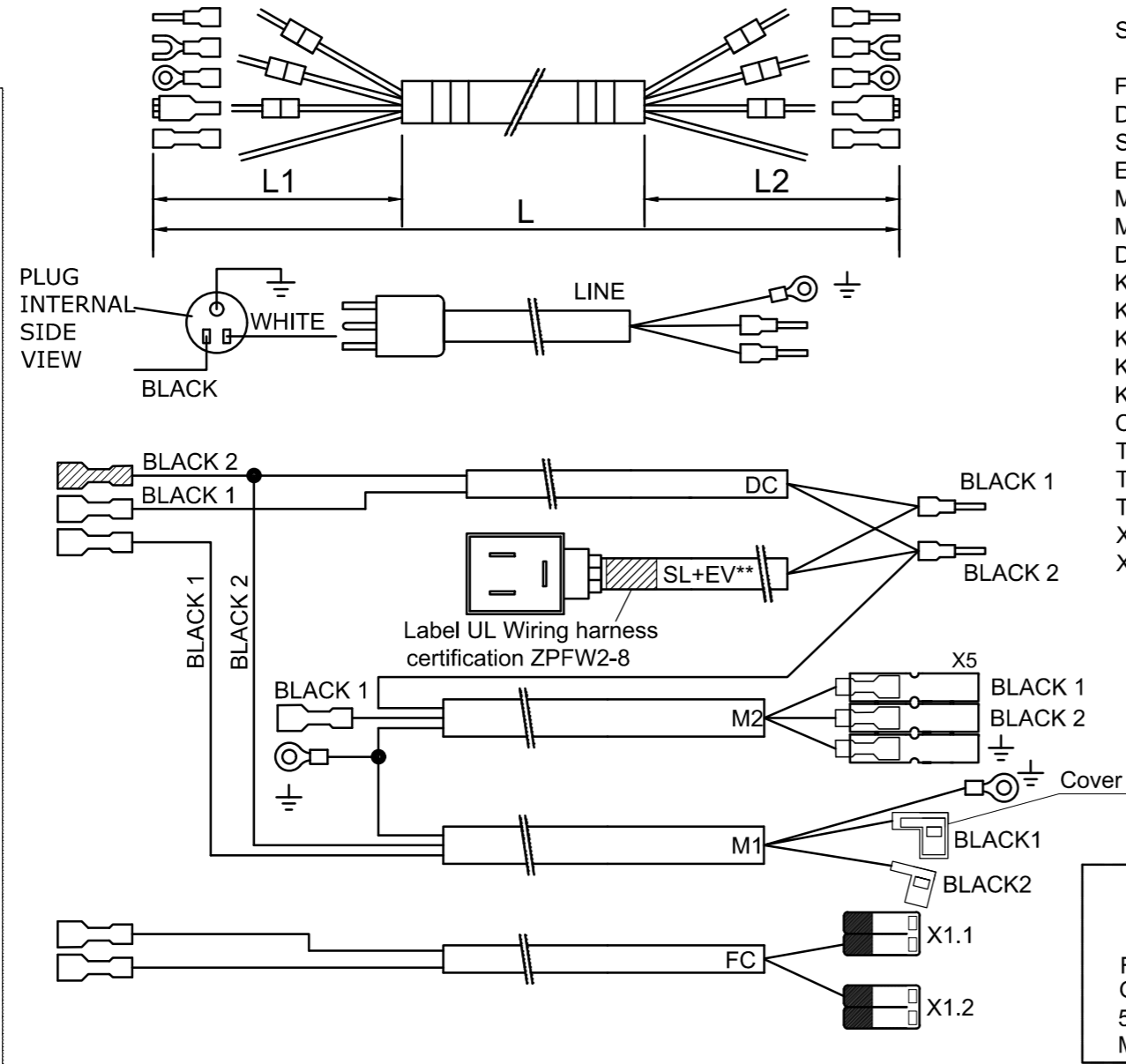
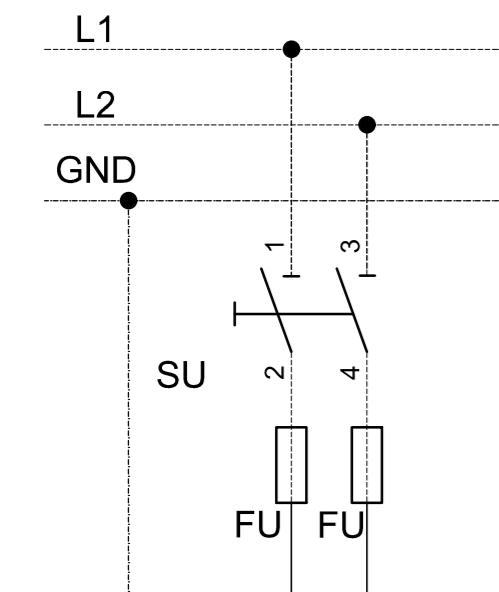
CABLE FOR	LENGTH mm	CABLE TYPE	SIDE A		SIDE B		NOTES	ID	DESCRIPTION	TYPE	MANUFACTURER	CODE	QUANT.	POSITION
			L1 mm	TERMINAL TYPE	L2 mm	TERMINAL TYPE								
MAIN SUPPLY	3300	AWG14 3G2.5	-	NEMA5 - 15P	80	2xBF-P10 + S2,5-M6	LISTED SJ, SJT, SJTO, SJOOW, SJTOW.	DSC	SWITCH	OT25FT3	ABB	1089949849	1	
SOLENOID VALVE SL+EV	1450	AWG18 2G1	-	43650/B **	80	2xGF-P10	Style 2587 or 2550 or 21098 or 21216 or equivalent		CABLE GLAND	M20X1,5		0698514121	1	LOOSE
DIGITAL CONTROLLER DC	300	AWG14 2G2.5	80	3 x BF-F608P + GF-F608P S6-M6(GND)	120				NUT	M20x1,5			0697980953	1
MOTOR M1 (*1)	1500	AWG14 3G2.5	100 - 300GND		2xBN-FAB608 + CFAB600 + S2.5-M4(GND)	70 - 120GND		X5	CONNECTOR	PA21			2203080501	3
FAN M2	400	AWG14 3G2.5	200	60		3xBF-F608P + X5		X4	HOUSING				0993421506	3
FREE CONTACT FC	300	AWG18 2G1	80	2 x RF-F608P	80	2 x 221-412			SERVICE DIAGR.			2205042340	1	

(*1) cable $\Phi_{ext} \leq 8.6mm$

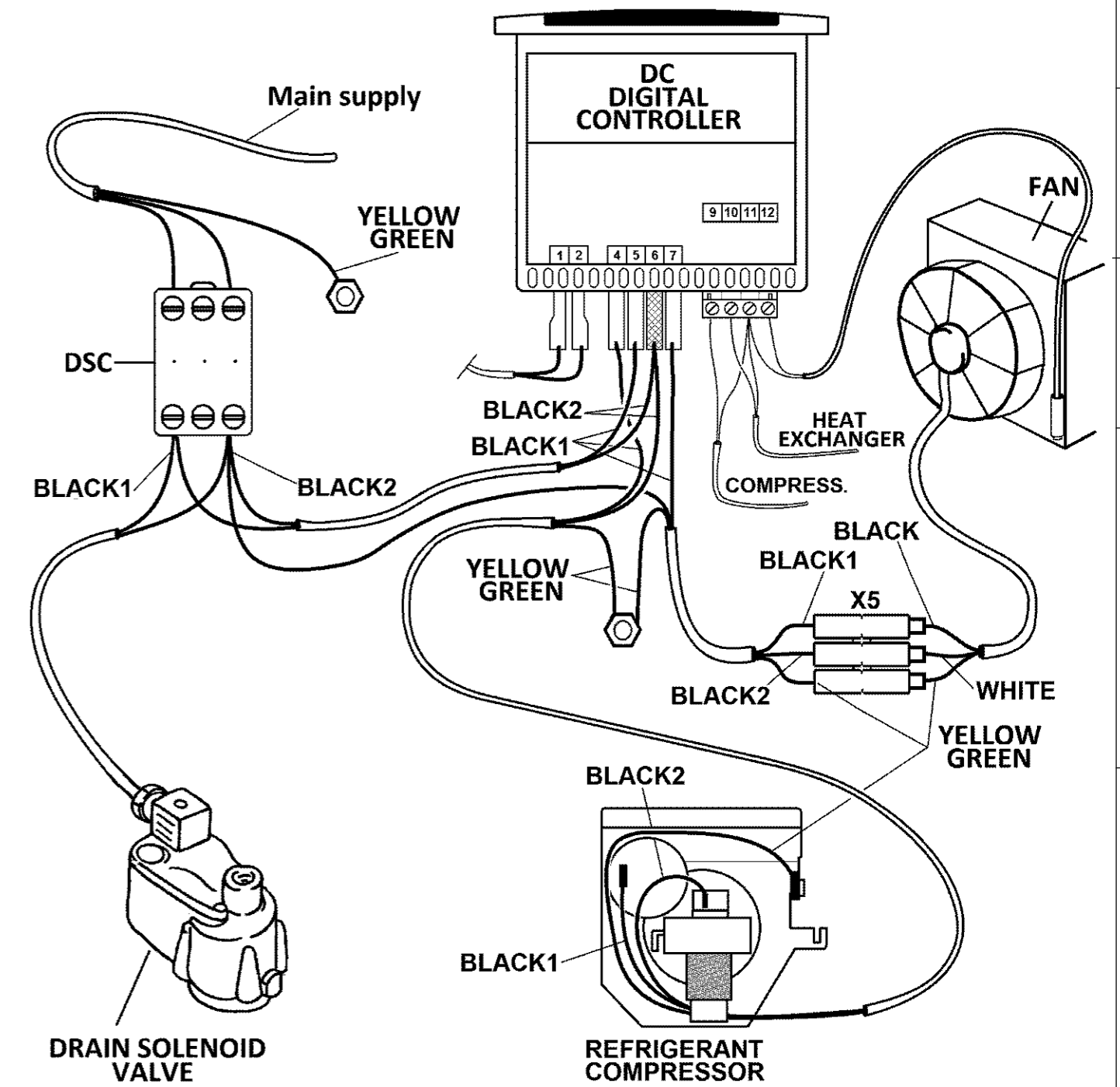
- ** SUPPLY WITHOUT GASKET
FIX THE SCREW WITH ADHESIVE TAPE
- SU DISCONNECTOR SWITCH CUSTOMER CARE INSTALLATION
 - FU FUSES CUSTOMER CARE INSTALLATION
 - DSC DISCONNECTOR SWITCH
 - SL LEVEL SWITCH
 - EV DRAIN SOLENOID VALVE
 - M1 COMPRESSOR MOTOR
 - M2 FAN MOTOR
 - DC DIGITAL CONTROLLER
 - K1 OVERLOAD RELAY
 - K2 STARTING RELAY
 - K3 COMPRESSOR SWITCH
 - K4 FAN SWITCH
 - K5 FREE CONTACT
 - C STARTING CAPACITOR
 - T1 TEMPERATURE SENSOR NTC (P1)
 - T2 TEMPERATURE SENSOR NTC (P2)
 - T3 TEMPERATURE SENSOR PTC (P3)
 - X1 FREE CONTACT
 - X5 FAN TERMINAL BLOCK

COMPULSORY INSTALLATION AT CUSTOMER CARE:
FUSES (FU) + DISCONNECTOR SWITCH (SU)
SU size $\geq FLA \times 1.25$
FU TIME DELAY FUSES

Model	FLA	CC type fuses	J or RK type fuses
E6/BE6	11.9	15	15



X1.1 ●
X1.2 ●
FREE CONTACT
Generale alarm:
5A/250Va.c. AC1
Min. Voltage > 50V



Note	Position	Modified from	Date	Intr./Appd.
05		Title block updated & DN 220541 17 and CID28208	04-04-2022	

All materials supplied are in compliance with the requirements of the List of Prohibited Substances

05

Tolerances if not indicated, according to:		General tolerances			
		1350K - V			
Name	SERVICE DIAGRAM	E6/BE6 115V 60Hz UL FC		Confidentiality class acc. to 1102 K	
Material	See Drawing			Internal	
Treatment	Not Applicable			ACDE	
Scale	--	Family		Compare	
Drawn by		Blank nr.		Replaces	
Drawing format	04.00	Blank wt.	Kg	Fini wt.	Kg
Des checked.		Prod checked.		Approved.	
STATUS	Approved Internal	Date	01/03/2018 16:33:45	Designation	Sheet () 01 01
Parent 3D Model		Ed.Version 3D		2205042340	