

CABLE BILL OF MATERIALS

CABLE FOR	LENGTH mm	CABLE TYPE	SIDE A		SIDE B	
			L1 mm	TERMINAL TYPE	L2 mm	TERMINAL TYPE
MAIN SUPPLY	4000	3G1 FROR 450/750	80	3xPKE108	80 - 150GND	2xFP-P10 + S1,5-M6
MOTOR M1 (*1)	850	3G1 FROR 450/750	60	RF-F608 + 160831-3(GND)	80 -150GND	2xGF-P10+ S1,5-M6
FAN M2	-	-	-	-	-	-
DIGITAL CONTROLLER DC	450	2x1 FROR 450/750	100	2xRF-F608P	80	-
SOLENOID VALVE SL+EV	1250	2x1 FROR 450/750	-	43650/B **	80	-
FREE CONTACT FC	300	2x1 FROR 450/750	100	2xRF-F608P	80	2x221-412

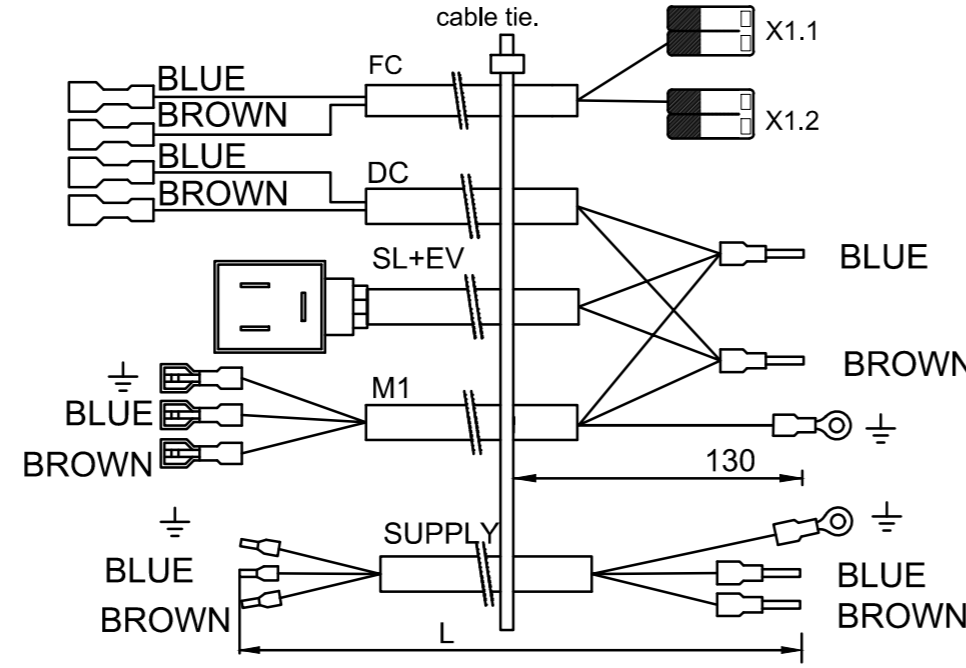
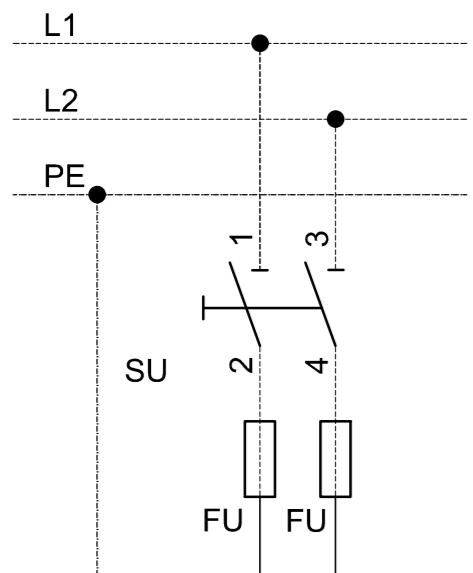
(\*1) cable  $\Phi_{ext} \leq 9.5mm$

2205023791 WIRE HARNESS A0-2; E0-2 230/50-60 CE DSC FC

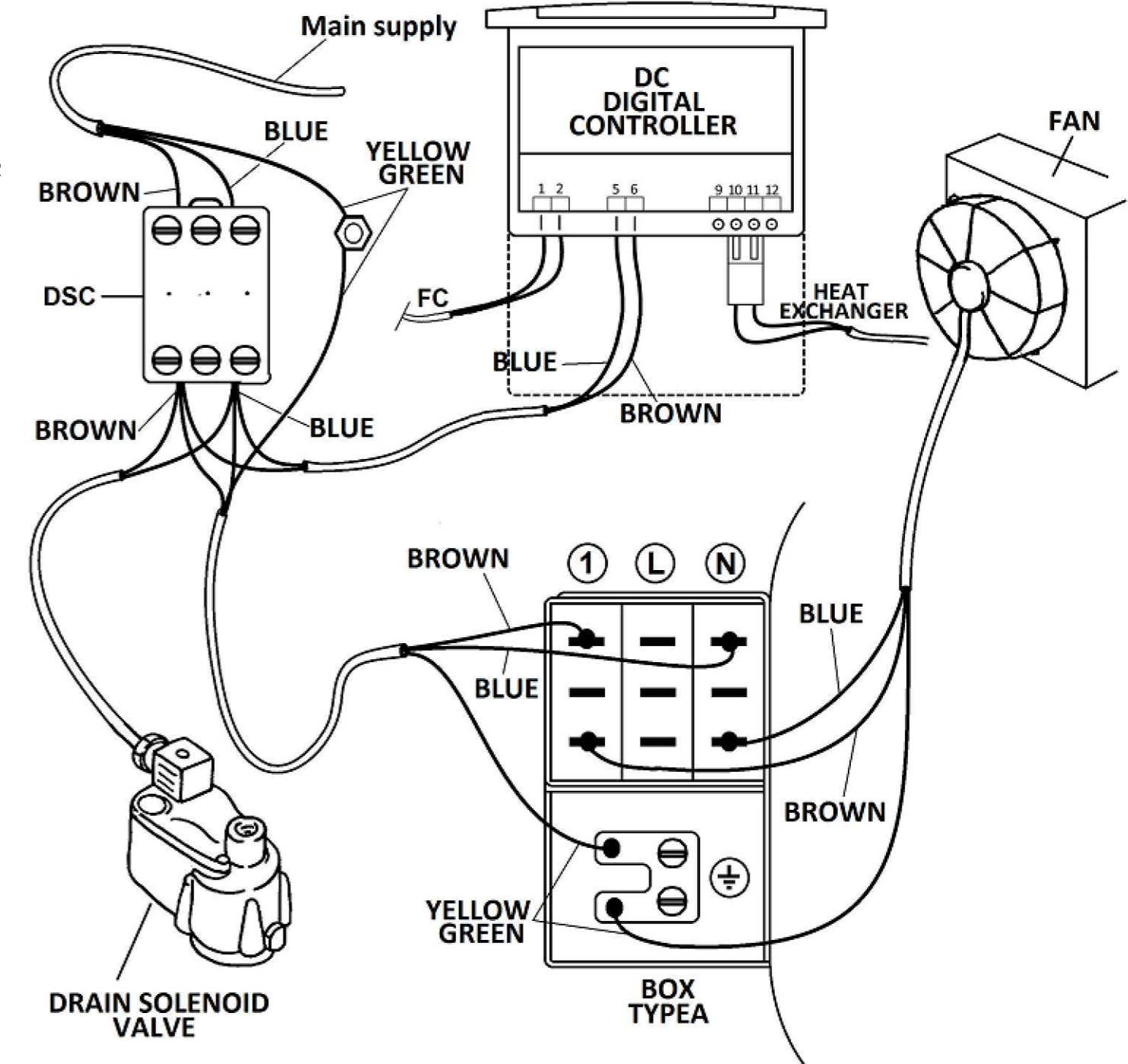
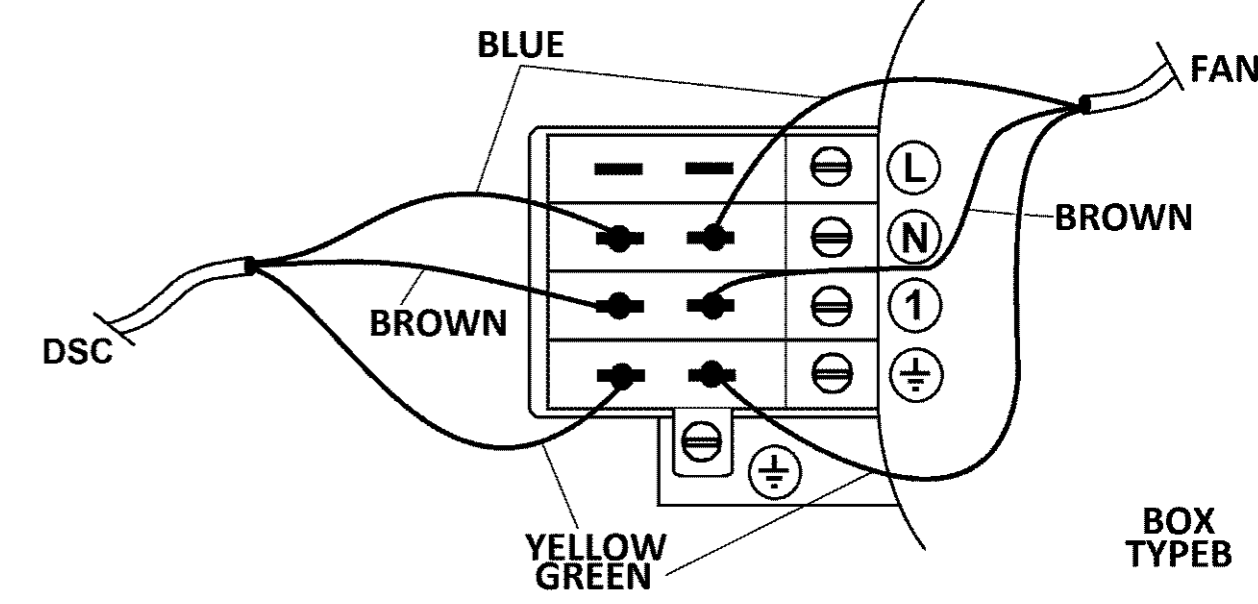
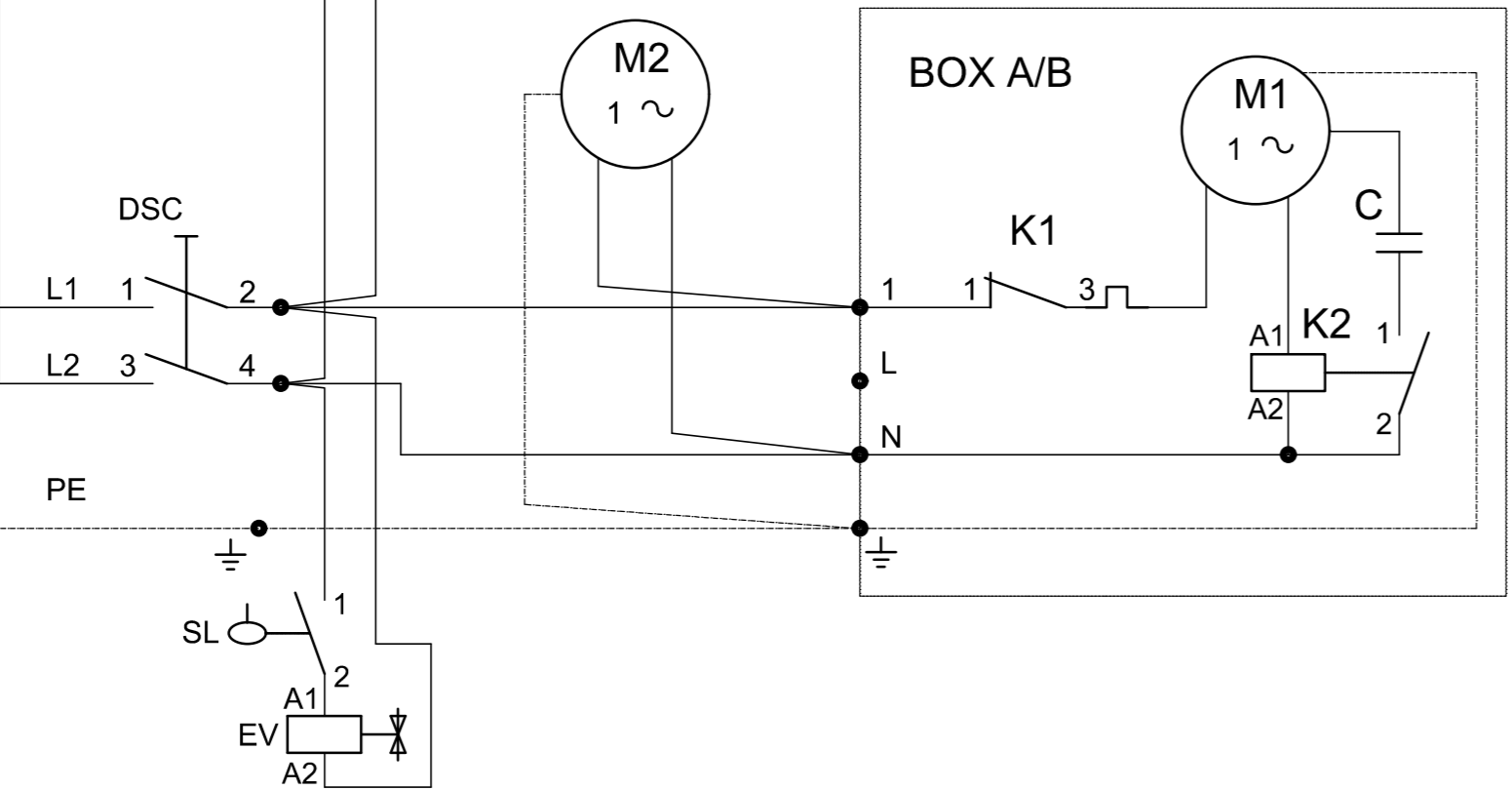
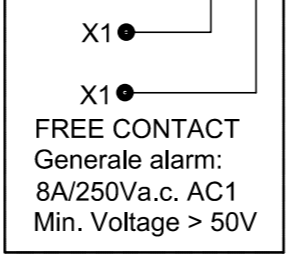
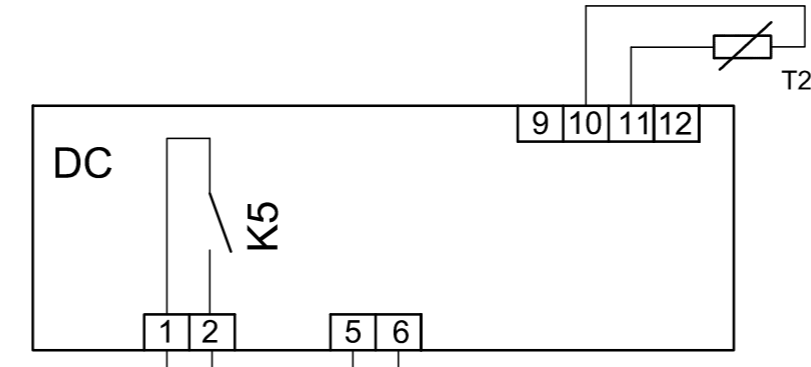
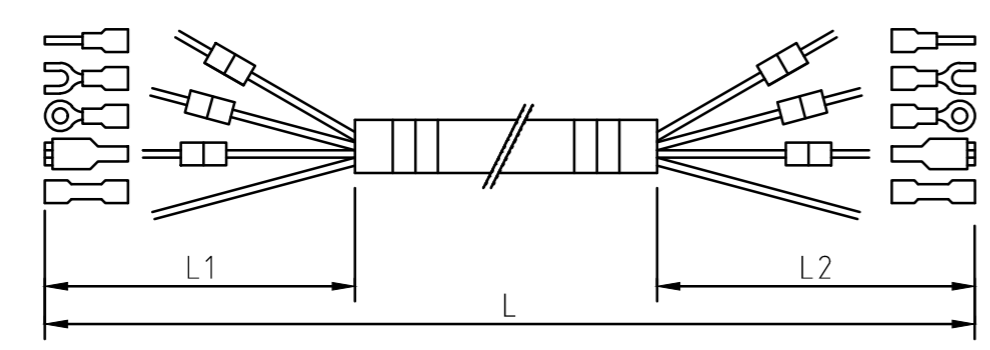
ID	DESCRIPTION	TYPE	MANUFACTURER	CODE	QUANT.	POSITION
DSC	SWITCH	OT25FT3	ABB	1089949849	1	
	HANDLE	OHBS3RH	ABB	1089949850	1	
	CABLE GLAND	M20X1,5 STR	LAPP	0698514085	1	LOOSE
	NUT	M20x1,5	LAPP	0697980953	1	LOOSE
	SERVICE DIAGRAM			2205023790	1	

COMPULSORY INSTALLATION AT CUSTOMER CARE. FUSES + DISCONNECTOR SWITCH

Model	gG fuses type
A0 - E0 230V/50Hz	4A
A0 - E0 220V/60Hz	4A
A1 - E1 230V/50Hz	4A
A1 - E1 220V/60Hz	4A
A2 - E2 230V/50Hz	4A
A2 - E2 220V/60Hz	4A



- \*\* SUPPLY WITHOUT GASKET  
FIX THE SCREW WITH ADHESIVE TAPE
- SU DISCONNECTOR SWITCH  
CUSTOMER CARE INSTALLATION
- FU FUSES CUSTOMER CARE  
INSTALLATION
- DSC DISCONNECTOR SWITCH
- SL LEVEL SWITCH
- EV DRAIN SOLENOID VALVE
- M1 COMPRESSOR MOTOR
- M2 FAN MOTOR
- K1 OVERLOAD RELAY
- K2 STARTING RELAY
- K5 FREE CONTACT
- C STARTING CAPACITOR
- T2 TEMPERATURE SENSOR NTC (P2)
- DC DIGITAL CONTROLLER
- X1 TERMINAL FREE CONTACT



CONFIDENTIAL: This document is property of Atlas Copco AB and shall not be distributed or used for manufacturing or communication to any other person or company.

Note	Position	Modified from	Date	Intr./Appd.
03		Title block updated & DN 220541 17 and CID28208	04-04-2022	

All materials supplied are in compliance with the requirements of the List of Prohibited Substances

Parent 3D Model	Ed.Version 3D
-----------------	---------------

Tolerances if not indicated, according to:		General tolerances	
1350K - v			
Name SERVICE DIAGRAM		A0-2; E0-2 230V CE FREE CONTACT DSC	
Material See Drawing		Confidentiality class acc. to 1102 K	
Treatment Not Applicable		Internal	
		ACDE	
Scale	Family	Compare	Drawing owner
--			CAI
Drawn by	Blank nr.	Replaces	Transferred from
Drawing format 02.00	Blank wt.	Fini wt.	Designation
	Kg	Kg	Sheet ( ) 01 01
Approved Internal	Res checked.	Prod checked.	Approved.
			Date 09/11/2020 17:06:46

2205023790