

CABLE BILL OF MATERIALS

CABLE FOR	LENGTH mm	CABLE TYPE	SIDE A		SIDE B	
			L1 mm	TERMINAL TYPE	L2 mm	TERMINAL TYPE
MAIN SUPPLY	4000	3G1 FROR 450/750	80	3xPKE108	80 - 150GND	2xRF-P10 + S1,5-M6
MOTOR M1 (*1)	850	4G1 FROR 450/750	60	3 x RF-F 608 160831-3(GND)	80(BROWN + GRAY) 200(GND + BLACK)	2 x GF-P10 + S1,5-M6
SOLENOID VALVE SL+EV	1250	2x1 FROR 450/750	-	43650/B **	80	
DIGITAL CONTROLLER DC	450	2x1 FROR 450/750	100	3 x BN-FAR608 + X2	80	
FAN M2	-	-	-	-	-	
FREE CONTACT FC	300	2x1 FROR 450/750	80	2 x 221-412	80	2 x BN-FA608 + 2 x X4

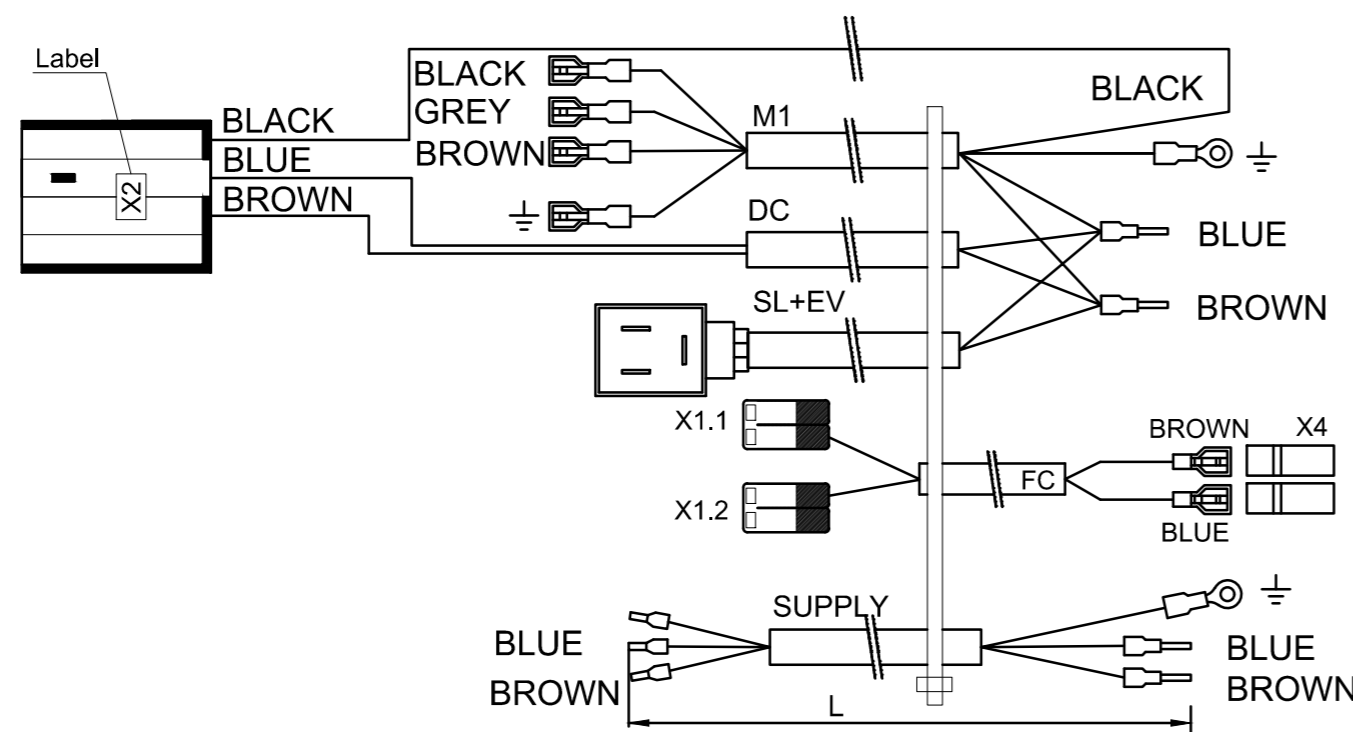
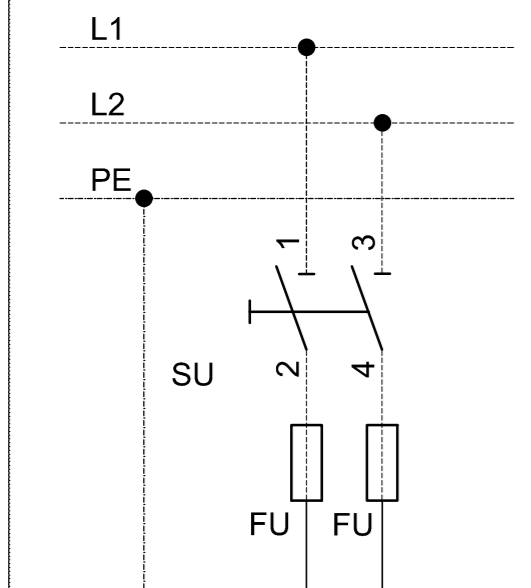
2205023911 WIRE HARNESS A3-4; E3-4 230/50-60 CE FC DSC

ID	DESCRIPTION	TYPE	MANUFACTURER	CODE	QUANT.	POSITION
DSC	SWITCH	OT25FT3	ABB	1089949849	1	
	HANDLE	OT25FT3	ABB	1089949850	1	
	CABLE GLAND	M20X1,5 STR		0698514085	1	LOOSE
	NUT	M20x1,5		0697980953	1	LOOSE
X2	CONNECTOR	63N040	CS	1088003857	1	
X4	HOUSING			0993421506	2	
	SERVICE DIAGRAM			2205023910	1	

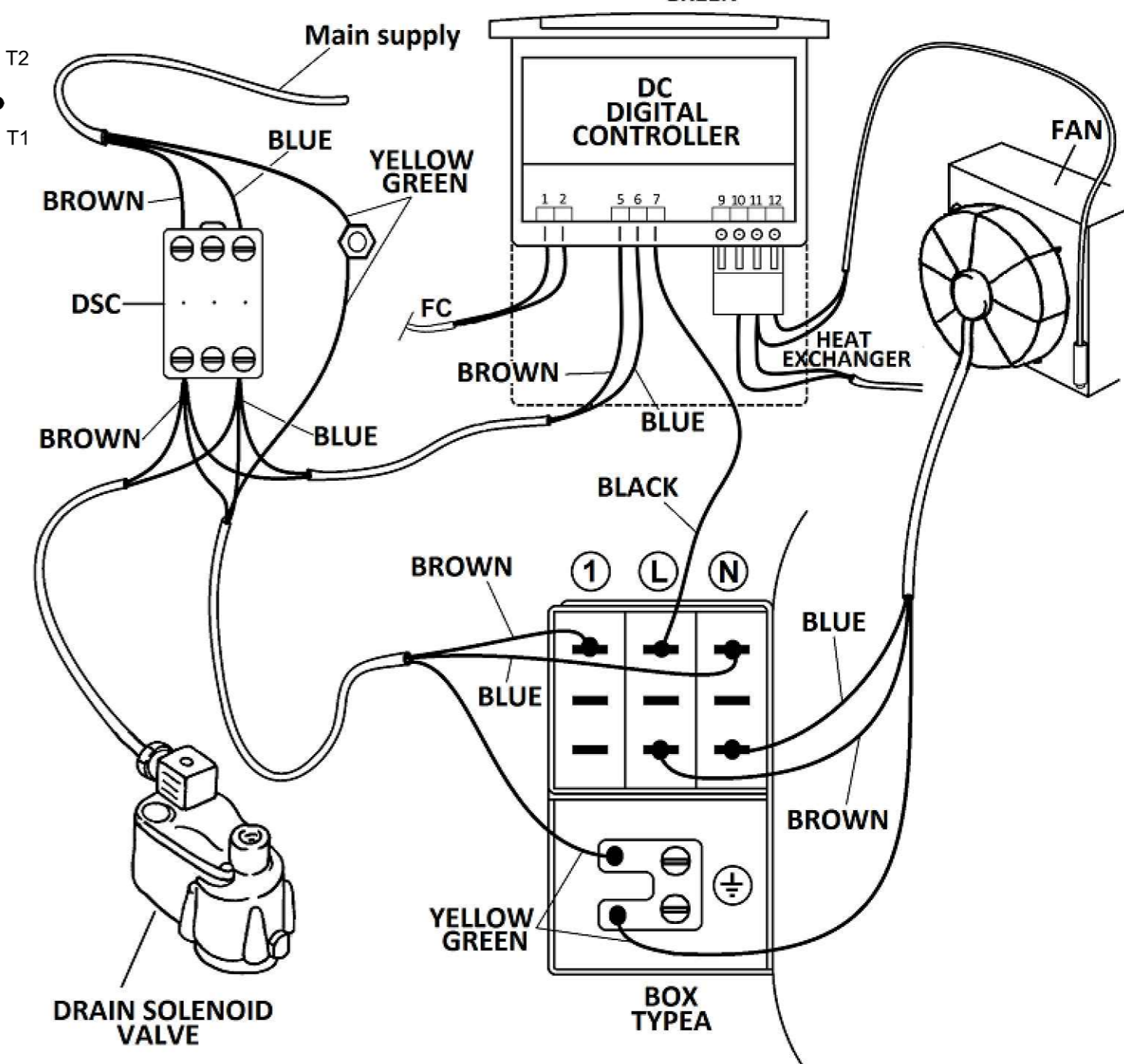
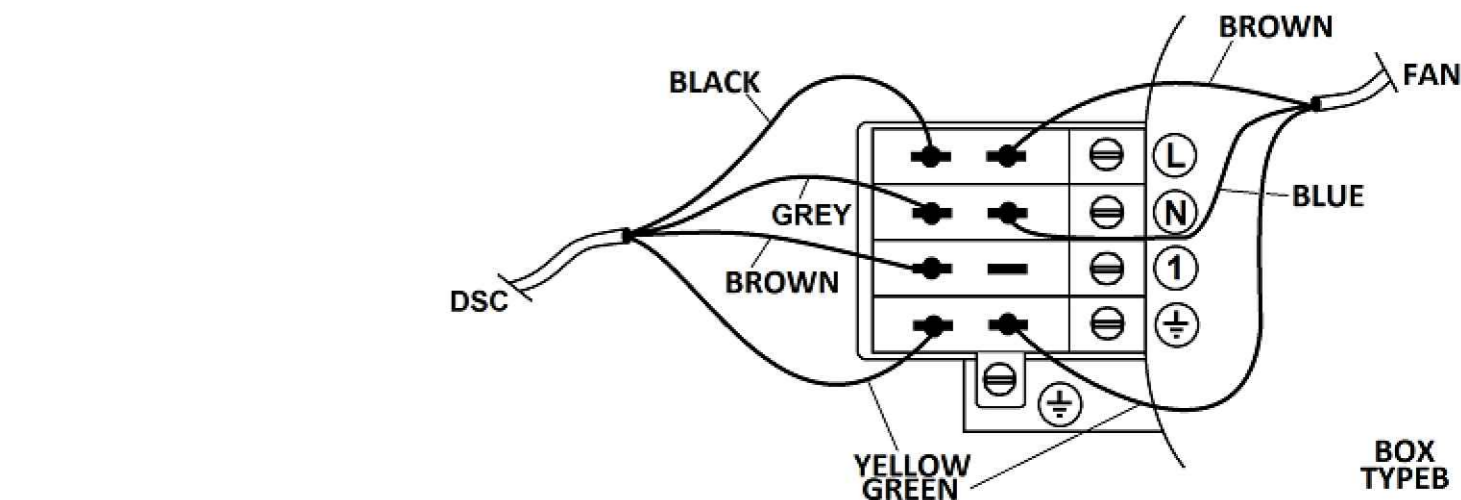
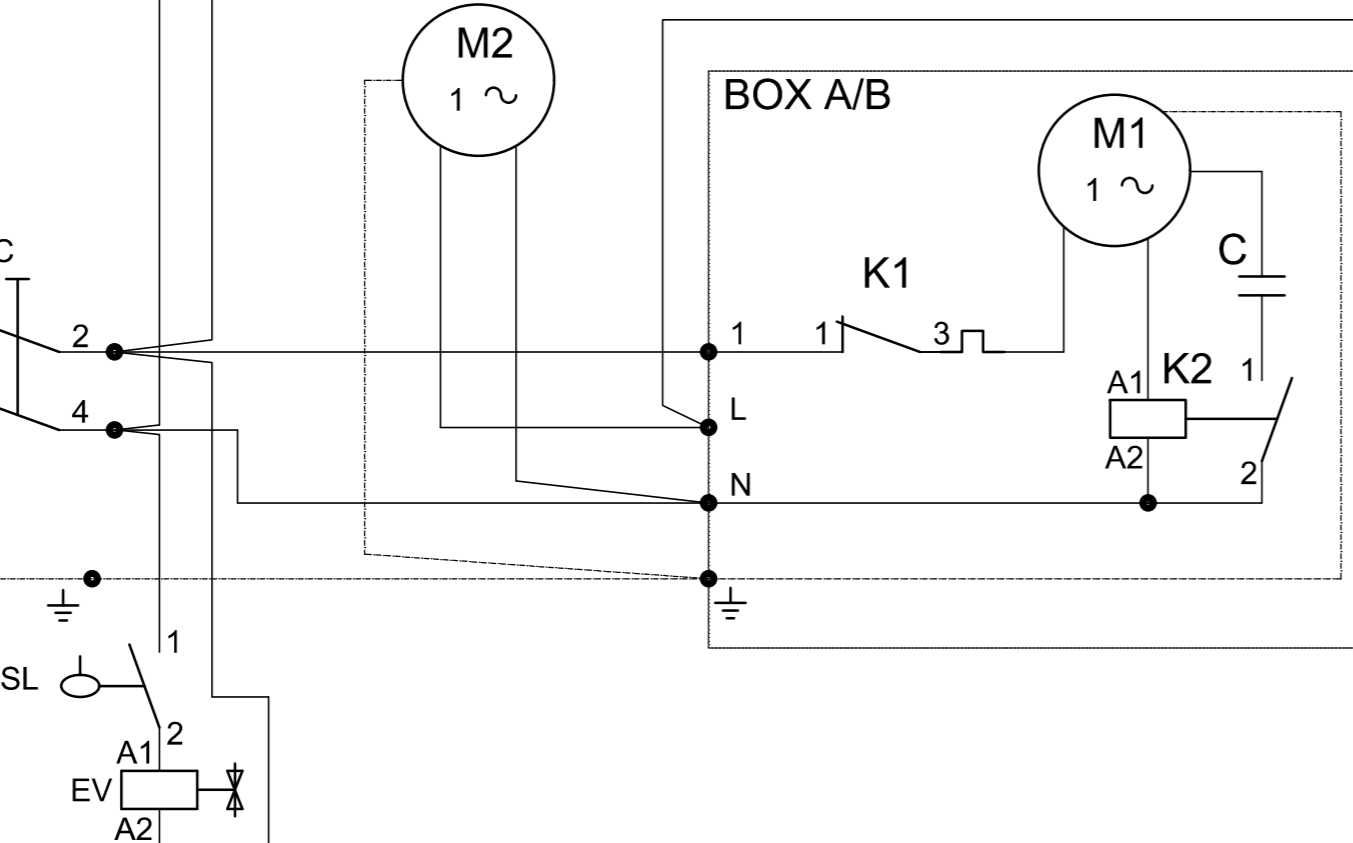
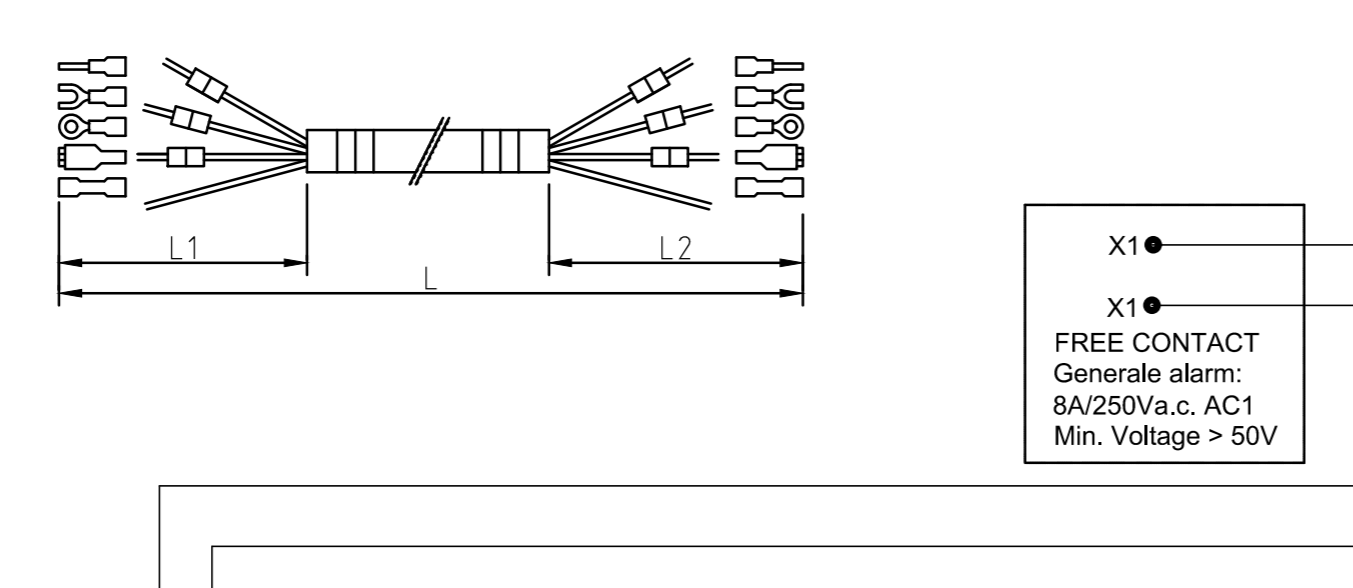
(*1) cable $\Phi_{ext} \leq 9.5mm$

**COMPULSORY INSTALLATION
AT CUSTOMER CARE.
FUSES + DISCONNECTOR
SWITCH**

Model	gG fuses type
A3 - E3 230V/50Hz	4A
A3 - E3 220V/60Hz	4A
A4 - E4 230V/50Hz	4A
A4 - E4 220V/60Hz	6A



- SU DISCONNECTOR SWITCH
CUSTOMER CARE INSTALLATION
- FU FUSES CUSTOMER CARE
INSTALLATION
- DSC DISCONNECTOR SWITCH
- SL LEVEL SWITCH
- EV DRAIN SOLENOID VALVE
- M1 COMPRESSOR MOTOR
- M2 FAN MOTOR
- K1 OVERLOAD RELAY
- K2 STARTING RELAY
- K4 FAN SWITCH
- K5 FREE CONTACT
- C STARTING CAPACITOR
- T1 TEMPERATURE SENSOR NTC (P1)
- T2 TEMPERATURE SENSOR NTC (P2)
- DC DIGITAL CONTROLLER
- X1 TERMINAL FREE CONTACT
- X2 CONTROLLER CONNECTOR



03

CONFIDENTIAL: This document is property of Atlas Copco AB and shall not be distributed or used without our permission. All rights reserved. Copying, reuse for manufacturing or communication to any other person or company is prohibited.

Note	Position	Modified from	Date	Intr./Appd.
03		Title block updated & DN 220541 17 and CID28208	04-04-2022	

All materials supplied are in compliance with the requirements of the List of Prohibited Substances

Parent 3D Model	Ed.Version 3D
-----------------	---------------

Tolerances, if not indicated, according to:		General tolerances	
		1350K - v	
Name		SERVICE DIAGRAM	
Material		See Drawing	
Treatment		Not Applicable	
Scale		--	
Drawing format		02.00	
Blank wt.		Kg	
Fini wt.		Kg	
Designation		A3-4; E3-4 230V CE FREE CONTACT DSC	
Sheet		01 01	
Date		10/11/2020	
Status		Approved Internal	
Res checked.		Prod checked.	
Approved.		Date	
Confidentiality class acc. to 1102 K		Internal	
ACDE		CAI	
Drawing owner		Transferred from	
CAI			
Designation		2205023910	