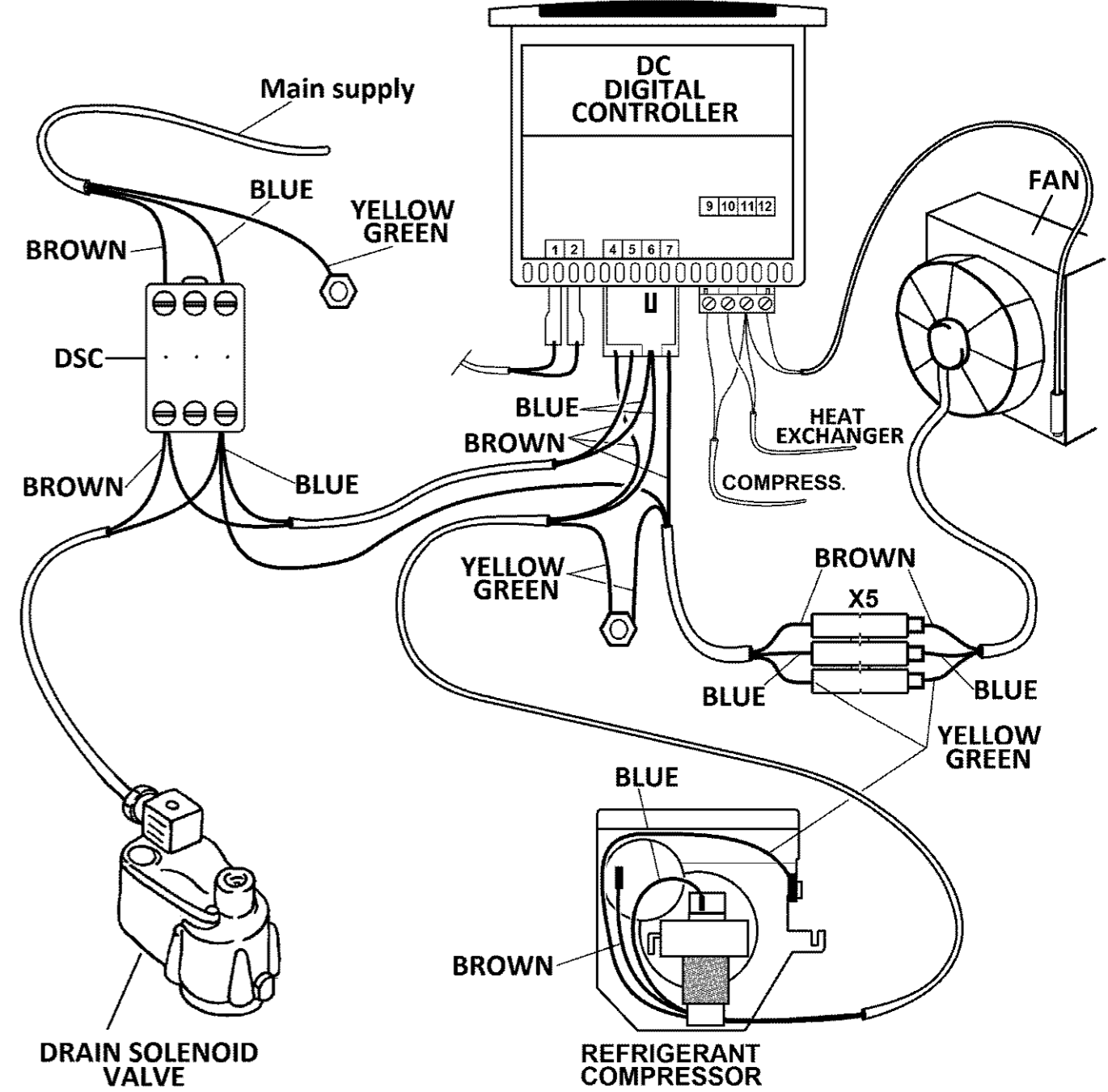
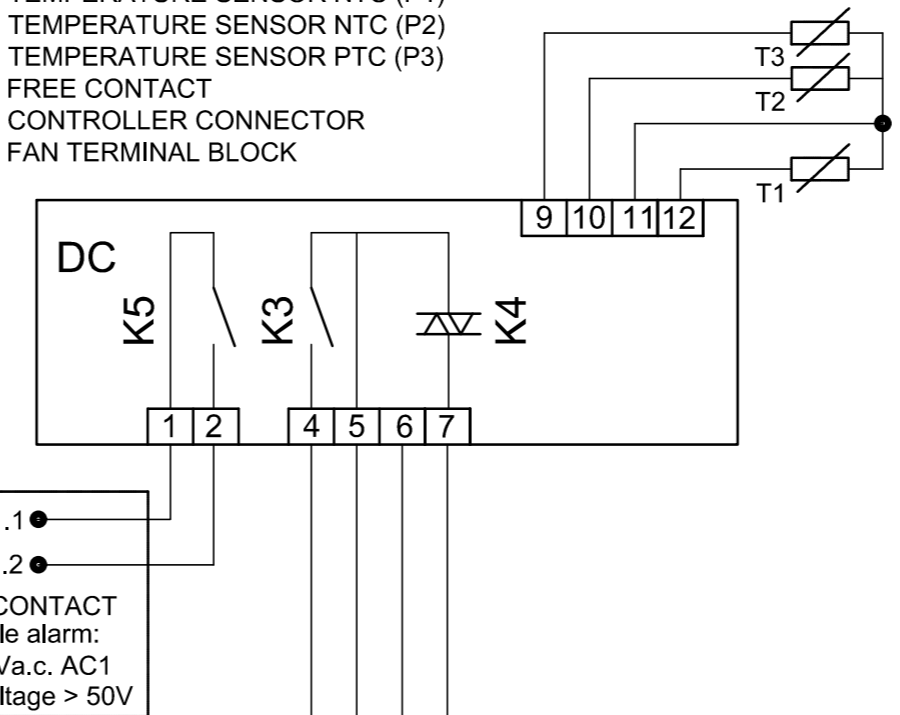
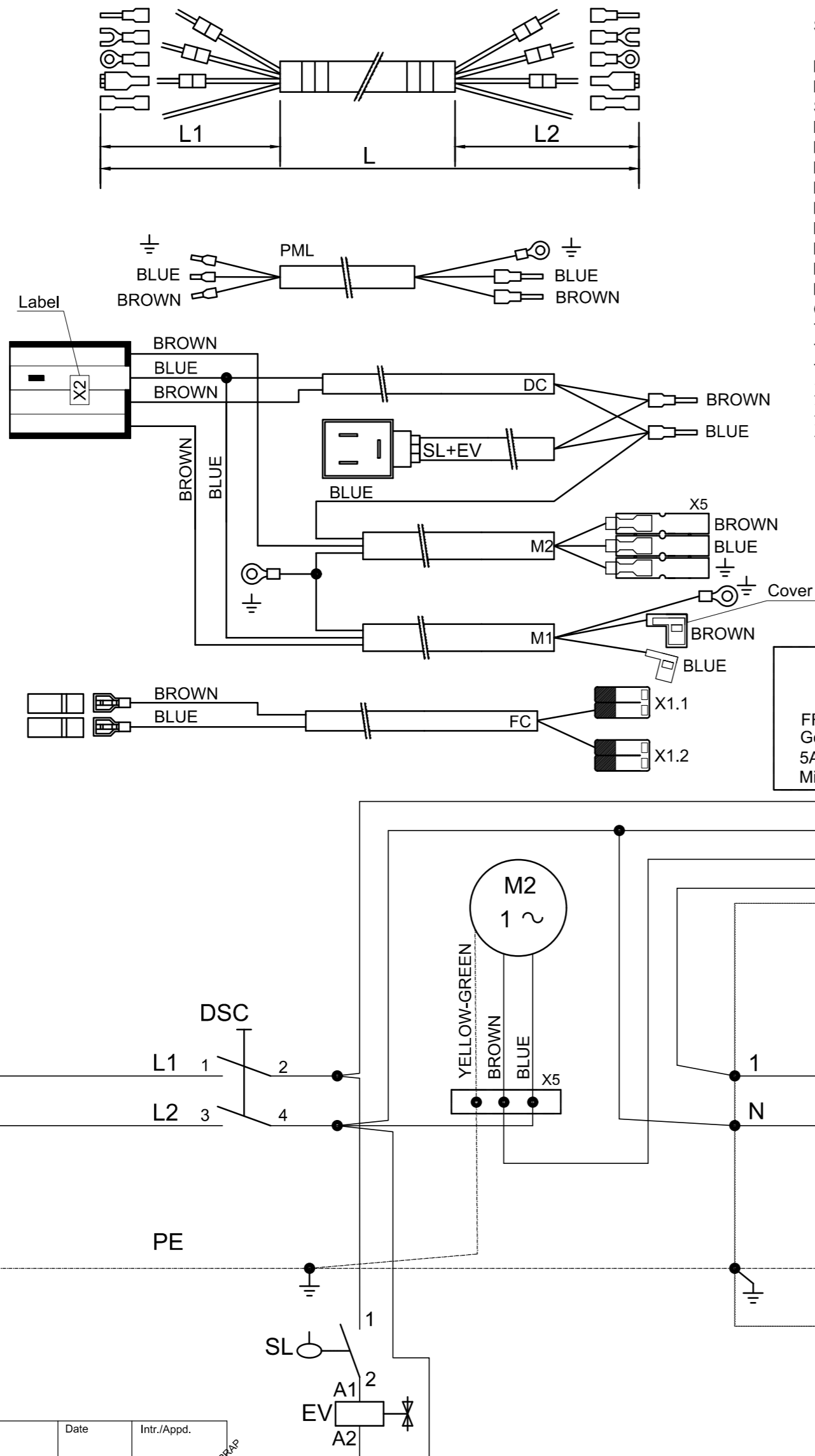
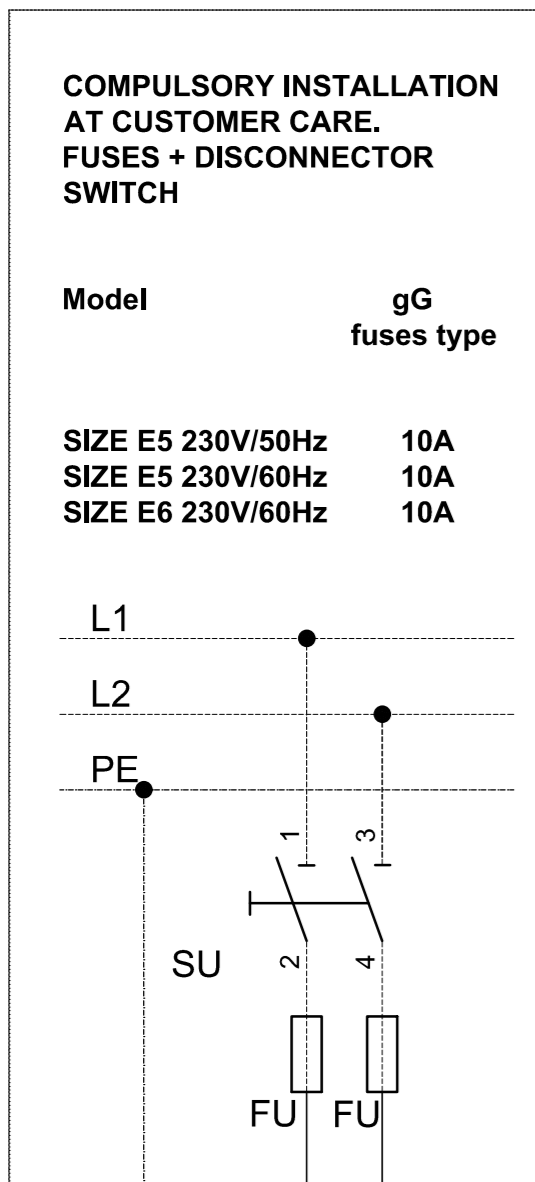


CABLE FOR	LENGTH mm	CABLE TYPE	SIDE A L1 mm	TERMINAL TYPE	SIDE B L2 mm	TERMINAL TYPE	NOTES	ID	DESCRIPTION	TYPE	MANUFACTURER	CODE	QUANT.	POSITION
MAIN SUPPLY PML	3300	3G1 FROR 450/750	100	3xPKE108	100	2xRF-P10 + S1,5-M6		DSC	SWITCH	OT25FT3	ABB	1089949849	1	
SOLENOID VALVE SL+EV	1450	2x1 FROR 450/750	-	43650/B **	80	2xBF-P10			HANDLE	OHBS3RH	ABB	1089949850	1	
DIGITAL CONTROLLER DC	300	2x1 FROR 450/750	80		120					CABLE GLAND	M20X1,5		0698514121	1
MOTOR M1 (*1)	1450	3G1 FROR 450/750	100 - 250PE	4 x BN-FAR608 + S2.5-M6(GND) + X2	70-120PE	2xBN-FAB608 + CFAB600 + S1.5-M4(GND)		X2	CONNECTOR	63N040	CS	1088003857	1	
FAN M2	400	3G1 FROR 450/750	150		60		3xRF-F608P + X5		X4	HOUSING			0993421506	5
FREE CONTACT FC	300	2x1 FROR 450/750	80	2 x BN-FA608 + 2 x X4	80	2 x 221-412		X5	CONNECTOR	PA21		2203080501	3	
									SERVICE DIAGR.			2205022630	1	

(*1) cable $\Phi_{ext} \leq 9.5mm$

- ** SUPPLY WITHOUT GASKET
FIX THE SCREW WITH ADHESIVE TAPE
- SU DISCONNECTOR SWITCH CUSTOMER CARE INSTALLATION
 - FU FUSES CUSTOMER CARE INSTALLATION
 - DSC DISCONNECTOR SWITCH
 - SL LEVEL SWITCH
 - EV DRAIN SOLENOID VALVE
 - M1 COMPRESSOR MOTOR
 - M2 FAN MOTOR
 - DC DIGITAL CONTROLLER
 - K1 OVERLOAD RELAY
 - K2 STARTING RELAY
 - K3 COMPRESSOR SWITCH
 - K4 FAN SWITCH
 - K5 FREE CONTACT
 - C STARTING CAPACITOR
 - T1 TEMPERATURE SENSOR NTC (P1)
 - T2 TEMPERATURE SENSOR NTC (P2)
 - T3 TEMPERATURE SENSOR PTC (P3)
 - X1 FREE CONTACT
 - X2 CONTROLLER CONNECTOR
 - X5 FAN TERMINAL BLOCK



Note	Position	Modified from	Date	Intr./Appd.
03		Title block updated & DN 220541 17 and CID28208	04-04-2022	

All materials supplied are in compliance with the requirements of the List of Prohibited Substances

Tolerances, if not indicated, according to:		General tolerances	
		1350K - V	
Name	SERVICE DIAGRAM SIZE E5 230V 50/60 Hz + E6 230V 60Hz CE FC DSC		
Material	See Drawing		
Treatment	Not Applicable		
Scale	Family	Compare	Drawing owner
Drawn by	Blank nr.	Replaces	CAI
Drawing format	Blank wt.	Designation	Sheet () 01 01
02.00	Kg	Fini wt.	
Blank checked.	Prod checked.	Approved.	Date
			01/03/2018 16:28:52

2205022630

CONFIDENTIAL: This document is property of Atlas Copco AB and shall not be distributed or used without our permission. All rights reserved. Copying, reuse for manufacturing or communication is prohibited to any other person or company.