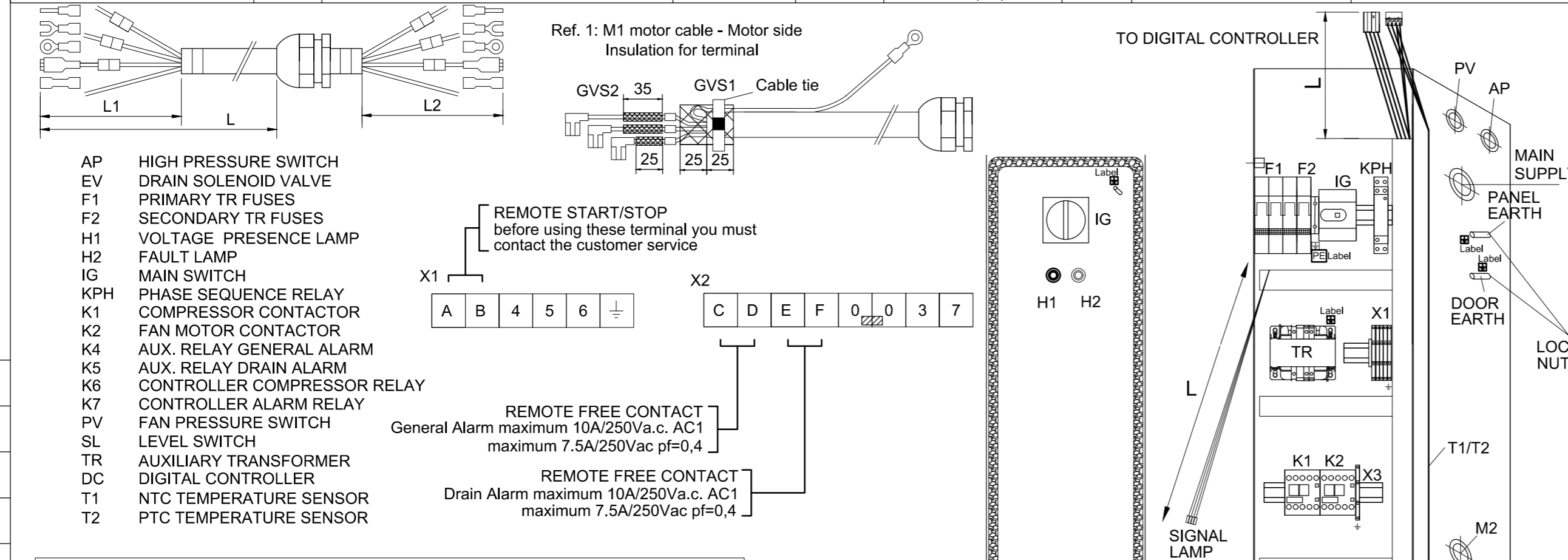
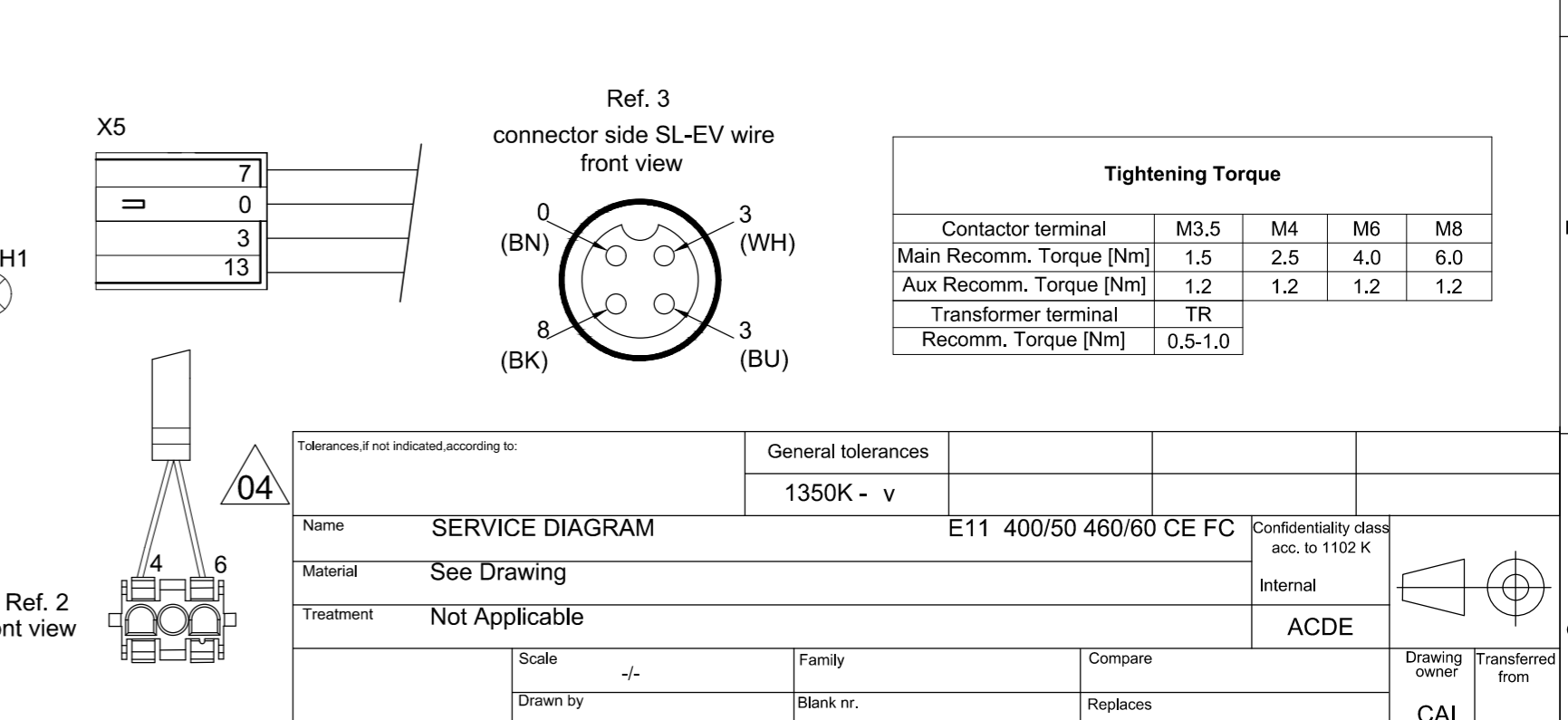
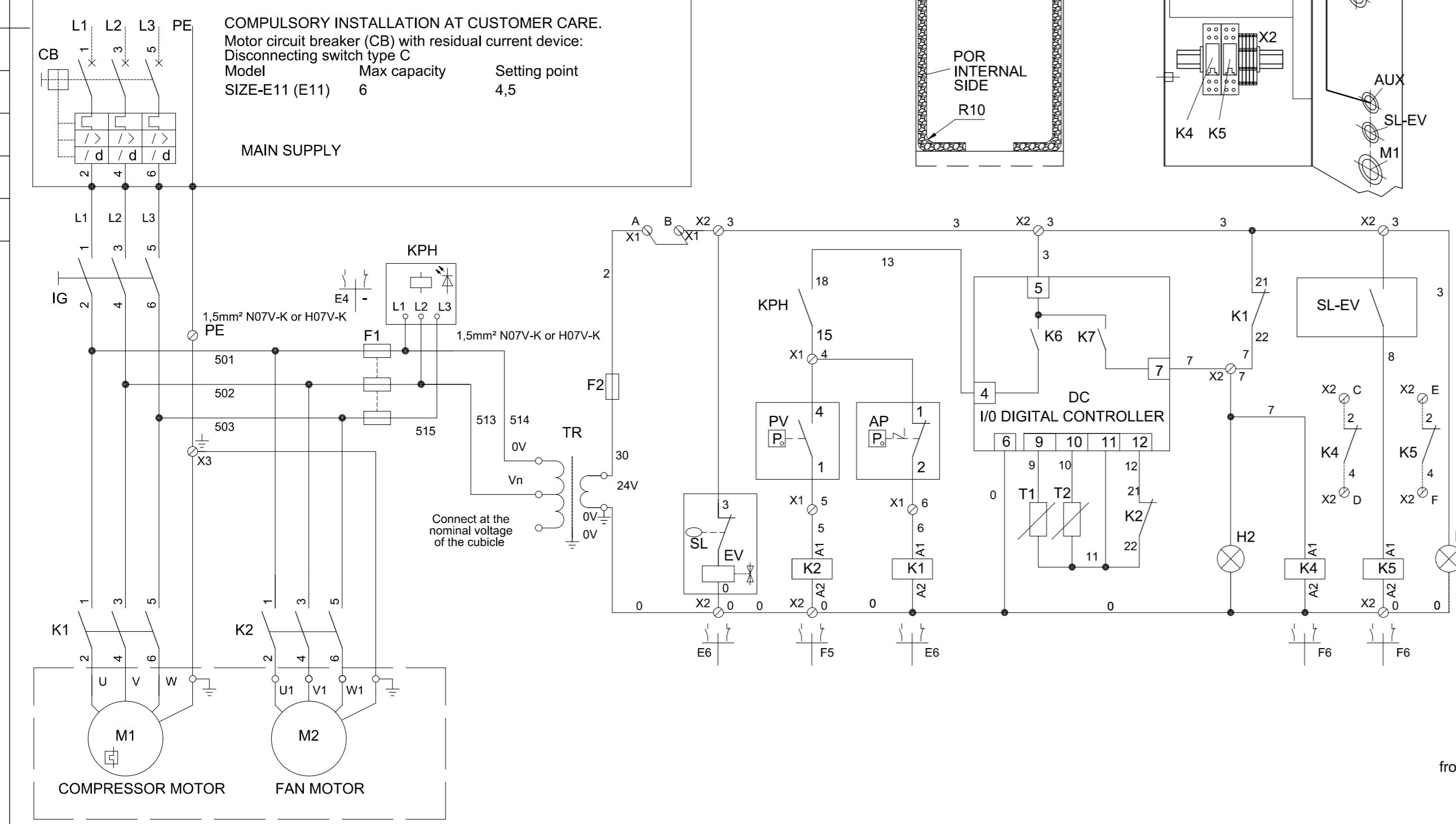


CABLE BILL OF MATERIALS		IDENTIF.		Side A		Side B		Notes	
Cable for	Length [mm]	Cable Type	WIRE	L1 [mm]	Terminal type	L2 (mm)	Terminal type		
MAIN SUPPLY	4500	FROR 450/750 or PECOSOFLEX or equivalent 4x1,5mm ²	L1-L2-L3-PE	80	4x PKE1508	80	4x KE1508		
COMPR. MOTOR M1	2080	FROR 450/750 or PECOSOFLEX or equivalent 4x1,5mm ²	U-V-W-PE	70 U(BK) 95 V(BN) 40 W(GR) 930 PE	3X BN-FAB608 1x S1,5-M4	150	4x KE1508	See ref.1 min bending radius for PE 5 mm	
FAN MOTOR M2	1180	FROR 450/750 or PECOSOFLEX or equivalent 4x1mm ²	U1-V1-W1-PE	70	4x KE110	120	4x KE110		
PRESSURE SWITCH PV	1700	FROR 450/750 or PECOSOFLEX or equivalent 3x1mm ²	4-5-PE	50	2xRF-U4 + RF-M4 (PE)	80	3x KE110		
PRESSURE SWITCH AP	350	FROR 450/750 or PECOSOFLEX or equivalent 2x1mm ²	4-6	50	TYCO	80	2x KE110	See ref. 2	
SOL.VALVE SL-EV	1050	4G0.34	0-3-3-8	-	-	120	-	See ref. 3	
DOOR EARTH CONN.	450	6mm2 N07V-K/H07V-K Ye/Gr	-	-	S6-M5	-	S6-M5	Connected only to the door	
PANEL EARTH CONN.	200	6mm2 N07V-K/H07V-K Ye/Gr	-	-	S6-M5	-	S6-M5	Supply loose	
DIGITAL CONTROLLER X5	200	1-1,5mm ² N07V-K or H05V-K	0-3-7-13	-	4xBN-FAR608 + X5	-	-		
PROBE KIT + WIRING	200	-	-	-	-	-	-		
SIGNAL LAMP	500	1-1,5mm ² N07V-K or H05V-K	0-3-0-7	-	2xRF-F608P (0-7) + 2xBF-F608P (0-3)	-	-		

BILL OF MATERIALS		2205023501 rev00 CUBICLE E11 400V RAL7040			
ID	Description	Type	Manuf.	Code	Quant. Notes
IG	MAIN SWITCH	OT25F3	ABB	1089949843	1
H1	SHAFT	OXS6X130	ABB	1089949855	1
H2	HANDLE	OHYS3AH1	ABB	1089949852	1
H1	SIGNAL LAMP 24V GREEN	33.5 CONN. 6,3x0,8		1089959602	1
H2	SIGNAL LAMP 24V RED	33.5 CONN. 6,3x0,8		1089959601	1
K1	CONTACTOR	AS09-30-01-20	ABB	1089960219	1
K2	CONTACTOR	AS09-30-01-20	ABB	1089960219	1
K4-K5	AUX RELAY	G2R-1-SNJ 24Vac	OMRON	1089944926	2
K4-K5	AUX RELAY BASE	P2RF-05-E	OMRON	1089944933	2
TR	TRANSFORMER	0-400-460V/0-24-25V, 70VA (SAFETY ISOLATING)		2202823300	1
F1	FUSE	1A 10x38 gG		1089061222	3
F1	FUSE HOLDER	BCH 3x38		1089959403	1
F2	FUSE	2A 10x38 gG		1089061223	1
F2	FUSE HOLDER	BCH 1x38		1089959401	1
X1	TERMINAL	HMM.2/2+2/GR	CABUR	1088151036	5
X1	GROUND TERMINAL	HTE.2/2+2	CABUR	1088151011	1
X1	END PLATE	HMT.2/2+2/PT/GR	CABUR	1088151015	1
X1	END STOP	249-116	WAGO	1088003181	1
X2	TERMINAL	HMM.2/2+2/GR	CABUR	1088151036	8
X2	END PLATE	HMT.2/2+2/PT/GR	CABUR	1088151015	1
X2	END STOP	249-116	WAGO	1088003181	2
X3	GROUND TERMINAL	HTE.2/2+2	CABUR	1088151011	1
X3	END PLATE	HMT.2/2+2/PT/GR	CABUR	1088151015	1
PE	GROUND TERMINAL	8WA1011-1PH00	SIEMENS	1089050628	1
PE	CABLE GLAND (SUPPLY LINE)	M25x1,5 STR		0698514122	2
PE	NUT	M25x1,5		0697980954	2
PE	CABLE GLAND (M1)	M25x1,5 STR		0698514122	1
PE	NUT	M25x1,5		0697980954	1
PE	CABLE GLAND (M2)	M20x1,5		0698514121	1
PE	NUT	M20x1,5		0697980953	1
PE	CABLE GLAND (PV, AP, SL-EV,AUX)	M16x1,5		0698514123	4
PE	NUT	M16x1,5		0697980920	4
PE	MULTIPL.SEALING (AUX)	2x4		0698514813	1
PE	BOX	-		2202807000	1
PE	PRINTED DOOR (RAL 7040)	-		2204214981	1
POR	SEAL	8x8		2204212701	2m
KPH	PHASE SEQUENCE RELAY	DPA 51 C M44	GAVAZZI	1089957516	1
AP	CAP	926 683-3	TYCO	1088001523	1
AP	SOCKET	AMP 926 893-1	TYCO	1088001534	2
SL-EV	CABLE ASSY FOR SL-EV	XZ CP1141L2 (L=2m)	TELEMECANIQUE	1088002120	1
GVS1	INSULATION FOR TERMINAL	GVS12KV1,5	ELEKTROZUBERHOR	--	1
GVS2	INSULATION FOR TERMINAL	GVS12KV1,5	ELEKTROZUBERHOR	--	3
X5	PROBE KIT + WIRING	63N040		2205041651	1
X5	CONNECTOR		CS	1089003857	1
X5	GLOSSARY			2200772335	1
X5	SERVICE DIAGRAM	A3 FORMAT		2205023500	2



2205023502 rev00 CUBICLE E11 460V RAL7040:		same as 2205023501 with connection on primary of TR at 460V	
2205023503 rev00 CUBICLE E11 400V RAL7021:		same as 2205023501 with following differences:	
PRINTED DOOR (RAL 7021)	-	2204214983	1
2205023504 rev00 CUBICLE E11 460V RAL7021:		same as 2205023503 with connection on primary of TR at 460V	
2205023505 rev00 CUBICLE E11 400V RAL7021F:		same as 2205023503 with following differences:	
PRINTED DOOR (RAL 7021F)	-	2204214985	1
2205023506 rev00 CUBICLE E11 460V RAL7021F:		same as 2205023505 with connection on primary of TR at 460V	
2205023507 rev00 CUBICLE E11 400V RAL7021:		same as 2205023501 with following differences:	
PRINTED DOOR (RAL 7011)	-	2204214982	1
2205023508 rev00 CUBICLE E11 460V RAL7021F:		same as 2205023507 with connection on primary of TR at 460V	
2205023509 rev01 CUBICLE E11 400V RAL5002:		same as 2205023501 with following differences:	
PRINTED DOOR (RAL 5002)	-	2204214986	1
2205023594 rev02 CUBICLE E11 400V RAL7035:		same as 2205023501 with following differences:	
PRINTED DOOR (RAL 7035)	-	2204214987	1
2205023595 rev02 CUBICLE E11 460V RAL7035:		same as 2205023595 with connection on primary of TR at 460V	



Note	Position	Modified from	Date	Intr./Appd.
04		Title block updated & DN 220541 17 and CID28208	04-04-2022	

All materials supplied are in compliance with the requirements of the List of Prohibited Substances		Parent 3D Model	Ed.Version 3D
Tolerances, if not indicated, according to:		General tolerances	1350K - v
Name		SERVICE DIAGRAM E11 400/50 460/60 CE FC	
Material		See Drawing	
Treatment		Not Applicable	
Scale	-/-	Family	Compare
Drawn by		Blank nr.	Replaces
Drawing format	03.00	Blank wt.	Designation
Des checked.		Prod checked.	Approved.
Date		12/02/2020	
Sheet		01 01	
Drawing owner		CAI	
Transferred from			
STATUS		Approved Internal	
2205023500			

CONFIDENTIAL: This document is property of Abate Copico AB and shall not be used without our permission. All rights reserved. No part of this document may be reproduced, stored in a retrieval system, or transmitted in any form or by any means, electronic, mechanical, photocopying, recording, or by any information storage and retrieval system, without the prior written permission of Abate Copico AB.