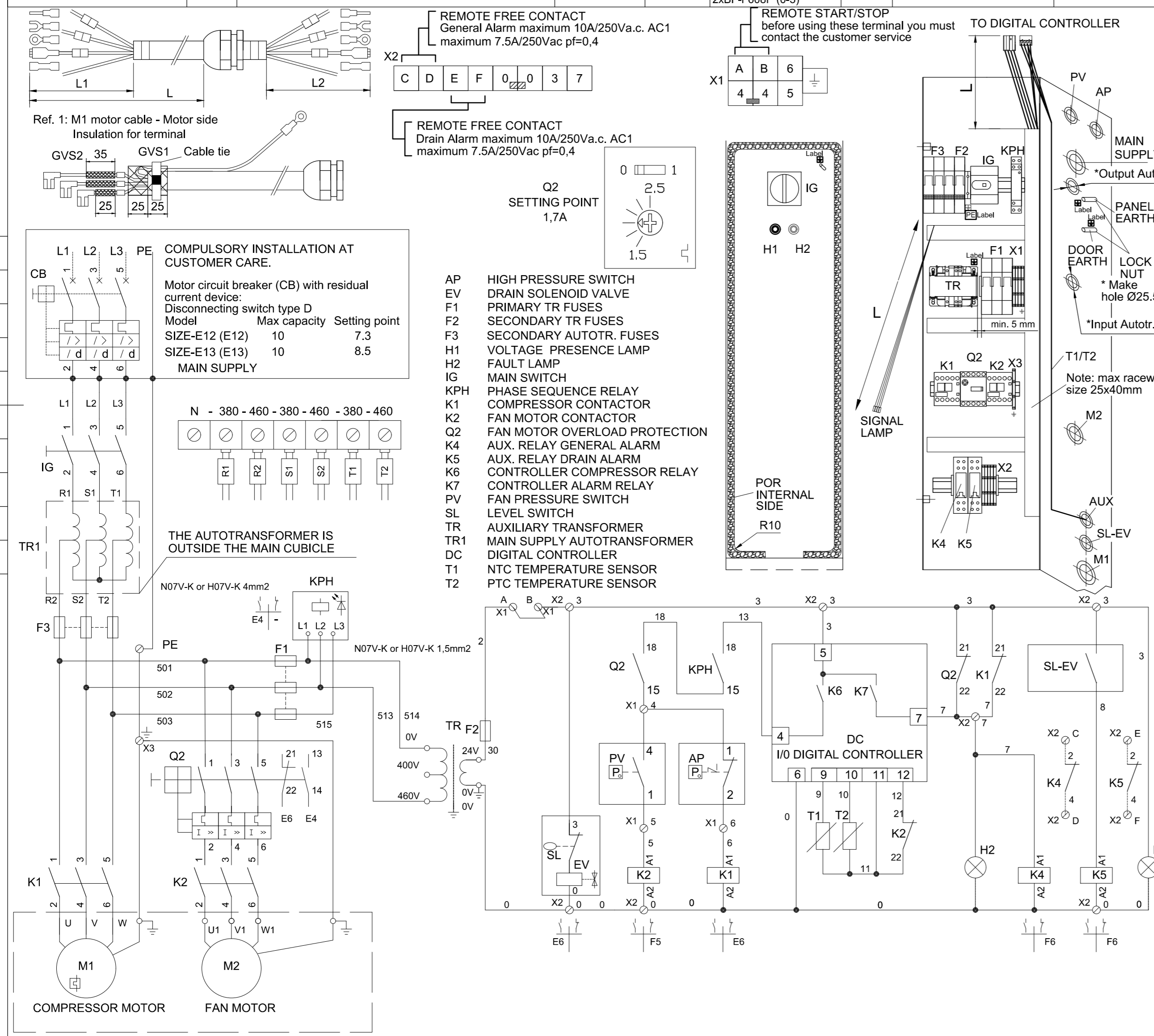
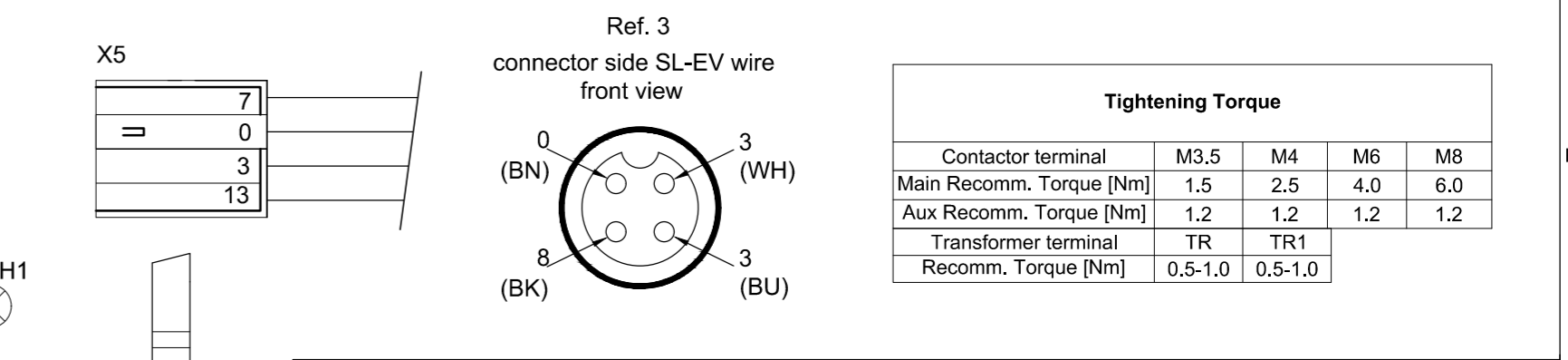


CABLE BILL OF MATERIALS	Length [mm]	Cable Type	WIRE	Side A L1 [mm]	Terminal type	Side B L2 [mm]	Terminal type	Notes
MAIN SUPPLY	4500	FROR 450/750 or PECISO FLEX or equivalent 4x4mm <sup>2</sup>	L1-L2-L3-PE	80	4x PKE410	80	4x KE410ST	
AUTOTRASF.OUTPUT	1800	FROR 450/750 or PECISO FLEX or equivalent 4x4mm <sup>2</sup>	R2-S2-T2-PE	230-300(PE)	3xGF-U4+GP-M6	80	4x KE410ST	
AUTOTRASF.INPUT	1700	FROR 450/750 or PECISO FLEX or equivalent 4x4mm <sup>2</sup>	R1-S1-T1-PE	230-300(PE)	3xGF-U4+GP-M6	80	4x KE410ST	
COMPR. MOTOR M1	2080	FROR 450/750 or PECISO FLEX or equivalent 4x4mm <sup>2</sup>	U-V-W-PE	70 U(BK) 95 V(BN) 40 W(GR) 930 PE	3 x INARCA cod 0211068201 + S4-M4	150	4x KE2508	See ref.1 min bending radius for PE 5 mm
FAN MOTOR M2	1180	FROR 450/750 or PECISO FLEX or equivalent 4x1,5mm <sup>2</sup>	U1-V1-W1-PE	70	4x KE1508ST	120	4x KE1508ST	
PRESSURE SWITCH PV	1700	FROR 450/750 or PECISO FLEX or equivalent 3x1mm <sup>2</sup>	4-5-PE	50	2xRF-U4 + RF-M4 (PE)	80	3x KE110	
PRESSURE SWITCH AP	350	FROR 450/750 or PECISO FLEX or equivalent 2x1mm <sup>2</sup>	4-6	50	TYCO	80	2x KE110	See ref. 2
SOL.VALVE SL-EV	1050	4G0.34	0-3-3-8	-	-	120	-	See ref. 3
DOOR EARTH CONN.	450	6mm2 N07V-K/H07V-K Ye/Gr	-	-	S6-M5	-	S6-M5	Connected only to the door
PANEL EARTH CONN.	200	6mm2 N07V-K/H07V-K Ye/Gr	-	-	S6-M5	-	S6-M5	Supply loose
DIGITAL CONTROLLER X5	200	1-1.5mm <sup>2</sup> N07V-K or H05V-K	0-3-7-13	-	4xBN-FAR608 + X5	-	-	-
PROBE KIT + WIRING	200	-	-	-	-	-	-	-
SIGNAL LAMP	500	1-1.5mm <sup>2</sup> N07V-K or H05V-K	0-3-0-7	-	2xRF-F608P (0-7) + 2xBF-F608P (0-3)	-	-	-

BILL OF MATERIALS						
ID	Description	Type	Manuf.	Code	Quant.	Notes
<b>2205023541 rev00 CUBICLE E12-13 380V/60 RAL7040</b>						
IG	MAIN SWITCH	OT40F3	ABB	1089949844	1	
	SHAFT	OX56X130	ABB	1089949855	1	
	HANDLE	OHYS3AH1	ABB	1089949852	1	
H1	SIGNAL LAMP 24V GREEN	33.5 CONN. 6,3x0,8		1089959602	1	loose in a plastic bag
H2	SIGNAL LAMP 24V RED	33.5 CONN. 6,3x0,8		1089959601	1	
Q2	FAN CIRCUIT BREAKER (1.6-2.5A)	MS116-2.5	ABB	1089955107	1	
	AUX. CONTACT	HKF1-11	ABB	1089955197	1	
K1	CONTACTOR	AS12-30-01-20	ABB	1089960221	1	
K2	CONTACTOR	AS09-30-01-20	ABB	1089960219	1	
K4-K5	AUX RELAY	G2R-1-SNI 24Vac	OMRON	1089944926	2	
	AUX RELAY BASE	P2RF-05-E	OMRON	1089944933	2	
TR	TRANSFORMER	0-400-460V/0-24-25V, 70VA (SAFETY ISOLATING)		2202823300	1	
F1	FUSE	1A 10x38 gG		1089061222	3	
	FUSE HOLDER	BCH 3x38		1089959403	1	
F2	FUSE	2A 10x38 gG		1089061223	1	
	FUSE HOLDER	BCH 1x38		1089959401	1	
F3	FUSE	16A 10x38 gG		1089061228	3	
	FUSE HOLDER	BCH 3x38		1089959403	1	
X1	TERMINAL	HMD.2/2+2	CABUR	1088151022	3	
	END PLATE	HMD.1/PT/GR	CABUR	1088151516	1	
	JUMPER BAR	PTC/1/02	CABUR	1088151017	1	
	GROUND TERMINAL	HTE.2/2+2	CABUR	1088151011	1	
	END PLATE	HMT.2/2+2/PT/GR	CABUR	1088151015	1	
	END STOP	249-116	WAGO	1088003181	1	
X2	TERMINAL	HMM.2/2+2/GR	CABUR	1088151036	8	
	END PLATE	HMT.2/2+2/PT/GR	CABUR	1088151015	1	
	END STOP	249-116	WAGO	1088003181	2	
X3	GROUND TERMINAL	HTE.2/2+2	CABUR	1088151011	1	
PE	END PLATE	HMT.2/2+2/PT/GR	CABUR	1088151015	1	
	GROUND TERMINAL	8WA1011-1PH00	SIEMENS	1089050628	1	
	CABLE GLAND (SUPPLY LINE)	M25x1,5		0698514117	2	1xloose
	NUT	M25x1,5		0697980954	2	1xloose
	CABLE GLAND (AUTOTRASF. IN/OUT)	M25x1,5		0698514117	4	On the cable
	NUT	M25x1,5		0697980954	4	
	CABLE GLAND (M1)	M25x1,5		0698514117	1	
	NUT	M25x1,5		0697980954	1	
	CABLE GLAND (M2)	M20x1,5		0698514121	1	
	NUT	M20x1,5		0697980953	1	
	CABLE GLAND (PV, AP, SL-EV,AUX)	M16x1,5		0698514123	4	
	NUT	M16x1,5		0697980920	4	
	MULTIPL.SEALING (AUX)	2x4		0698514813	1	
	BOX	-		2202807000	1	
	PRINTED DOOR (RAL 7040)	-		2204214981	1	
POR	SEAL	8x8		2204212701	2m	
KPH	PHASE SEQUENCE RELAY	DPA 51 C M44	GAVAZZI	1089957516	1	
AP	CAP	926 683-3	TYCO	1088001523	1	
	SOCKET	AMP 926 893-1	TYCO	1088001534	2	
SL-EV	CABLE ASSY FOR SL-EV	XZ CP1141L2 (L=2m)	TELEMECANIQUE	1088002120	1	
GVS1	INSULATION FOR TERMINAL	GVS12KV1.5	ELEKTROZUBERHOR	--	1	L=50 mm
GVS2	INSULATION FOR TERMINAL	GVS12KV1.5	ELEKTROZUBERHOR	--	3	L=2x35mm + 1x25mm
	INSULATION FOR TERMINAL			2202904900	2	
	PROBE KIT + WIRING			2205041651	1	
X5	CONNECTOR	63N040	CS	1089003857	1	
	GLOSSARY			2200772335	1	
	SERVICE DIAGRAM	A3 FORMAT		2205023540	2	



<b>2205023542 rev00 CUBICLE E12-13 380V/60 RAL7021:</b> same as 2205023541 with following differences:					
	PRINTED DOOR (RAL 7021)	-		2204214983	1
<b>2205023543 rev00 CUBICLE E12-13 380V/60 RAL7021F:</b> same as 2205023541 with following differences:					
	PRINTED DOOR (RAL 7021F)	-		2204214985	1
<b>2205023544 rev00 CUBICLE E12-13 380V/60 RAL7011:</b> same as 2205023541 with following differences:					
	PRINTED DOOR (RAL 7011)	-		2204214982	1
<b>2205023545 rev00 CUBICLE E12-13 380V/60 RAL5002:</b> same as 2205023541 with following differences:					
	PRINTED DOOR (RAL 5002)	-		2204214986	1
<b>2205023546 rev01 CUBICLE E12-13 380V/60 RAL7035:</b> same as 2205023541 with following differences:					
	PRINTED DOOR (RAL 7035)	-		2204214987	1



Name		General tolerances		Confidentiality class	
SERVICE DIAGRAM		1350K - v		E12-13 380/60 CE FC	
Material		See Drawing		Internal	
Treatment		Not Applicable		ACDE	
Scale		-		Compare	
Drawn by		Blank nr.		Replaces	
Drawing format		Blank wt.		Drawing owner	
02.00		Kg		Transferred from	
Des checked.		Prod checked.		CAI	
Approved.		Date		Sheet ( ) 01 01	
14/02/2020		Designation		2205023540	

CONFIDENTIAL: This document is property of Abate Copco AB and shall not be used without our permission. All rights reserved. Copying, distribution or manufacturing is prohibited without our written permission.

All materials supplied are in compliance with the requirements of the List of Prohibited Substances

Parent 3D Model

Ed.Version 3D

Approved Internal

14/02/2020