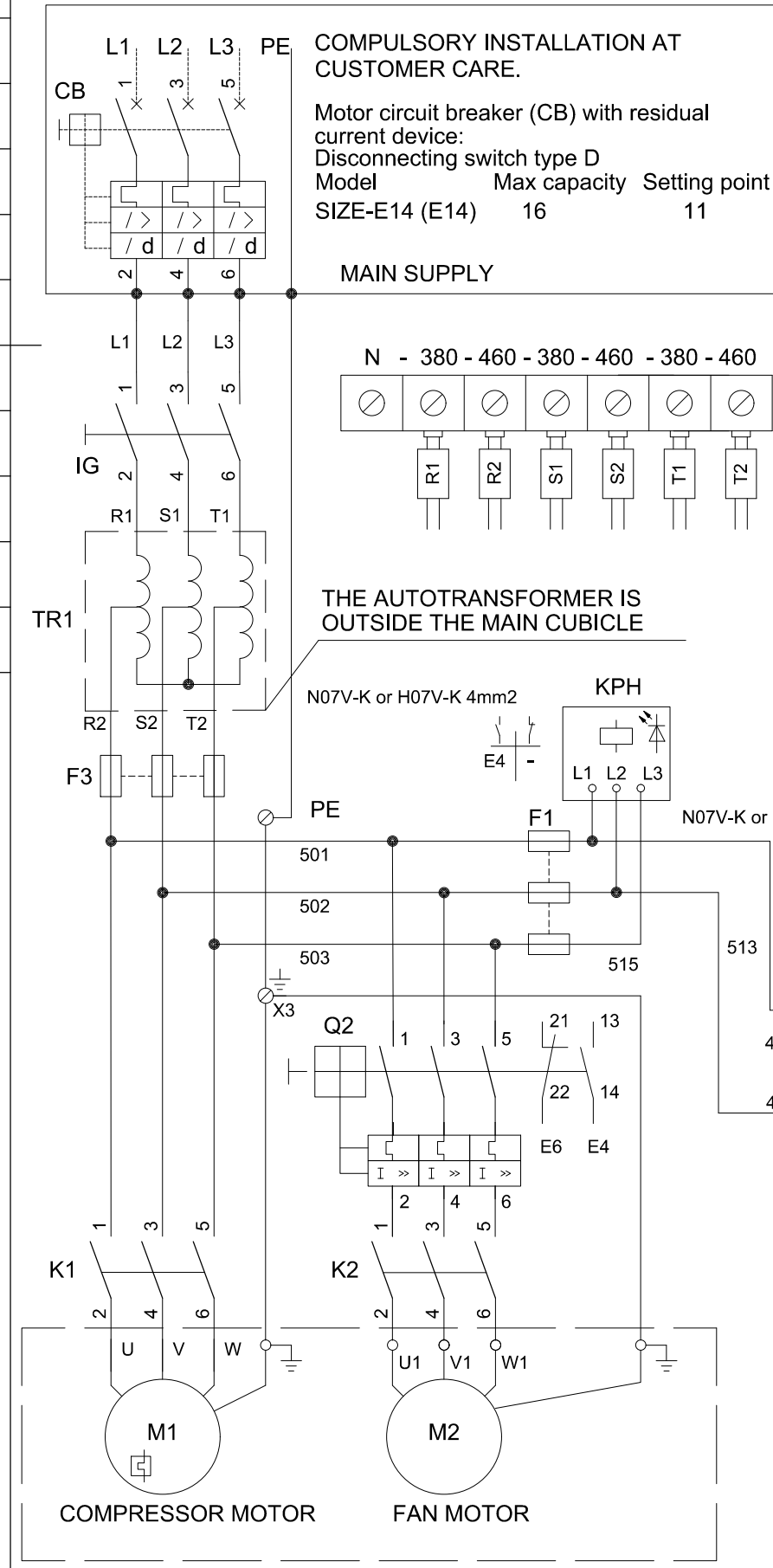
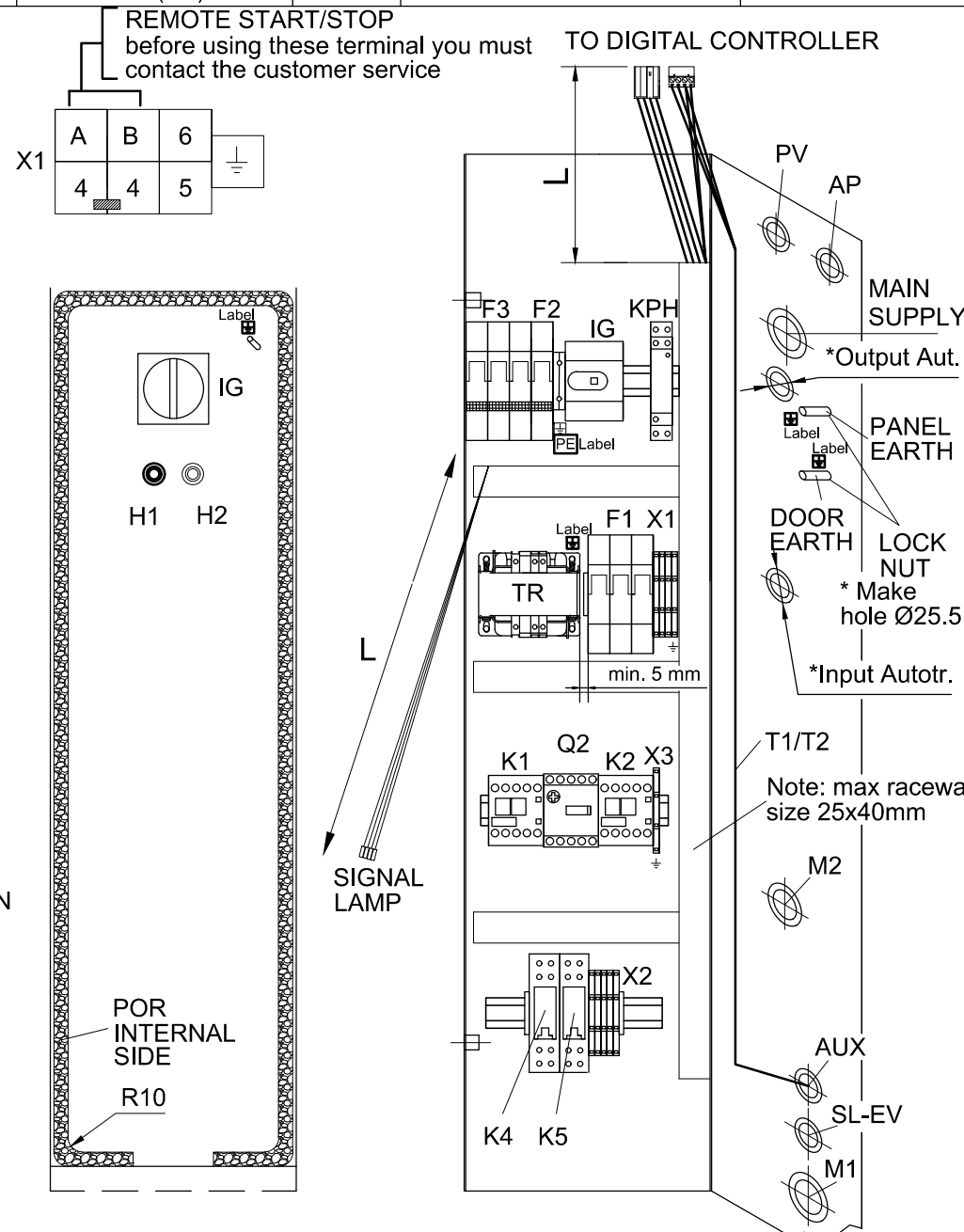
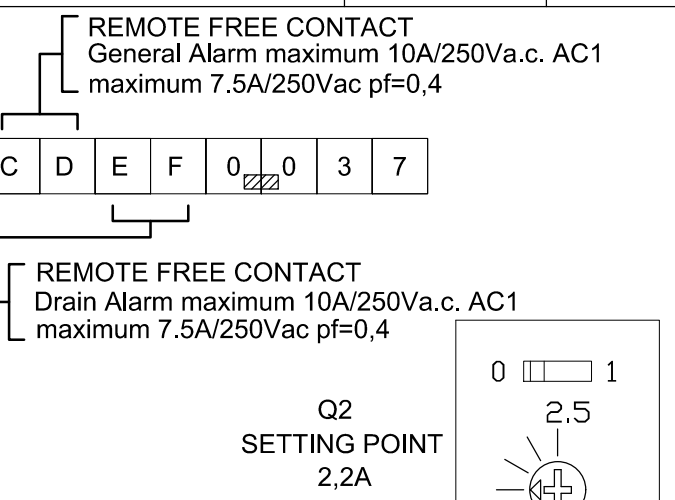
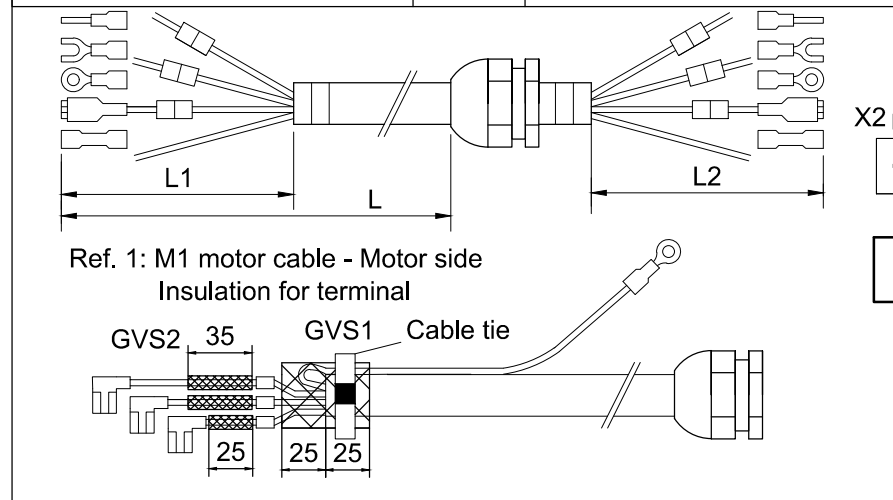


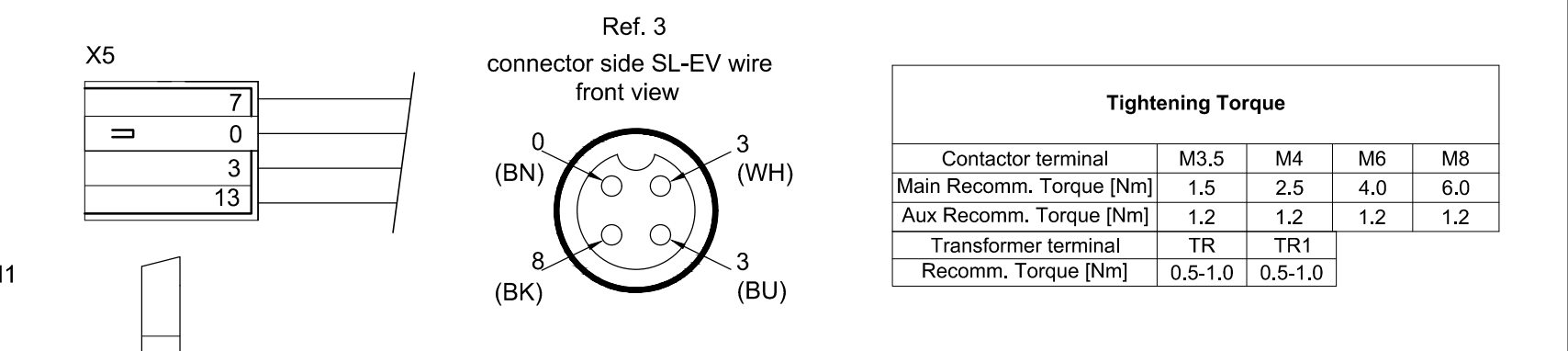
CABLE BILL OF MATERIALS			IDENTIF.	Side A	Side B	Notes	
Cable for	Length [mm]	Cable Type	WIRE	L1 [mm]	Terminal type	L2 (mm)	Terminal type
MAIN SUPPLY	4500	FROR 450/750 or PECISO FLEX or equivalent 4x4mm ²	L1-L2-L3-PE	80	4x PKE410	80	4x KE410ST
AUTOTRASF.OUTPUT	1800	FROR 450/750 or PECISO FLEX or equivalent 4x4mm ²	R2-S2-T2-PE	180-300(PE)	3xGF-U4+GP-M6	80	4x KE410ST
AUTOTRASF.INPUT	1700	FROR 450/750 or PECISO FLEX or equivalent 4x4mm ²	R1-S1-T1-PE	180-300(PE)	3xGF-U4+GP-M6	80	4x KE410ST
COMPR. MOTOR M1	2080	FROR 450/750 or PECISO FLEX or equivalent 4x4mm ²	U-V-W-PE	70 U(BK) 95 V(BN) 40 W(GR) 930 PE	3 x INARCA cod 0211068201 + S4-M4	150	4x KE2508
FAN MOTOR M2	1180	FROR 450/750 or PECISO FLEX or equivalent 4x1,5mm ²	U1-V1-W1-PE	70	4x KE1508ST	120	4x KE1508ST
PRESSURE SWITCH PV	1700	FROR 450/750 or PECISO FLEX or equivalent 3x1mm ²	4-5-PE	50	2xRF-U4 + RF-M4 (PE)	80	3x KE110
PRESSURE SWITCH AP	350	FROR 450/750 or PECISO FLEX or equivalent 2x1mm ²	4-6	50	TYCO	80	2x KE110
SOL.VALVE SL-EV	1050	4G0.34	0-3-3-8	-	-	120	-
DOOR EARTH CONN.	450	6mm2 N07V-K/H07V-K Ye/Gr	-	-	S6-M5	-	S6-M5
PANEL EARTH CONN.	200	6mm2 N07V-K/H07V-K Ye/Gr	-	-	S6-M5	-	S6-M5
DIGITAL CONTROLLER X5	200	1-1.5mm ² N07V-K or H05V-K	0-3-7-13	-	4xBN-FAR608 + X5	-	-
PROBE KIT + WIRING	200	-	-	-	-	-	-
SIGNAL LAMP	500	1-1.5mm ² N07V-K or H05V-K	0-3-0-7	-	2xRF-F608P (0-7) + 2xBF-F608P (0-3)	-	-

BILL OF MATERIALS						
ID	Description	Type	Manuf.	Code	Quant.	Notes
2205023551 rev00 CUBICLE E14 380V/60 RAL7040						
IG	MAIN SWITCH	OT40F3	ABB	1089949844	1	
	SHAFT	OX56X130	ABB	1089949855	1	
	HANDLE	OHYS3AH1	ABB	1089949852	1	
H1	SIGNAL LAMP 24V GREEN	33.5 CONN. 6,3x0,8		1089959602	1	loose in a plastic bag
H2	SIGNAL LAMP 24V RED	33.5 CONN. 6,3x0,8		1089959601	1	
Q2	FAN CIRCUIT BREAKER (1.6-2.5A)	MS116-2.5	ABB	1089955107	1	
	AUX. CONTACT	HKF1-11	ABB	1089955197	1	
K1	CONTACTOR	AS12-30-01-20	ABB	1089960221	1	
K2	CONTACTOR	AS09-30-01-20	ABB	1089960219	1	
K4-K5	AUX RELAY	G2R-1-SNI 24Vac	OMRON	1089944926	2	
	AUX RELAY BASE	P2RF-05-E	OMRON	1089944933	2	
TR	TRANSFORMER	0-400-460V/0-24-25V, 70VA (SAFETY ISOLATING)		2202823300	1	
F1	FUSE	1A 10x38 gG		1089061222	3	
	FUSE HOLDER	BCH 3x38		1089959403	1	
F2	FUSE	2A 10x38 gG		1089061223	1	
	FUSE HOLDER	BCH 1x38		1089959401	1	
F3	FUSE	16A 10x38 gG		1089061228	3	
	FUSE HOLDER	BCH 3x38		1089959403	1	
X1	TERMINAL	HMD.2/2+2	CABUR	1088151022	3	
	END PLATE	HMD.1/PT/GR	CABUR	1088151516	1	
	JUMPER BAR	PTC/1/02	CABUR	1088151017	1	
	GROUND TERMINAL	HTE.2/2+2	CABUR	1088151011	1	
	END PLATE	HMT.2/2+2/PT/GR	CABUR	1088151015	1	
	END STOP	249-116	WAGO	1088003181	1	
X2	TERMINAL	HMM.2/2+2/GR	CABUR	1088151036	8	
	END PLATE	HMT.2/2+2/PT/GR	CABUR	1088151015	1	
	END STOP	249-116	WAGO	1088003181	2	
X3	GROUND TERMINAL	HTE.2/2+2	CABUR	1088151011	1	
PE	END PLATE	HMT.2/2+2/PT/GR	CABUR	1088151015	1	
	GROUND TERMINAL	8WA1011-1PH00	SIEMENS	1089050628	1	
	CABLE GLAND (SUPPLY LINE)	M25x1,5		0698514117	2	1xloose
	NUT	M25x1,5		0697980954	2	1xloose
	CABLE GLAND (AUTOTRASF. IN/OUT)	M25x1,5		0698514117	4	On the cable
	NUT	M25x1,5		0697980954	4	
	CABLE GLAND (M1)	M25x1,5		0698514117	1	
	NUT	M25x1,5		0697980954	1	
	CABLE GLAND (M2)	M20x1,5		0698514121	1	
	NUT	M20x1,5		0697980953	1	
	CABLE GLAND (PV, AP, SL-EV,AUX)	M16x1,5		0698514123	4	
	NUT	M16x1,5		0697980920	4	
	MULTIPL.SEALING (AUX)	2x4		0698514813	1	
	BOX	-		2202807000	1	
	PRINTED DOOR (RAL 7040)	-		2204214981	1	
POR	SEAL	8x8		2204212701	2m	
KPH	PHASE SEQUENCE RELAY	DPA 51 C M44	GAVAZZI	1089957516	1	
AP	CAP	926 683-3	TYCO	1088001523	1	
	SOCKET	AMP 926 893-1	TYCO	1088001534	2	
SL-EV	CABLE ASSY FOR SL-EV	XZ CP1141L2 (L=2m)	TELEMECANIQUE	1088002120	1	
GVS1	INSULATION FOR TERMINAL	GVS12KV1.5	ELEKTROZUBERHOR	--	1	L=50 mm
GVS2	INSULATION FOR TERMINAL	GVS12KV1.5	ELEKTROZUBERHOR	--	3	L=2x35mm + 1x25mm
	INSULATION FOR TERMINAL	-		2202904900	2	
	PROBE KIT + WIRING	-		2205041651	1	
X5	CONNECTOR	63N040	CS	1089003857	1	
	GLOSSARY	-		2200772335	1	
	SERVICE DIAGRAM	A3 FORMAT		2205023550	2	



- AP HIGH PRESSURE SWITCH
- EV DRAIN SOLENOID VALVE
- F1 PRIMARY TR FUSES
- F2 SECONDARY TR FUSES
- F3 SECONDARY AUTOTR. FUSES
- H1 VOLTAGE PRESENCE LAMP
- H2 FAULT LAMP
- IG MAIN SWITCH
- KPH PHASE SEQUENCE RELAY
- K1 COMPRESSOR CONTACTOR
- K2 FAN MOTOR CONTACTOR
- Q2 FAN MOTOR OVERLOAD PROTECTION
- K4 AUX. RELAY GENERAL ALARM
- K5 AUX. RELAY DRAIN ALARM
- K6 CONTROLLER COMPRESSOR RELAY
- K7 CONTROLLER ALARM RELAY
- PV FAN PRESSURE SWITCH
- SL LEVEL SWITCH
- TR AUXILIARY TRANSFORMER
- TR1 MAIN SUPPLY AUTOTRANSFORMER
- DC DIGITAL CONTROLLER
- T1 NTC TEMPERATURE SENSOR
- T2 PTC TEMPERATURE SENSOR

2205023552 rev00 CUBICLE E14 380V/60 RAL7021: same as 2205023551 with following differences:						
	PRINTED DOOR (RAL 7021)	-		2204214983	1	
2205023553 rev00 CUBICLE E14 380V/60 RAL7021F: same as 2205023551 with following differences:						
	PRINTED DOOR (RAL 7021F)	-		2204214985	1	
2205023554 rev00 CUBICLE E14 380V/60 RAL7011: same as 2205023551 with following differences:						
	PRINTED DOOR (RAL 7011)	-		2204214982	1	
2205023555 rev00 CUBICLE E14 380V/60 RAL5002: same as 2205023551 with following differences:						
	PRINTED DOOR (RAL 5002)	-		2204214986	1	
2205023556 rev01 CUBICLE E14 380V/60 RAL7035: same as 2205023551 with following differences:						
	PRINTED DOOR (RAL 7035)	-		2204214987	1	



Note	Position	Modified from	Date	Intr./Appd.
03		Title block updated & DN 220541 17 and CID28208	04-04-2022	

All materials supplied are in compliance with the requirements of the List of Prohibited Substances				Parent 3D Model	Ed.Version 3D	Approved Internal		Date 14/02/2020	Sheet () 01 01	2205023550
---	--	--	--	-----------------	---------------	-------------------	--	-----------------	-----------------	------------

CONFIDENTIAL: This document is property of Abate Copco AB and shall not be used without our permission. All rights reserved. Copying, distribution or communication to any other person or company is prohibited.