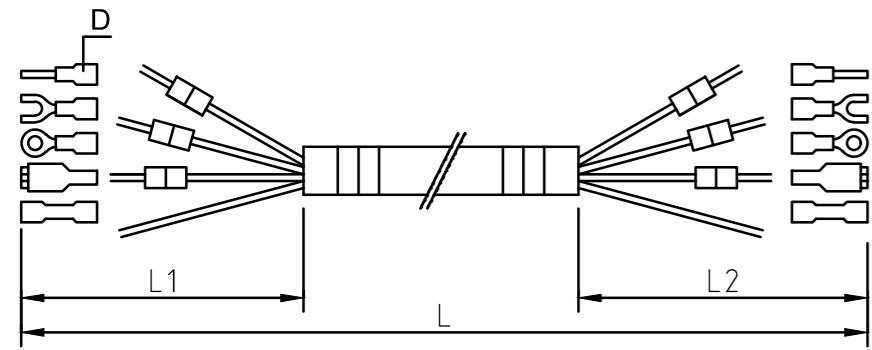
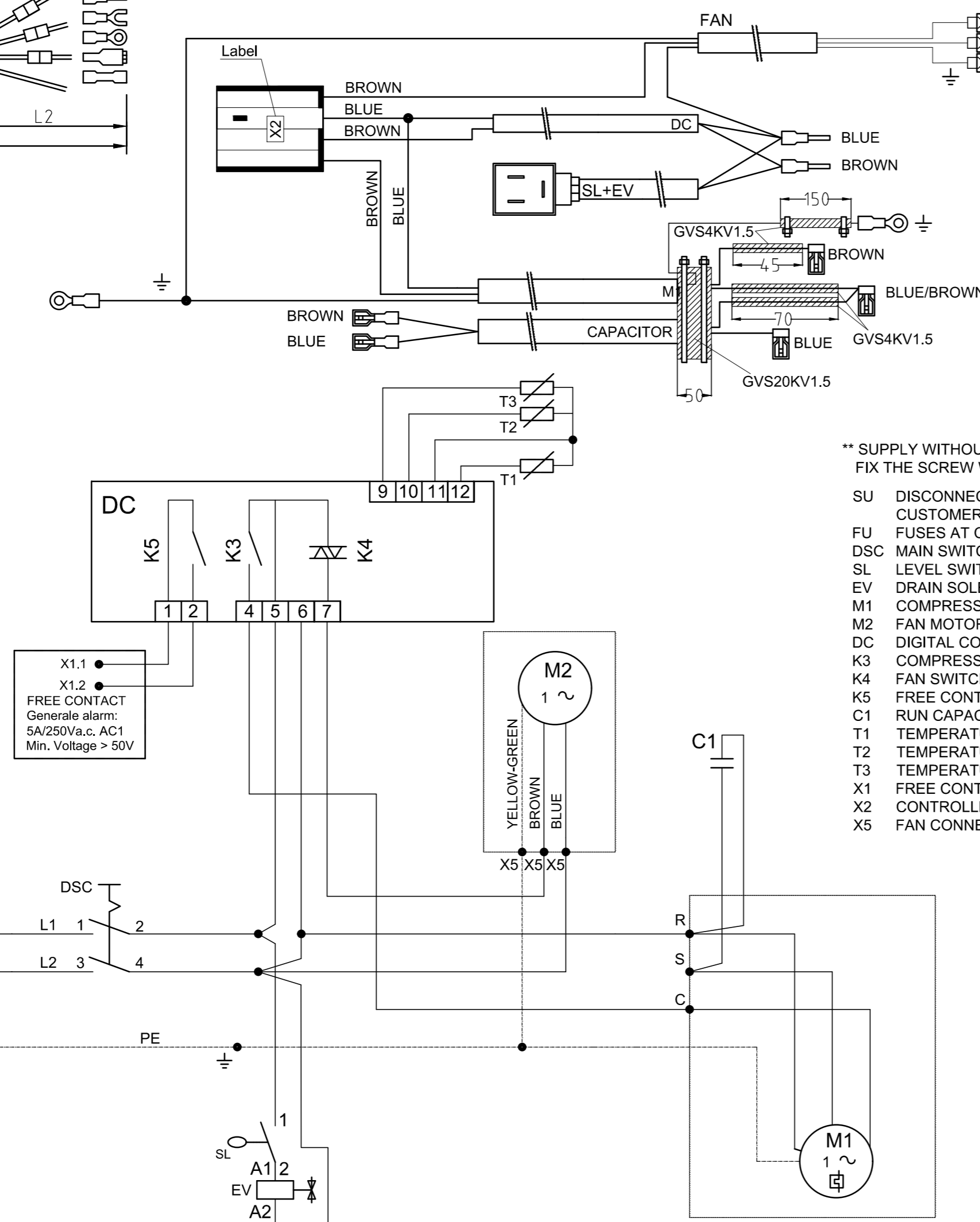
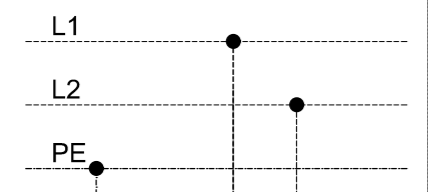


CABLE FOR	LENGTH mm	CABLE TYPE	SIDE A		SIDE B		NOTES	ID	DESCRIPTION	TYPE	MANUFACTURER	CODE	QUANT.	POSITION
			L1 mm	TERMINAL TYPE	L2 mm	TERMINAL TYPE								
MAIN SUPPLY PML	4000	3G1 FROR 450/750	80	3xPKE108	80 - 150GND	2xRF-P10 + S1,5-M6		DSC	SWITCH	OT25FT3	ABB	1089949849	1	
SOLENOID VALVE SL+EV	850	2x1 FROR 450/750	-	43650/B **	80	1xBF-P10 + GF-P10(BLUE)			HANDLE	OHBS3RH	ABB	1088949850	1	
DIGITAL CONTROLLER DC	450	2x1 FROR 450/750	80	4 x BN-FAR608 + S2.5-M6(GND) + X2	80				CABLE GLAND	M20X1,5 STR		0698514085	1	LOOSE
MOTOR M1	1000	3G1 FROR 450/750	180		100BLUE - 65BROWN 300GND	3x41802 + S1.5M4(GND)		X2	CONNECTOR	63N040	CS	1088003857	1	
CAPACITOR	450	2x1 FROR 450/750	50	2xRF-F608P	100BROWN - 50BLUE			X4	HOUSING			0993421506	5	3xLOOSE
FAN	1000	3G1 FROR 450/750	180	-	70	3xRF-F608P + X5		X5	CONNECTOR	PA21		2203080501	3	
FREE CONTACT FC	300	2x1 FROR 450/750	80	2 x BN-FA608 + 2 x X4	80	2 x 221-412			INSULATION	GVS 30KV1.5	ELEKTROZUBEHOR		94x160	LOOSE
									SERVICE DIAGR.			2205020560	1	

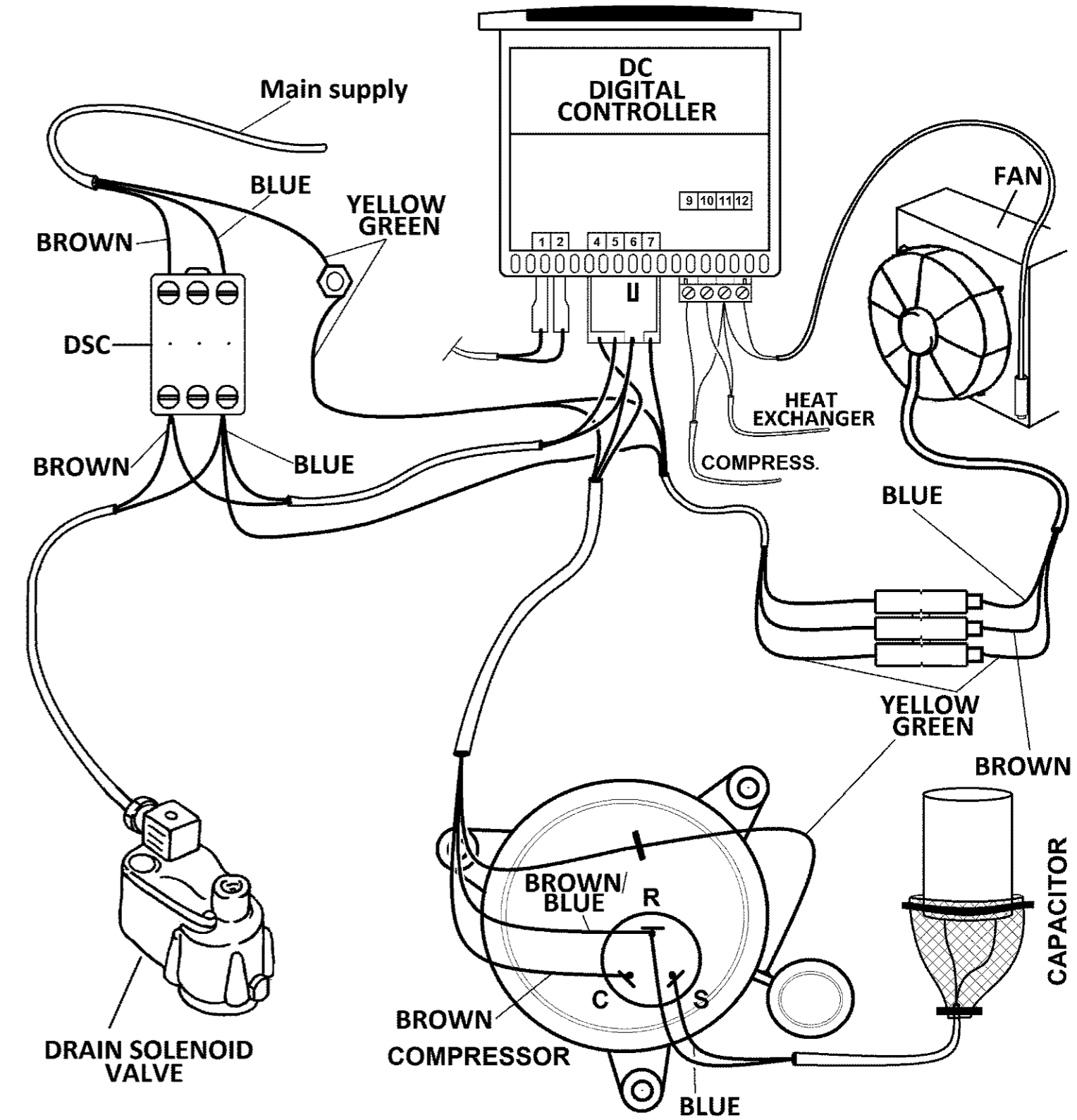
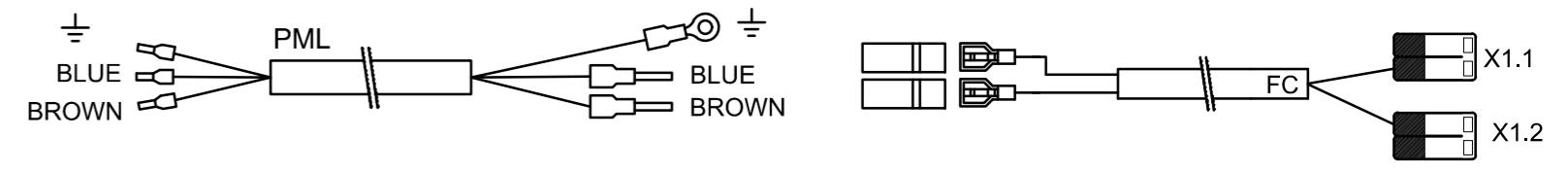


COMPULSORY INSTALLATION AT CUSTOMER CARE. FUSES (FU) + DISCONNECTOR SWITCH (SU)

Model	gG fuses type
E7 230V/50Hz	10A
E7 220V/60Hz	10A
E7,5 230V/50Hz	10A
E7,5 220V/60Hz	10A
E8 230V/50Hz	10A
E8 220V/60Hz	10A



- ** SUPPLY WITHOUT GASKET FIX THE SCREW WITH ADHESIVE TAPE
- SU DISCONNECTOR SWITCH AT CUSTOMER CAR INSTALL.
- FU FUSES AT CUSTOMER CAR INSTALL.
- DSC MAIN SWITCH
- SL LEVEL SWITCH
- EV DRAIN SOLENOID VALVE
- M1 COMPRESSOR MOTOR
- M2 FAN MOTOR
- DC DIGITAL CONTROLLER
- K3 COMPRESSOR SWITCH
- K4 FAN SWITCH
- K5 FREE CONTACT SWITCH
- C1 RUN CAPACITOR
- T1 TEMPERATURE SENSOR NTC (P1)
- T2 TEMPERATURE SENSOR NTC (P2)
- T3 TEMPERATURE SENSOR PTC (P3)
- X1 FREE CONTACT
- X2 CONTROLLER CONNECTOR
- X5 FAN CONNECTION



All materials supplied are in compliance with the requirements of the List of Prohibited Substances

Note	Position	Modified from	Date	Intr./Appd.
05		Description update,CID28721, DN 23054171	27-09-2023	F. Melloni

Tolerances, if not indicated, according to:		General tolerances			
		1350K - V			
Name SERVICE DIAGRAM			SIZE 7-7.5-8 230V CE		
Material See Drawing			Confidentiality class acc. to 1102 K		
Treatment Not Applicable			Internal		
			ACDE		
Scale --		Family		Compare	
Drawn by		Blank nr.		Replaces	
Drawing format A2		Blank wt. Kg		Fini wt. Kg	
STATUS		Prod checked.		Approved.	
Approved Internal		Date 28/10/2016 15:24		Designation Sheet () 01 01	
Parent 3D Model		Ed. Version 3D		2205020560	

CONFIDENTIAL: This document is property of Atlas Copco AB and shall not be distributed or used for manufacturing or communication to any other person or company.