

HEATELESS DESICCANT AIR DRYER ELECTRICAL SCHEMATICS

WIRING METHODS
 POWER 460V = BLACK THHN
 120VAC = RED 16AWG
 NEUTRAL = WHITE 16AWG
 24VDC = BLUE 18AWG
 24V COMMON = WHITE/BLUE 18AWG
 GROUND = GREEN

SCHEMATIC TYPICAL INDEX
 POWER DISTRIBUTION/BRANCH CIRCUITS
 PLC BASE UNIT INPUT/OUTPUTS
 PLC OUTPUT CARD
 PLC THERMOCOUPLE CARD
 TERMINAL LAYOUTS
 ENCLOSURE

Test Wire Size Installed In Connector AWG or MCM (mm ²)		Tightening Torque, Pound-Inches (N.m)			
		Slotted Head No. 10 and Larger ¹		Hexagonal Head - External Drive Socket Wrench	
		Slot Width - 0.047 Inch (1.2 mm) or Less and Slot Length 1/4 Inch (6.4 mm) or Less	Slot Width - Over 0.047 Inch (1.2 mm) or Slot Length - Over 1/4 Inch (6.4 mm)	Split-Bolt Connectors	Other Connectors
18-10	(.082-5.3)	20 (2.3)	35 (4.0)	80 (9.0)	75 (8.5)
8	(8.4)	25 (2.8)	40 (4.5)	80 (9.0)	75 (8.5)
6-4	(13.3-21.2)	35 (4.0)	45 (5.1)	165 (18.6)	110 (12.4)
3	(26.7)	35 (4.0)	50 (5.6)	275 (31.1)	150 (16.9)
2	(33.6)	40 (4.5)	50 (5.6)	275 (31.1)	150 (16.9)
1	(42.4)	-	50 (5.6)	275 (31.1)	150 (16.9)
1/0-2/0	(53.5-67.4)	-	50 (5.6)	385 (43.5)	180 (20.3)
3/0-4/0	(85.0-107.2)	-	50 (5.6)	500 (56.5)	250 (28.2)
250-350	(127-177)	-	50 (5.6)	650 (73.4)	325 (36.7)
400	(203)	-	50 (5.6)	825 (93.2)	325 (36.7)
500	(253)	-	50 (5.6)	825 (93.2)	375 (42.4)
600-750	(304-380)	-	50 (5.6)	1000 (113.0)	375 (42.4)
800-1000	(406-508)	-	50 (5.6)	1000 (124.3)	500 (56.5)
1250-2000	(635-1010)	-	-	1100 (124.3)	600 (67.8)

TABLE 7.4:
¹ For values of slot width or length not corresponding to those specified, select the largest torque value associated with the conductor size. Slot width is the nominal design value. Slot length is measured at the bottom of the slot.

MAX VOLTAGE_____115_____

TOTAL MCA_____1.6 AMP_____

LARGEST MOTOR FLA____N/A____

NUMBER OF PHASES_____1_____

FREQUENCY_____60HZ_____

CUSTOMER SERIAL

NO._____

UNDERWRITERS LAB SERIAL

NO.____

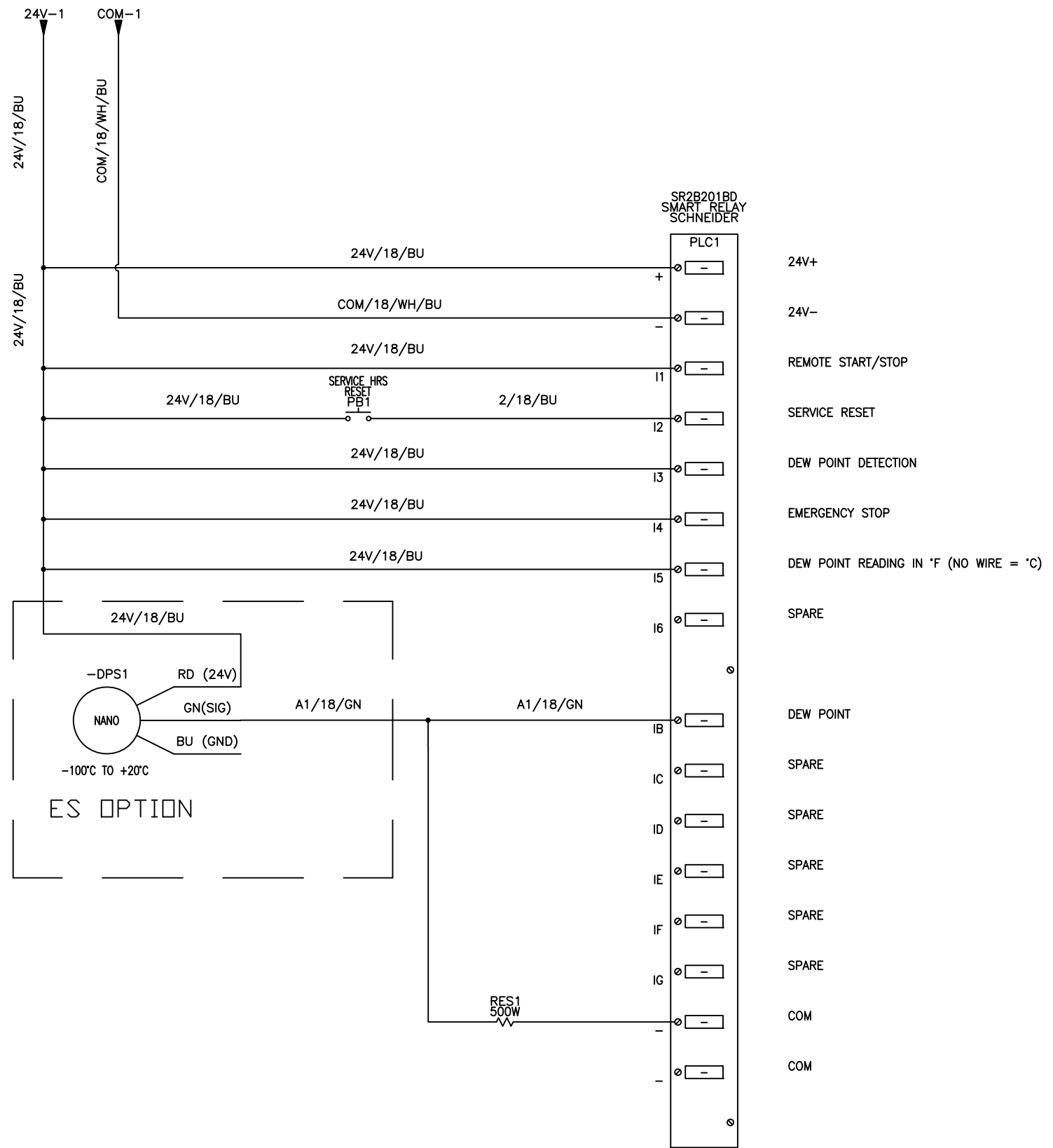
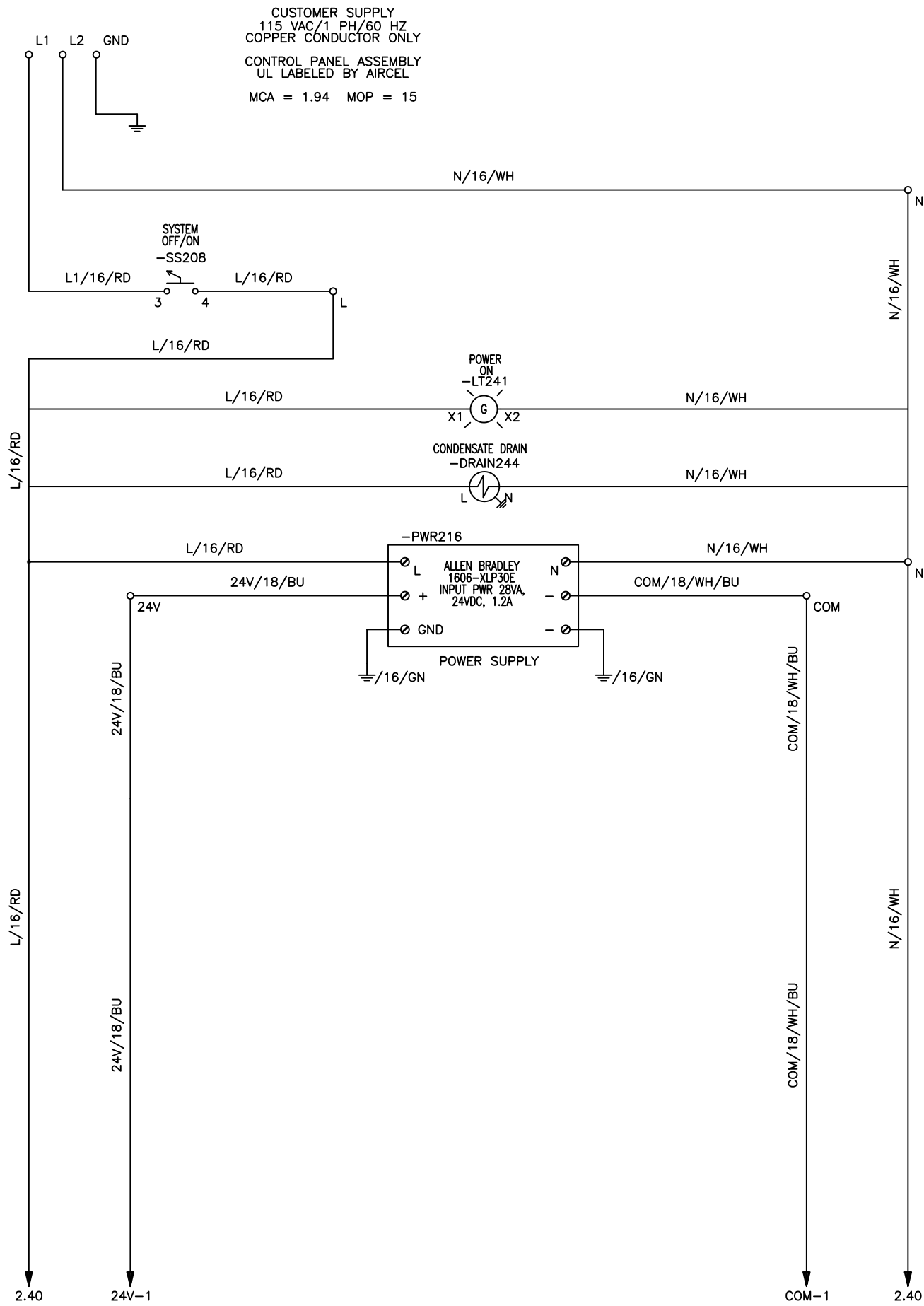


REV	REVISION DESCRIPTION	APPROVAL DATE
△		/
△		/
△		/

THIS DOCUMENT CONTAINS
 INFORMATION THAT IS CONFIDENTIAL
 AND/OR PROPRIETARY TO AIRCEL
 CORP. ALL RIGHTS TO DISCLOSE, COPY
 REPRODUCE, MANUFACTURE FROM OR
 DISPOSE OF THIS DOCUMENT OR ITS
 CONTENTS ARE RESERVED UNLESS
 SPECIFIED IN WRITING BY AIRCEL



PROJECT:	HEATLESS	DRAWN BY:	TRAVIS.RYAN	DATE:	01/24/2024
TITLE DESCRIPTION		CHK'D BY:		DATE:	
PAGE DESCRIPTION	ELECTRICAL SCHEMATICS	JOB NO.		DRAWING NUMBER:	AG3956010-1 OF 6
PAGE DESCRIPTION	TORQUE TABLE				

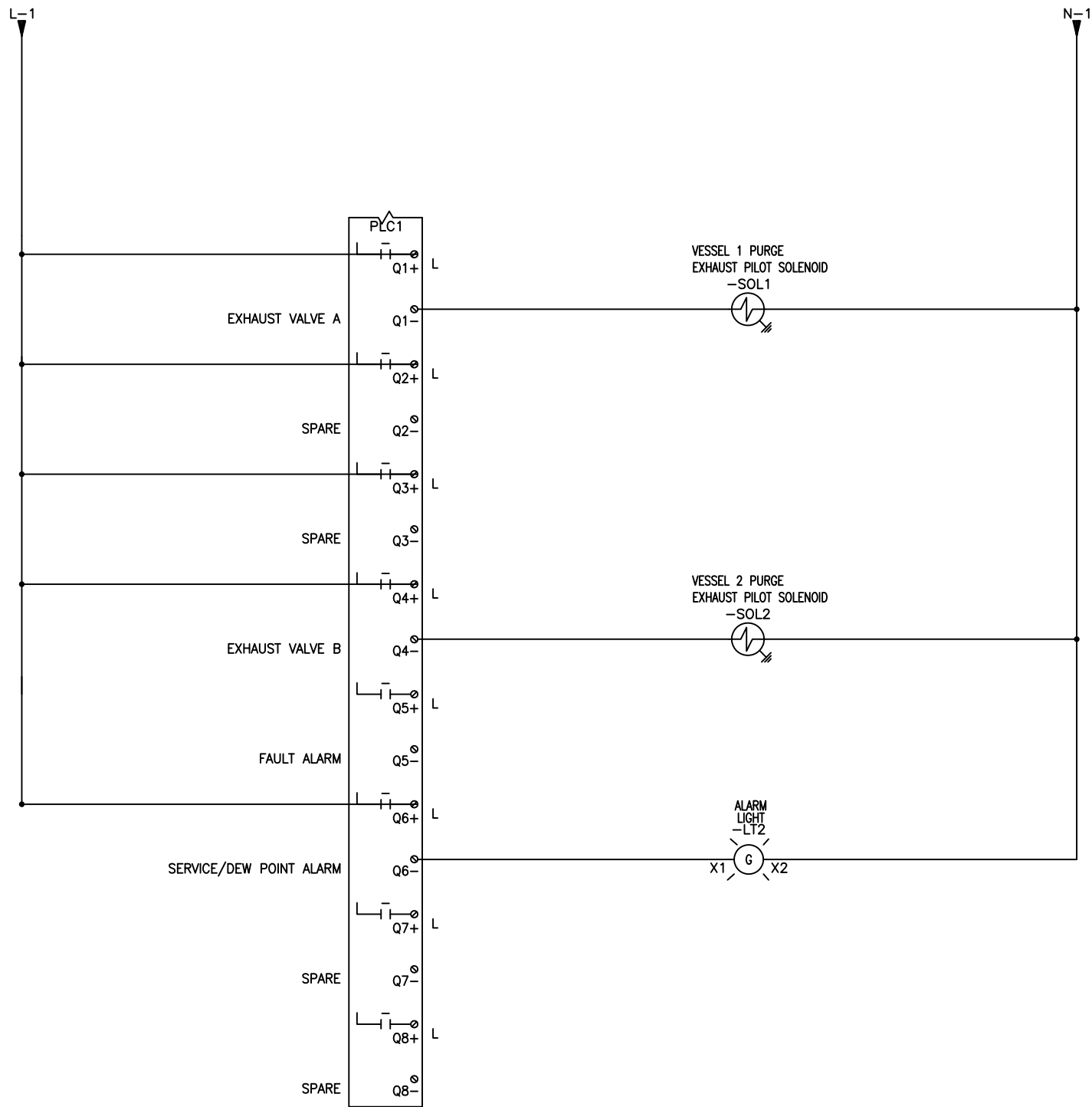


REV	REVISION DESCRIPTION	APPROVAL DATE
△		/
△		/
△		/

THIS DOCUMENT CONTAINS
INFORMATION THAT IS CONFIDENTIAL
AND/OR PROPRIETARY TO AIRCEL
CORP. ALL RIGHTS TO DISCLOSE, COPY
REPRODUCE, MANUFACTURE FROM OR
DISPOSE OF THIS DOCUMENT OR ITS
CONTENTS ARE RESERVED UNLESS
SPECIFIED IN WRITING BY AIRCEL



PROJECT: HEATLESS	DRAWN BY: TRAVIS.RYAN	DATE: 01/24/2024
TITLE DESCRIPTION	CHK'D BY:	DATE:
PAGE DESCRIPTION ELECTRICAL SCHEMATICS	JOB NO.	DRAWING NUMBER: AG3956010-2 OF 6
PAGE DESCRIPTION PWR DIST/PLC INPUTS		



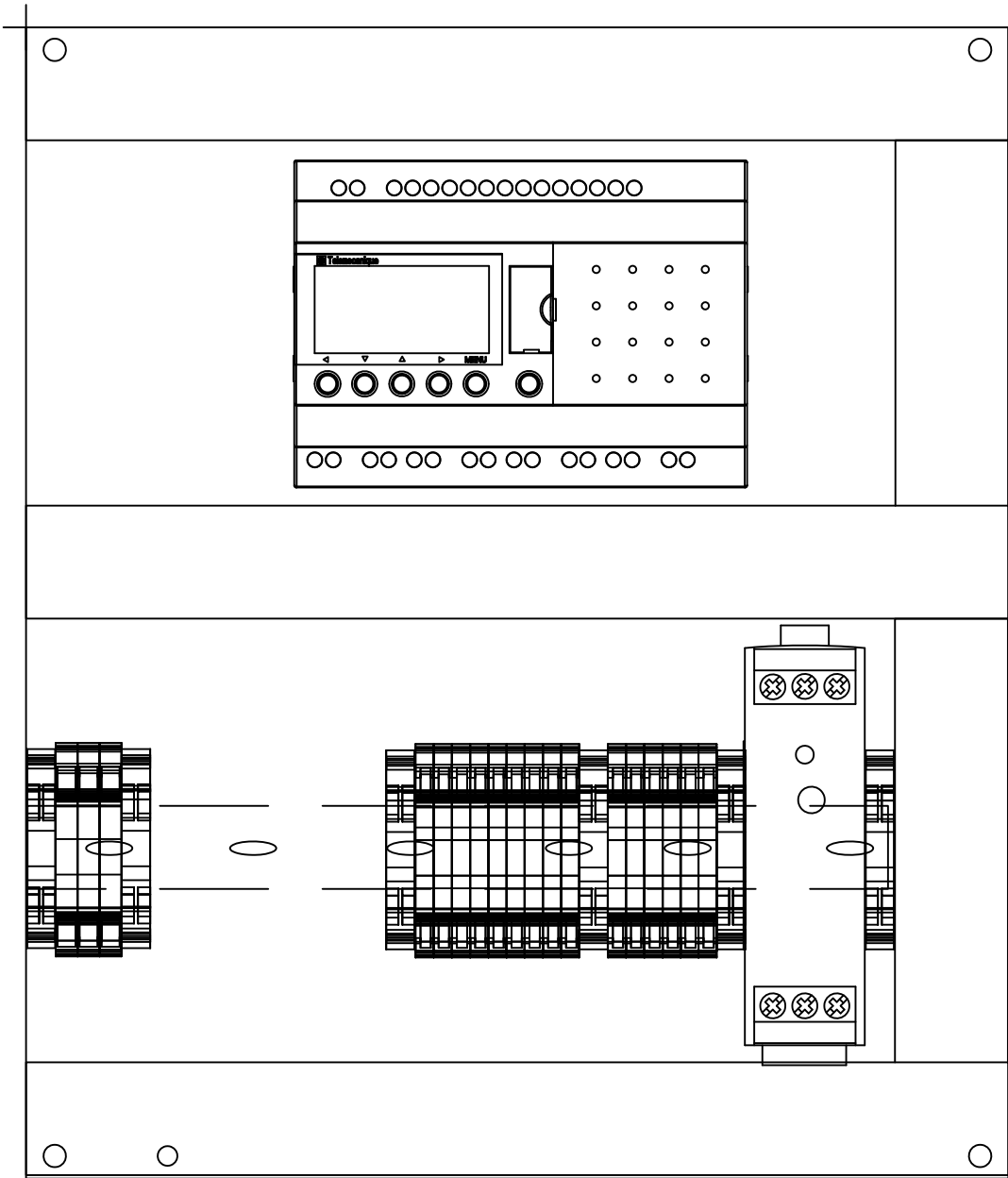
REV	REVISION DESCRIPTION	APPROVAL DATE
△		/
△		/
△		/

THIS DOCUMENT CONTAINS INFORMATION THAT IS CONFIDENTIAL AND/OR PROPRIETARY TO AIRCEL CORP. ALL RIGHTS TO DISCLOSE, COPY, REPRODUCE, MANUFACTURE FROM OR DISPOSE OF THIS DOCUMENT OR ITS CONTENTS ARE RESERVED UNLESS SPECIFIED IN WRITING BY AIRCEL.



PROJECT:	HEATLESS	DRAWN BY:	TRAVIS.RYAN	DATE:	01/24/2024
TITLE DESCRIPTION		CHK'D BY:		DATE:	
PAGE DESCRIPTION	ELECTRICAL SCHEMATICS	JOB NO.		DRAWING NUMBER:	AG3956010-3 OF 6
PAGE DESCRIPTION	PLC OUTPUTS				

Description for BOM	Item Number/Stock Number	Quantity per Dryer
CONTROLLER, ZELIO SMART RELAY	32192	1
POWER SUPPLY, 24 VDC, 15 WATTS	AG3948924	1
TERMINAL BLOCK, GRAY, J4	AG3253101	2
TERMINAL BLOCK GREEN/YELLOW, JG4	AG3253001	1
TERMINAL BLOCK GRAY, J3	AG3933345	13
TERMINAL BLOCK GREEN/YELLOW, JG3	AG3933346	2
END ANCHOR	AG3251901	4
BACK PLATE, FITS A14128PHC	AG3197201	1
PUSHBUTTON, SWITCH, MOMENTARY	AG3956013	1



END ANCHOR
L1 - J4
L2 - J4
GND - J4
END ANCHOR

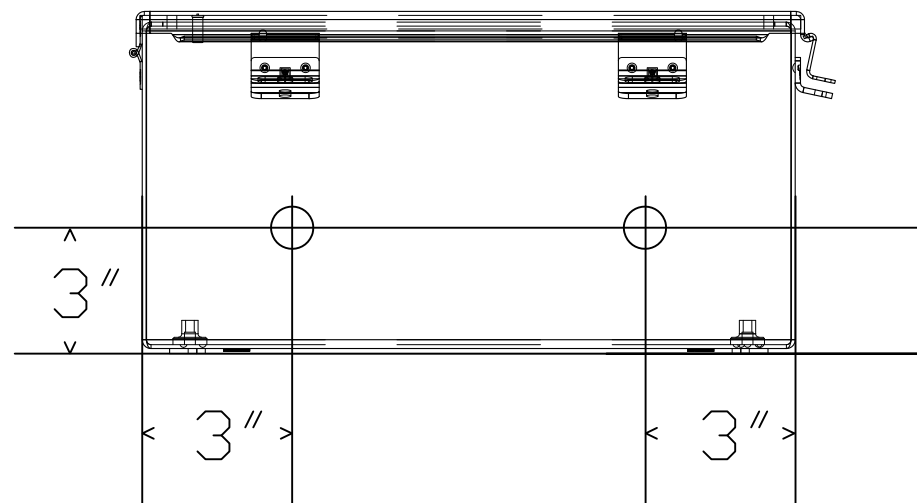
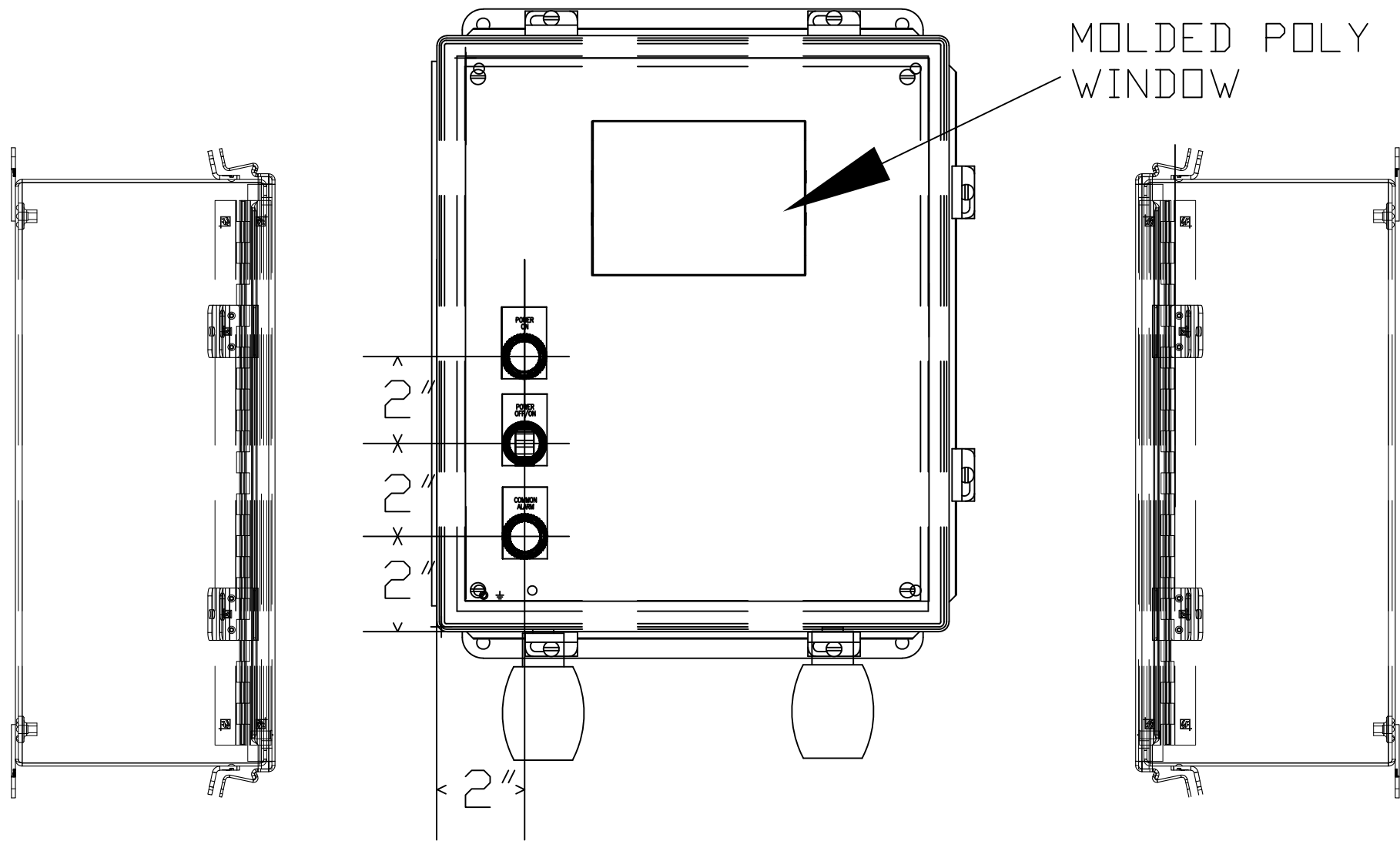
END ANCHOR
N
N
N
L
L
L
11
14
16
END ANCHOR
24V
24V
COM
COM
GND
GND
END ANCHOR
PWR SPPLY
END ANCHOR

REV	REVISION DESCRIPTION	APPROVAL DATE
△		/
△		/
△		/

THIS DOCUMENT CONTAINS INFORMATION THAT IS CONFIDENTIAL AND/OR PROPRIETARY TO AIRCEL CORP. ALL RIGHTS TO DISCLOSE, COPY, REPRODUCE, MANUFACTURE FROM OR DISPOSE OF THIS DOCUMENT OR ITS CONTENTS ARE RESERVED UNLESS SPECIFIED IN WRITING BY AIRCEL.



PROJECT: HEATLESS	DRAWN BY: TRAVIS.RYAN	DATE: 01/24/2024
TITLE DESCRIPTION	CHK'D BY:	DATE:
PAGE DESCRIPTION ELECTRICAL SCHEMATICS	JOB NO.	DRAWING NUMBER: AG3956010-4 OF 6
PAGE DESCRIPTION PANEL LAYOUT		



Description for BOM	Item Number/Stock Number	Quantity per Dryer
ENCLOSURE, 14X12 W/WINDOW	AG3956012	1
SOLENOID, 3-WAY	AG3101501	2
HUB, MYERS	AG3288701	2
NIPPLE, CONDUIT, 1/2"x CLOSE	AG3342801	2
SWITCH, 2-POSITION	AG3956014	1
LIGHT, LED, GREEN, PILOT	AG3956015	1
LIGHT, LED, RED, PILOT	AG3956016	1

REV	REVISION DESCRIPTION	APPROVAL DATE
△		/
△		/
△		/

THIS DOCUMENT CONTAINS INFORMATION THAT IS CONFIDENTIAL AND/OR PROPRIETARY TO AIRCEL CORP. ALL RIGHTS TO DISCLOSE, COPY, REPRODUCE, MANUFACTURE FROM OR DISPOSE OF THIS DOCUMENT OR ITS CONTENTS ARE RESERVED UNLESS SPECIFIED IN WRITING BY AIRCEL.



PROJECT: HEATLESS	DRAWN BY: TRAVIS.RYAN	DATE: 01/24/2024
TITLE DESCRIPTION	CHK'D BY:	DATE:
PAGE DESCRIPTION ELECTRICAL SCHEMATICS	JOB NO.	DRAWING NUMBER: AG3956010-5 OF 6
PAGE DESCRIPTION DOOR LAYOUT		

Description for BOM	Item Number/Stock Number	Quantity per Dryer
ENCLOSURE, NO-WINDOW	AG3956012	1
CONTROLLER, ZELIO SMART RELAY	32192	1
POWER SUPPLY, 24 VDC, 15 WATTS	AG3948924	1
TERMINAL BLOCK, GRAY, J4	AG3253101	2
TERMINAL BLOCK GREEN/YELLOW, JG4	AG3253001	1
TERMINAL BLOCK GRAY, J3	AG3933345	13
TERMINAL BLOCK GREEN/YELLOW, JG3	AG3933346	2
SOLENOID, 3-WAY	AG3101501	2
HUB, MYERS	AG3288701	2
NIPPLE, CONDUIT, 1/2"x CLOSE	AG3342801	2
SWITCH, 2-POSITION	AG3956014	1
PUSHBUTTON, SWITCH, MOMENTARY	AG3956013	1
LIGHT, LED, GREEN, PILOT	AG3956015	1
LIGHT, LED, RED, PILOT	AG3956016	1
END ANCHOR	AG3251901	4
BACK PLATE, FITS A14128PHC	AG3197201	1
WIRE #18, BLUE	AG3480463	20
WIRE #18, RED	AG3480947	15
WIRE #18, WHITE	AG3480948	10
WIRE #18, WHITE/BLUE	AG3480991	15
WIRE #16, ORANGE	AG3373901	6
WIRE #16, GREEN	AG3372301	12

REV	REVISION DESCRIPTION	APPROVAL DATE
△		/
△		/
△		/

THIS DOCUMENT CONTAINS INFORMATION THAT IS CONFIDENTIAL AND/OR PROPRIETARY TO AIRCEL CORP. ALL RIGHTS TO DISCLOSE, COPY, REPRODUCE, MANUFACTURE FROM OR DISPOSE OF THIS DOCUMENT OR ITS CONTENTS ARE RESERVED UNLESS SPECIFIED IN WRITING BY AIRCEL



PROJECT: HEATLESS	DRAWN BY: TRAVIS.RYAN	DATE: 01/24/2024
TITLE DESCRIPTION	CHK'D BY:	DATE:
PAGE DESCRIPTION ELECTRICAL SCHEMATICS	JOB NO.	DRAWING NUMBER: AG3956010-6 OF 6
PAGE DESCRIPTION EBOM		