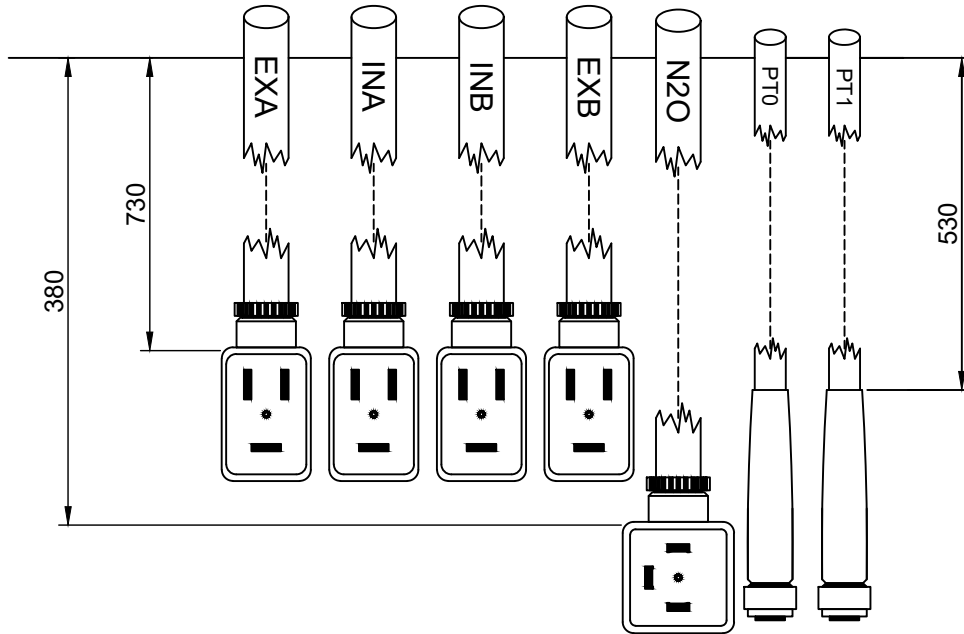
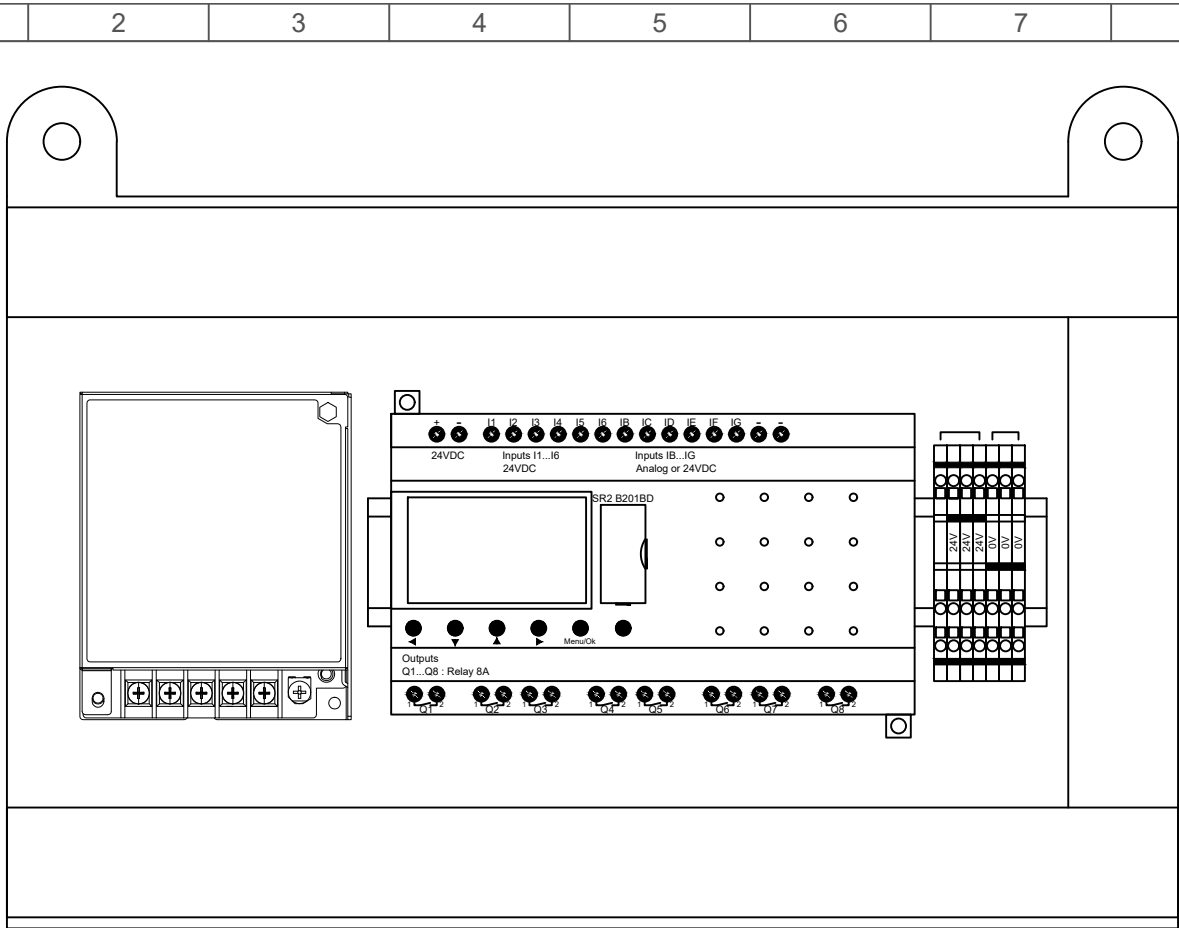


	1	2	3	4	5	6	7	8
A	Part Reference	Manufacturer Number	Description					
	1	SR2 B201BD	compact smart relay Zelio Logic - 20 I O - 24 V DC - clock - display					
B	2	ABLS1A24031	Regulated Power Supply, 100-240V AC, 24V 3.1 A, single phase					
	3	XMLP016BD71F	Electronic pressure sensors, 16 bar, G1/4 A male, 0...10 V, M12, set of 1					
	4	2001-1301	3-conductor through terminal block; 1.5 mm ² Grey					
C	5	2001-1304	3-conductor through terminal block; 1.5 mm ² Blue					
	6	2001-402	Jumper; 2 way; Insulated					
	7	2001-403	Jumper; 3 way; Insulated					
D	8	249-116	Screwless end stop; 6 mm wide; for DIN-rail; gray					
	9	M12 4pin Connecting Cable	Cable for Pressure Transducers					
	10	0000000.9100	IMI Buschjost Click on Solenoid Valve 24DCV					
E	11	M/P24121/1	24DCV Plug Pilot, Inlet and Exhaust Solonoid Valves					
	12	M/P24120/1	24DCV Plug N2 Outlet and N2 Vent Solonoid Valves					
	13	400127-142	Solenoid Valve Coil 24DCV					
F	14	206-867	8mm Green LED prominent, 24VDC					
	15	206-845	8mm Red LED prominent, 24VDC					
	16							
	17							
G	18							
	19							
	20							
H	21							
	22							
	23							
I	24							
	25							
	26							
J	27							
	<u>Optional Extras</u>							
	28							
	29							
K	30							
	31							
	32							
L	33							

NOTES		REVISION HISTORY				nano-purification solutions limited www.n-psi.co.uk		
		REV	DESCRIPTION	DATE	APPROVED	<small>©NANO-PURIFICATION SOLUTIONS LTD 2022 THE ORIGINAL COPY OF THIS DRAWING IS COPYRIGHT AND CONTAINS CONFIDENTIAL INFORMATION. IT IS THE PROPERTY OF NANO PURIFICATION SOLUTIONS LTD. WITHOUT WHOSE PERMISSION IT MAY NOT BE COPIED, SHOWN OR HANDED TO A THIRD PARTY OR OTHERWISE USED AND IT IS NOT TO BE RETURNED PROMPTLY UPON REQUEST TO NANO PURIFICATIONS SOLUTIONS LTD.</small>		
		C-00	Initial Release	15/08/23	ME			
		C-01	Cable lengths modified	23/01/24	ME			
						TITLE: GEN2 Mini Standard - Parts List		
			DRAWN	CHECKED	APPROVED	DWG NO	REVISION: C-01	
		NAME	R.WHITHAM	IC	ME	99-250-0254	SHEET	SHEET SIZE
		DATE	12/10/2022	15/08/23	15/08/23		1 OF 4	A4



NOTES

REVISION HISTORY

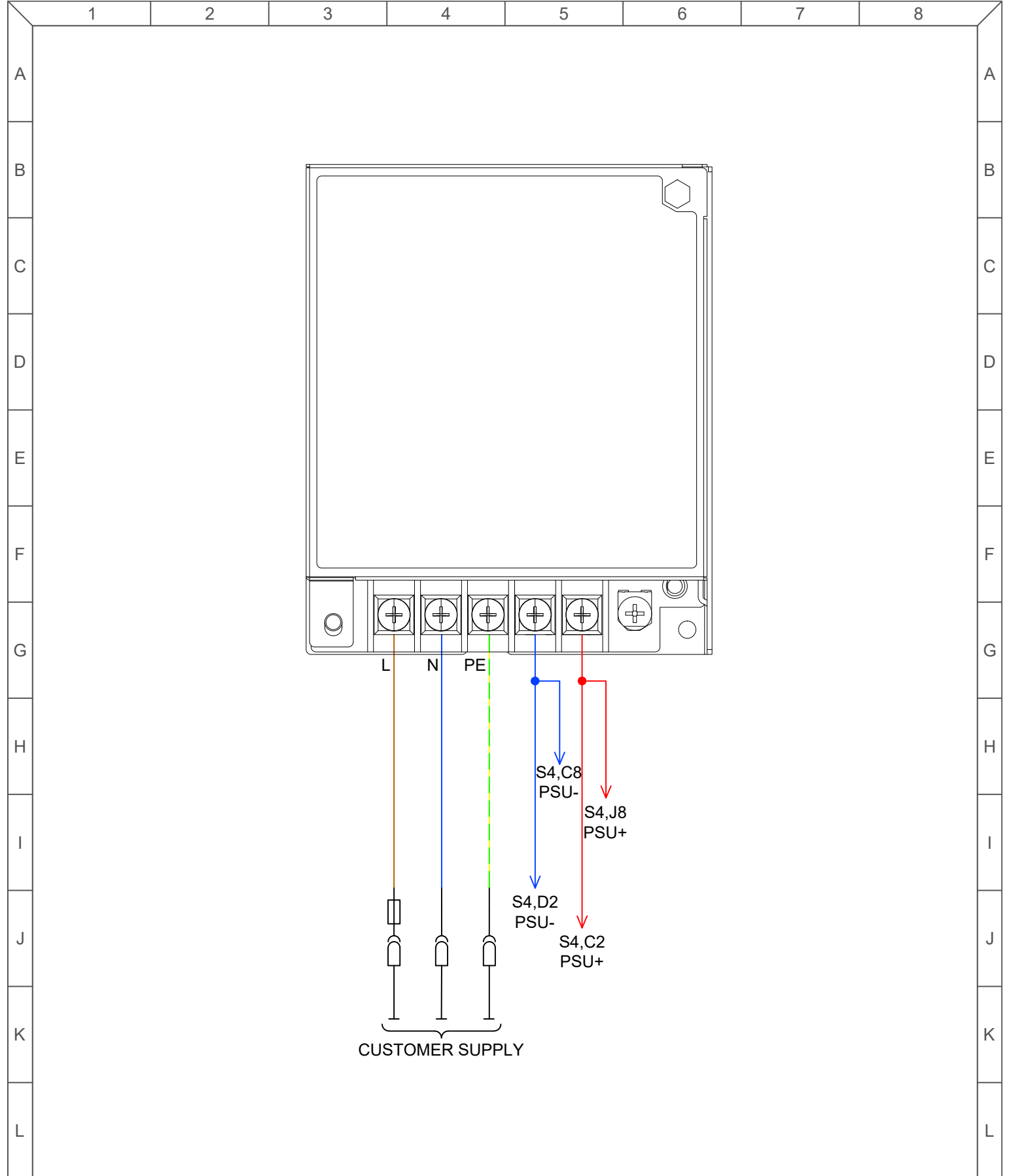
nano-purification solutions limited
www.n-psi.co.uk

REV	DESCRIPTION	DATE	APPROVED
C-00	Initial Release	15/08/23	ME
C-01	Cable lengths modified	23/01/24	ME
NAME	DRAWN	CHECKED	APPROVED
	RW	IC	ME
DATE	15/08/23	15/08/23	15/08/23

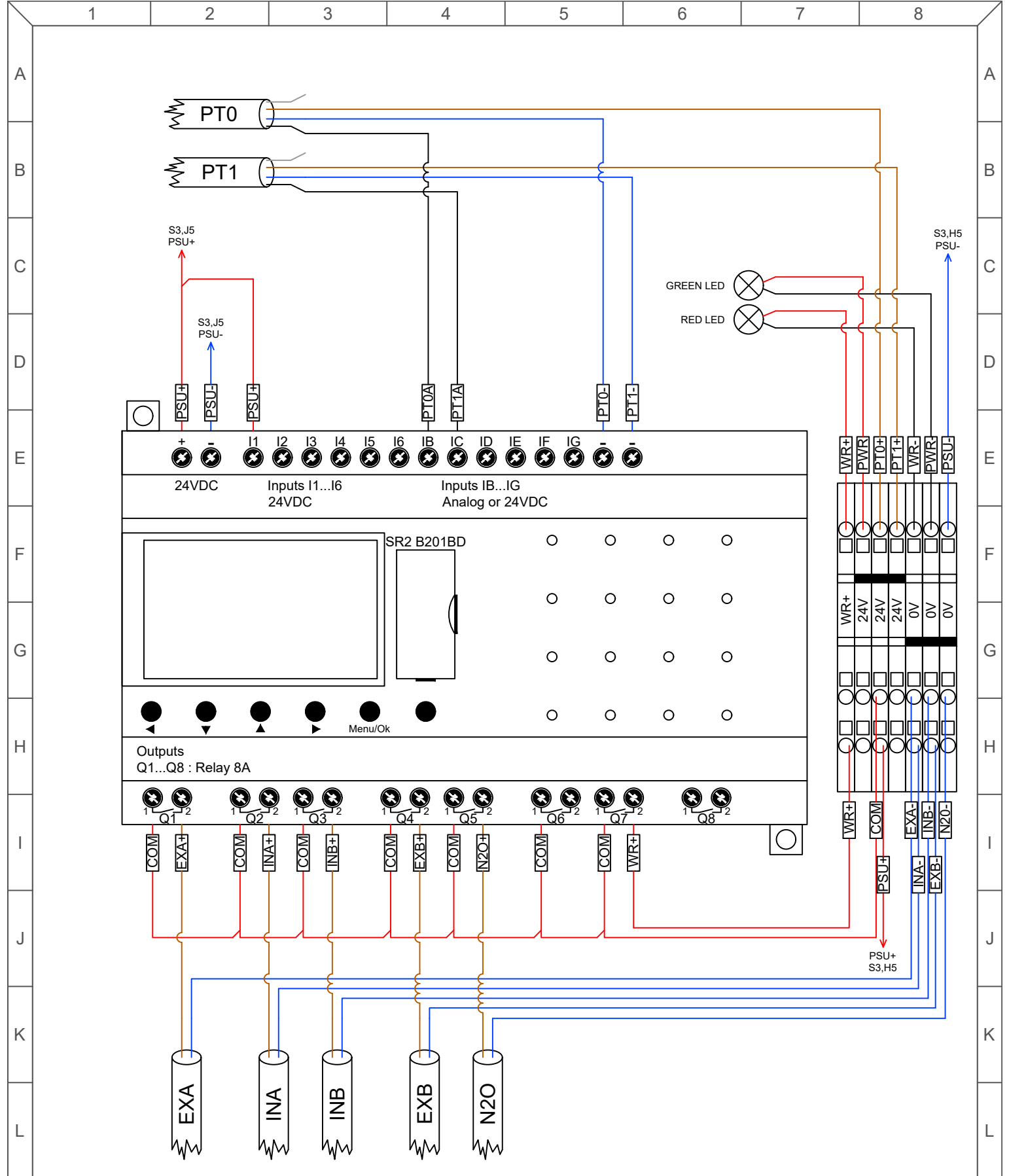
©NANO-PURIFICATION SOLUTIONS LTD 2022.
THE ORIGINAL COPY OF THIS DRAWING IS COPYRIGHT AND CONTAINS CONFIDENTIAL INFORMATION. IT IS THE PROPERTY OF NANO-PURIFICATION SOLUTIONS LTD. WITHOUT WHOSE PERMISSION IT MAY NOT BE COPIED, SHOWN OR HANDED TO A THIRD PARTY OR OTHERWISE USED AND IT IS NOT TO BE RETURNED PROMPTLY UPON REQUEST TO NANO-PURIFICATION SOLUTIONS LTD.

TITLE:
GEN2 Mini Standard - Main Layout

DWG NO	REVISION:	C-01
98-100-0254	SHEET	2 OF 4
	SHEET SIZE	A4



NOTES	REVISION HISTORY				nano-purification solutions limited www.n-psi.co.uk		
	REV	DESCRIPTION	DATE	APPROVED			
	C-00	Initial Release	15/08/23	ME	<small>©NANO-PURIFICATION SOLUTIONS LTD 2022. THE ORIGINAL COPY OF THIS DRAWING IS COPYRIGHT AND CONTAINS CONFIDENTIAL INFORMATION. IT IS THE PROPERTY OF NANO-PURIFICATION SOLUTIONS LTD. WITHOUT WHOSE PERMISSION IT MAY NOT BE COPIED, SHOWN OR HANDED TO A THIRD PARTY OR OTHERWISE USED AND IT IS NOT TO BE RETURNED PROMPTLY UPON REQUEST TO NANO-PURIFICATION SOLUTIONS LTD.</small>		
	C-01	Cable lengths modified	23/01/24	ME			
					TITLE: GEN2 Mini Standard - Power Supply		
		DRAWN	CHECKED	APPROVED	DWG NO	REVISION:	C-01
	NAME	RW	IC	ME	98-100-0254	SHEET	SHEET SIZE
	DATE	15/08/23	15/08/23	15/08/23		3 OF 4	A4



NOTES

REVISION HISTORY

nano-purification solutions limited
www.n-psi.co.uk

REV	DESCRIPTION	DATE	APPROVED
C-00	Initial Release	15/08/23	ME
C-01	Cable lengths modified	23/01/24	ME
DRAWN		CHECKED	APPROVED
NAME	RW	IC	ME
DATE	15/08/23	15/08/23	15/08/23

©NANO-PURIFICATION SOLUTIONS LTD 2022.
THE ORIGINAL COPY OF THIS DRAWING IS COPYRIGHT AND CONTAINS CONFIDENTIAL INFORMATION. IT IS THE PROPERTY OF NANO-PURIFICATION SOLUTIONS LTD. WITHOUT WHOSE PERMISSION IT MAY NOT BE COPIED, SHOWN OR HANDED TO A THIRD PARTY OR OTHERWISE USED AND IT IS NOT TO BE RETURNED PROMPTLY UPON REQUEST TO NANO-PURIFICATION SOLUTIONS LTD.

TITLE:
GEN2 Mini Standard - Signals

DWG NO	REVISION:	C-01
98-100-0254	SHEET	4 OF 4
	SHEET SIZE	A4