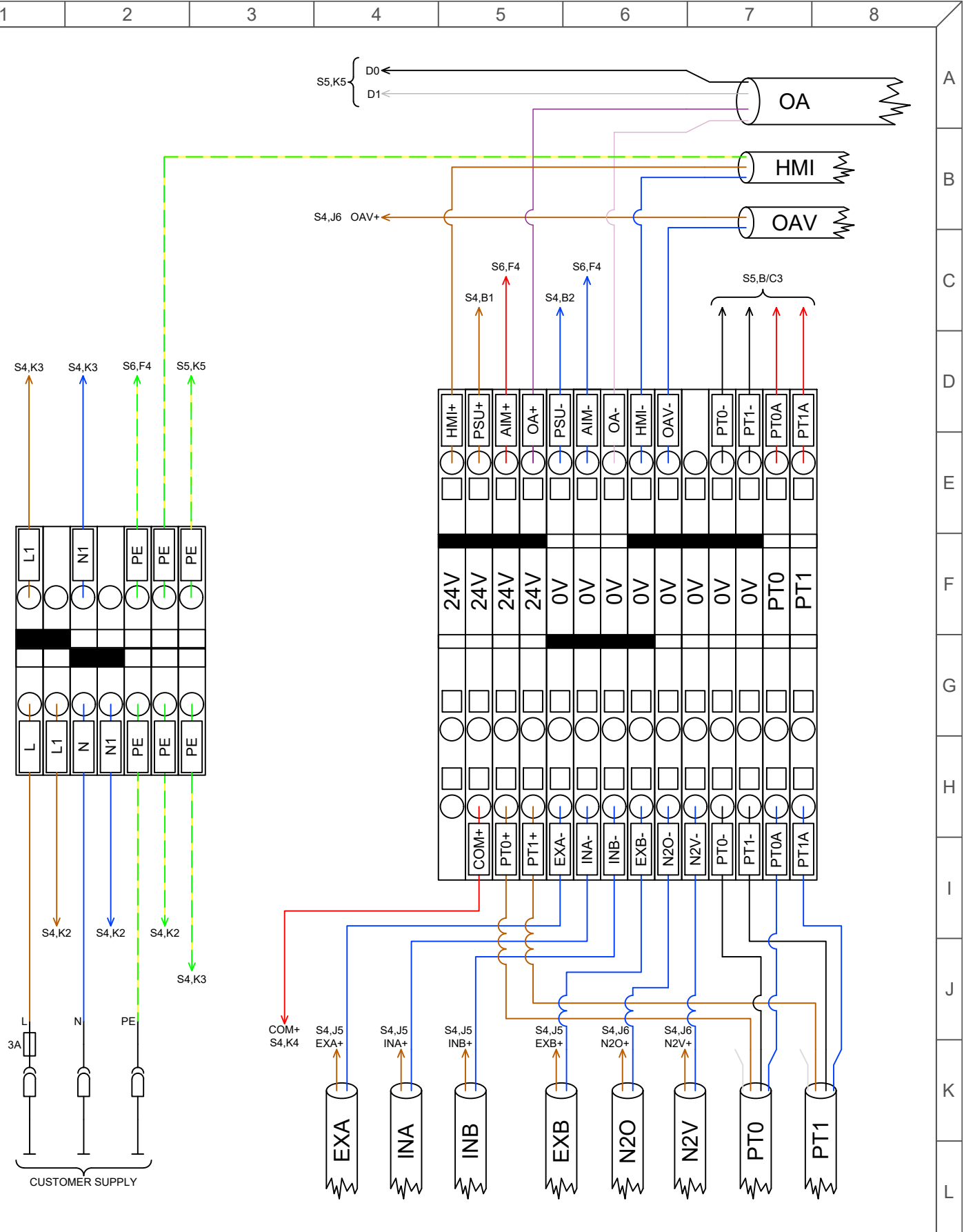


	1	2	3	4	5	6	7	8	
A	<b>Part Reference</b>	<b>Manufacturer Number</b>	<b>Description</b>						A
	1	TM221C24R	Logic Controller, Modicon M221 24 IO relay						
B	2	ABLS1A24031	Regulated Power Supply, 100-240V AC, 24V 3.1 A, single phase						B
	3	TMC2SL1	Serial line cartridge, Modicon M221, 1 communication extension						
	4	HMIST6200	Harmony ST6, 4"W Display, 1 COM, 1 Ethernet, USB, 24VDC						
C	5	XMLP016BD71F	Electronic pressure sensors, 16 bar, G1/4 A male, 0...10 V, M12, set of 1						C
	6	2002-1201	2-conductor through terminal block; 2.5 mm <sup>2</sup> Grey						
	7	2002-1204	2-conductor through terminal block; 2.5 mm <sup>2</sup> Blue						
	8	2002-1207	2-conductor through terminal block; 2.5 mm <sup>2</sup> Green-Yellow						
D	9	2002-1291	Intermediate plate for 2002 Terminals - Grey						D
	10	2002-402	Jumper; 2 way; Insulated						
	11	2001-1301	3-conductor through terminal block; 1.5 mm <sup>2</sup> Grey						
E	12	2001-1304	3-conductor through terminal block; 1.5 mm <sup>2</sup> Blue						E
	13	2001-1392	Intermediate plate for 2001 Terminals - Orange						
	14	2001-404	Jumper; 4 way; Insulated						
F	15	2001-405	Jumper; 5 way; Insulated						F
	16	249-116	Screwless end stop; 6 mm wide; for DIN-rail; gray						
	17	M12 4pin Connecting Cable	Cable for Pressure Transducers						
G	18	0000000.9100	IMI Buschjost Click on Solenoid Valve 24DCV						G
	19	M/P24121/1	24DCV Plug Pilot, Inlet and Exhaust Solonoid Valves						
	20	M/P24120/1	24DCV Plug N2 Outlet and N2 Vent Solonoid Valves						
H	21	400127-142	Solenoid Valve Coil 24DCV						H
	22								
	23								
	24								
I	25								I
	26								
	27								
J	<b>Optional Extras</b>								J
	28	TM3AI4H	Analog input module, Modicon TM3, 4 inputs (screw) 24VDC						
	29	Senz-Tx	Oxygen Analyser						
K	30	Easidew/SF-52	Dewpoint Sensors (-100-20°C)Easidew (-60-40°C)SF-52						K
	31	M12 4pin Connecting Cable	Cable for Oxygen Analyser						
	32	SCG256B002VMS	Oxygen Analyser Valve						
L	33								L

NOTES		REVISION HISTORY				nano-purification solutions limited www.n-psi.co.uk		
		REV	DESCRIPTION	DATE	APPROVED	<small>©NANO-PURIFICATION SOLUTIONS LTD 2022 THE ORIGINAL COPY OF THIS DRAWING IS COPYRIGHT AND CONTAINS CONFIDENTIAL INFORMATION. IT IS THE PROPERTY OF NANO PURIFICATION SOLUTIONS LTD. WITHOUT WHOSE PERMISSION IT MAY NOT BE COPIED, SHOWN OR HANDED TO A THIRD PARTY OR OTHERWISE USED AND IT IS NOT TO BE RETURNED PROMPTLY UPON REQUEST TO NANO PURIFICATION SOLUTIONS LTD.</small>		
		C-00	Initial Release	15/08/23	ME			
		C-01	Cable lengths modified	23/01/24	ME			
						TITLE: GEN2 Mini HMI Premium - Parts List		
			DRAWN	CHECKED	APPROVED	DWG NO	REVISION:	C-01
		NAME	RW	IC	ME	98-100-0253	SHEET 1 OF 6	SHEET SIZE A4
		DATE	15/08/23	15/08/23	15/08/23			





**NOTES**

**REVISION HISTORY**

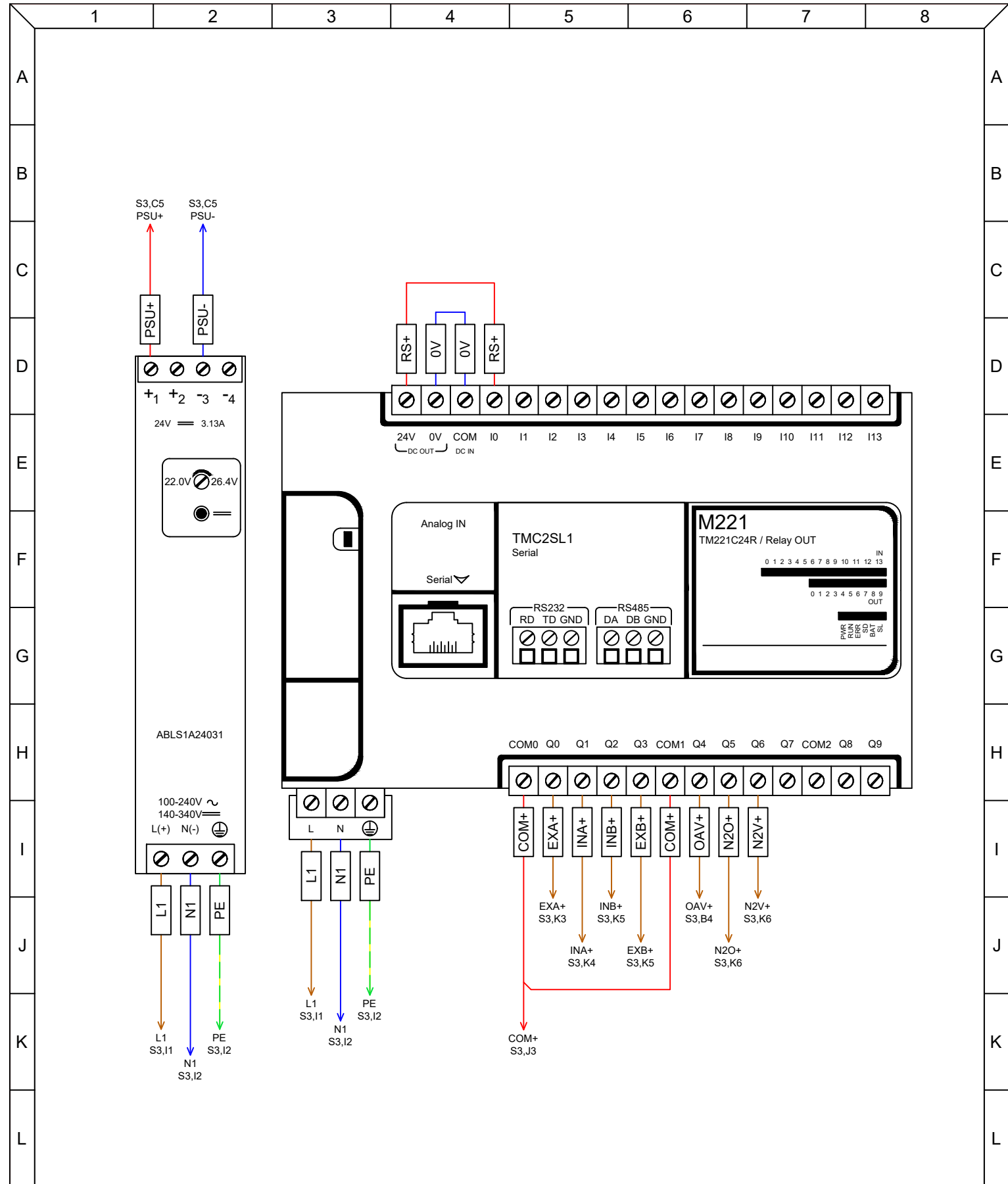
nano-purification solutions limited  
www.n-psi.co.uk

REV	DESCRIPTION	DATE	APPROVED									
C-00	Initial Release	15/08/23	ME									
C-01	Cable lengths modified	23/01/24	ME									
<table border="1"> <thead> <tr> <th>DRAWN</th> <th>CHECKED</th> <th>APPROVED</th> </tr> </thead> <tbody> <tr> <td>RW</td> <td>IC</td> <td>ME</td> </tr> <tr> <td>DATE</td> <td>15/08/23</td> <td>15/08/23</td> </tr> </tbody> </table>				DRAWN	CHECKED	APPROVED	RW	IC	ME	DATE	15/08/23	15/08/23
DRAWN	CHECKED	APPROVED										
RW	IC	ME										
DATE	15/08/23	15/08/23										

©NANO-PURIFICATION SOLUTIONS LTD 2022. THE ORIGINAL COPY OF THIS DRAWING IS COPYRIGHT AND CONTAINS CONFIDENTIAL INFORMATION. IT IS THE PROPERTY OF NANO-PURIFICATION SOLUTIONS LTD. WITHOUT WHOSE PERMISSION IT MAY NOT BE COPIED, SHOWN OR HANDED TO A THIRD PARTY OR OTHERWISE USED AND IT IS NOT TO BE RETURNED PROMPTLY UPON REQUEST TO NANO-PURIFICATION SOLUTIONS LTD.

**TITLE:**  
GEN2 Mini - Terminals

DWG NO	REVISION:	C-01
98-100-0253	SHEET	SHEET SIZE
	3 OF 6	A4



**NOTES**

**REVISION HISTORY**

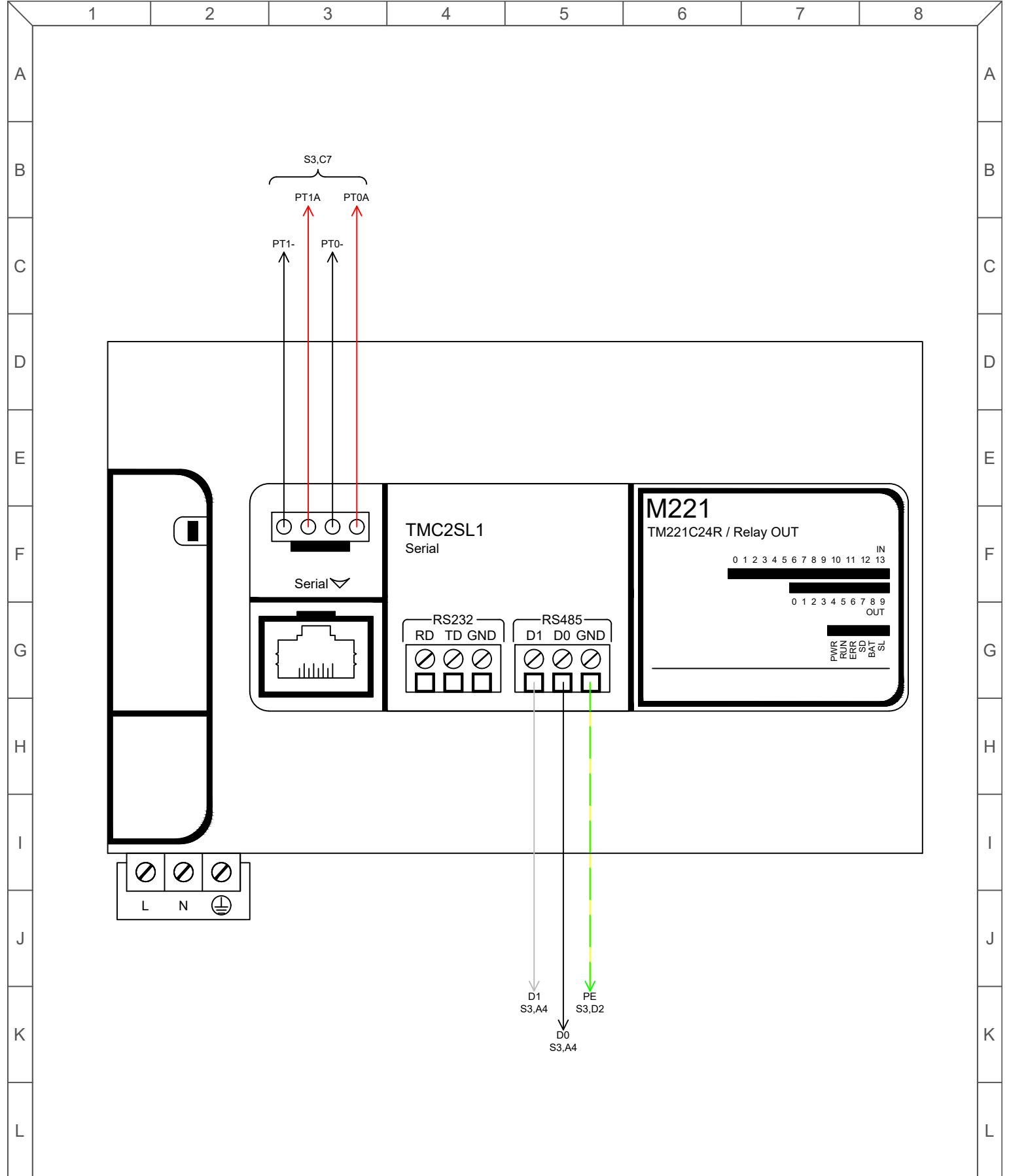
nano-purification solutions limited  
www.n-psi.co.uk

REV	DESCRIPTION	DATE	APPROVED
C-00	Initial Release	15/08/23	ME
C-01	Cable lengths modified	23/01/24	ME
DRAWN	CHECKED	APPROVED	
RW	IC	ME	
DATE	15/08/23	15/08/23	15/08/23

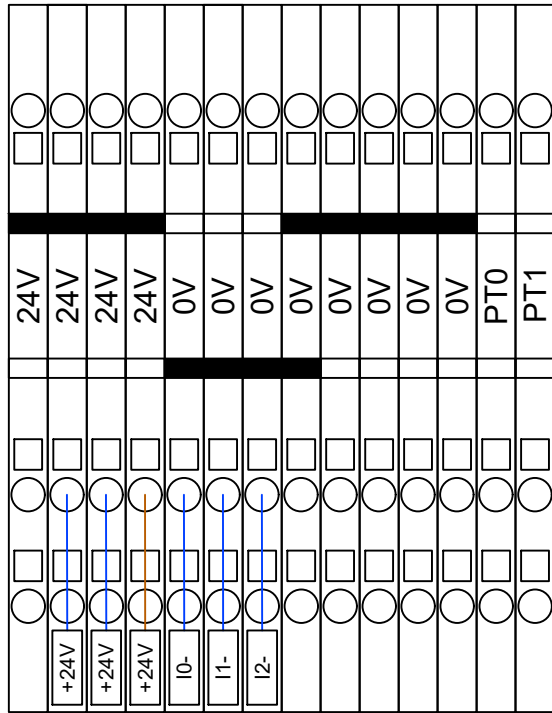
©NANO-PURIFICATION SOLUTIONS LTD 2022.  
THE ORIGINAL COPY OF THIS DRAWING IS COPYRIGHT AND CONTAINS CONFIDENTIAL INFORMATION. IT IS THE PROPERTY OF NANO-PURIFICATION SOLUTIONS LTD. WITHOUT WHOSE PERMISSION IT MAY NOT BE COPIED, SHOWN OR HANDED TO A THIRD PARTY OR OTHERWISE USED AND IT IS NOT TO BE RETURNED PROMPTLY UPON REQUEST TO NANO-PURIFICATION SOLUTIONS LTD.

**TITLE:**  
GEN2 Mini - Power and Signals

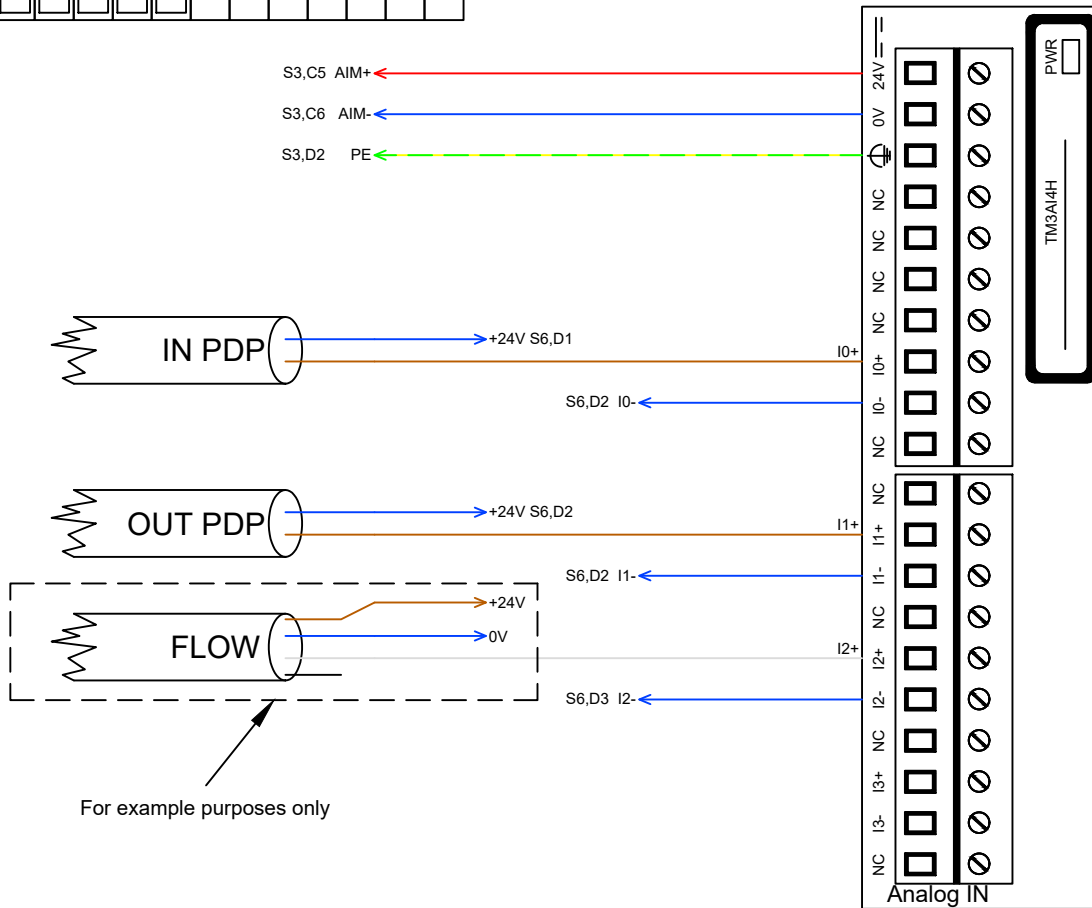
DWG NO	REVISION:	C-01
98-100-0253	SHEET	4 OF 6
	SHEET SIZE	A4



NOTES	REVISION HISTORY				nano-purification solutions limited www.n-psi.co.uk			
	REV	DESCRIPTION	DATE	APPROVED				
	C-00	Initial Release	15/08/23	ME	<small>©NANO-PURIFICATION SOLUTIONS LTD 2022. THE ORIGINAL COPY OF THIS DRAWING IS COPYRIGHT AND CONTAINS CONFIDENTIAL INFORMATION. IT IS THE PROPERTY OF NANO PURIFICATION SOLUTIONS LTD. WITHOUT WHOSE PERMISSION IT MAY NOT BE COPIED, SHOWN OR HANDED TO A THIRD PARTY OR OTHERWISE USED AND IT IS NOT TO BE RETURNED PROMPTLY UPON REQUEST TO NANO PURIFICATION SOLUTIONS LTD.</small>			
	C-01	Cable lengths modified	23/01/24	ME				
					TITLE: GEN2 Mini - Analog & Serial Line			
					DWG NO		REVISION:	C-01
					98-100-0253		SHEET 5 OF 6	SHEET SIZE A4
	NAME	RW	IC	ME				
DATE	15/08/23	15/08/23	15/08/23					



PDP Pinout	
+24V(Blue)	3
I(0)+(Brown)	1



NOTES

REVISION HISTORY

nano-purification solutions limited  
www.n-psi.co.uk

REV	DESCRIPTION	DATE	APPROVED
C-00	Initial Release	15/08/23	ME
C-01	Cable lengths modified	23/01/24	ME
	DRAWN	CHECKED	APPROVED
NAME	RW	IC	ME
DATE	15/08/23	15/08/23	15/08/23

©NANO-PURIFICATION SOLUTIONS LTD 2022.  
THE ORIGINAL COPY OF THIS DRAWING IS COPYRIGHT AND CONTAINS CONFIDENTIAL INFORMATION. IT IS THE PROPERTY OF NANO-PURIFICATION SOLUTIONS LTD. WITHOUT WHOSE PERMISSION IT MAY NOT BE COPIED, SHOWN OR HANDED TO A THIRD PARTY OR OTHERWISE USED AND IT IS NOT TO BE RETURNED PROMPTLY UPON REQUEST TO NANO-PURIFICATION SOLUTIONS LTD.

TITLE:  
GEN2 Mini - Options

DWG NO	REVISION:	C-01
98-100-0253	SHEET	SHEET SIZE
	6 OF 6	A4