

All measurements taken from the edge of the Trunking. HMI cable length - 500mm
Mains Cable Length - 650mm

NOTES

REVISION HISTORY

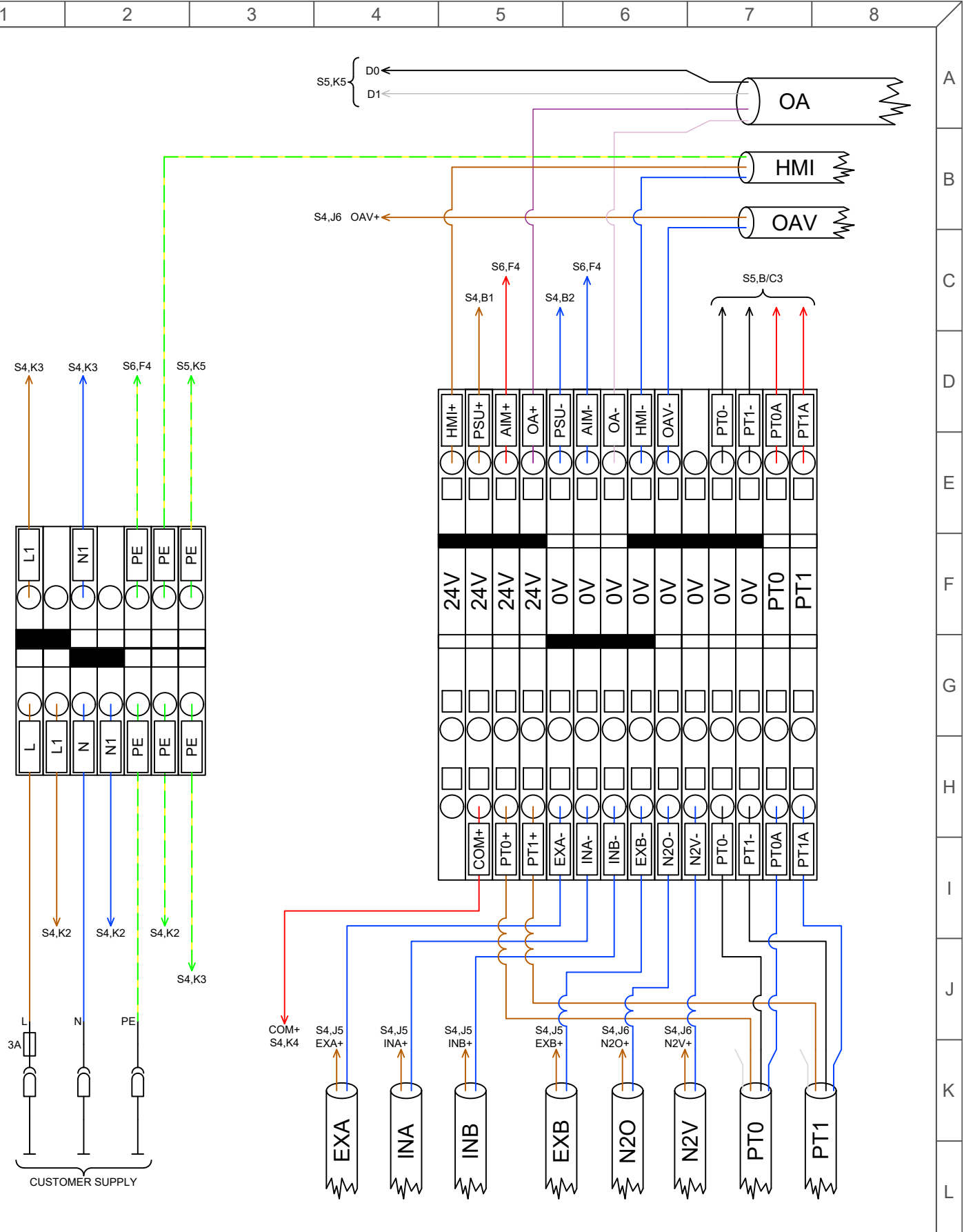
nano-purification solutions limited
www.n-psi.co.uk

REV	DESCRIPTION	DATE	APPROVED
C-00	Initial Release	15/08/23	ME
C-01	Cable lengths modified	23/01/24	ME
DRAWN		CHECKED	APPROVED
NAME	RW	IC	ME
DATE	15/08/23	15/08/23	15/08/23

TITLE:
GEN2 Mini - Main Layout

DWG NO: 98-100-0253
REVISION: 2 OF 6
SHEET SIZE: C-01 A4

©NANO-PURIFICATION SOLUTIONS LTD 2022. THE ORIGINAL COPY OF THIS DRAWING IS COPYRIGHT AND CONTAINS CONFIDENTIAL INFORMATION. IT IS THE PROPERTY OF NANO PURIFICATION SOLUTIONS LTD. WITHOUT WHOSE PERMISSION IT MAY NOT BE COPIED, SHOWN OR HANDED TO A THIRD PARTY OR OTHERWISE USED AND IT IS NOT TO BE RETURNED PROMPTLY UPON REQUEST TO NANO PURIFICATION SOLUTIONS LTD.



NOTES

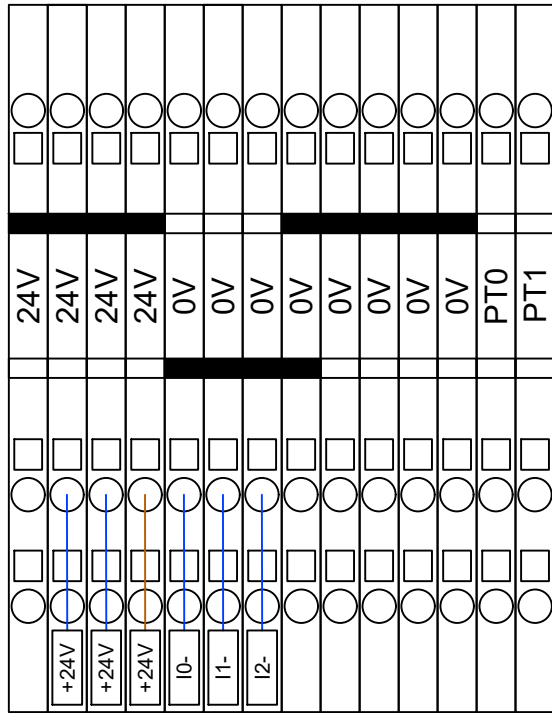
REVISION HISTORY			
REV	DESCRIPTION	DATE	APPROVED
C-00	Initial Release	15/08/23	ME
C-01	Cable lengths modified	23/01/24	ME
DRAWN		CHECKED	APPROVED
NAME	RW	IC	ME
DATE	15/08/23	15/08/23	15/08/23

nano-purification solutions limited
www.n-psi.co.uk

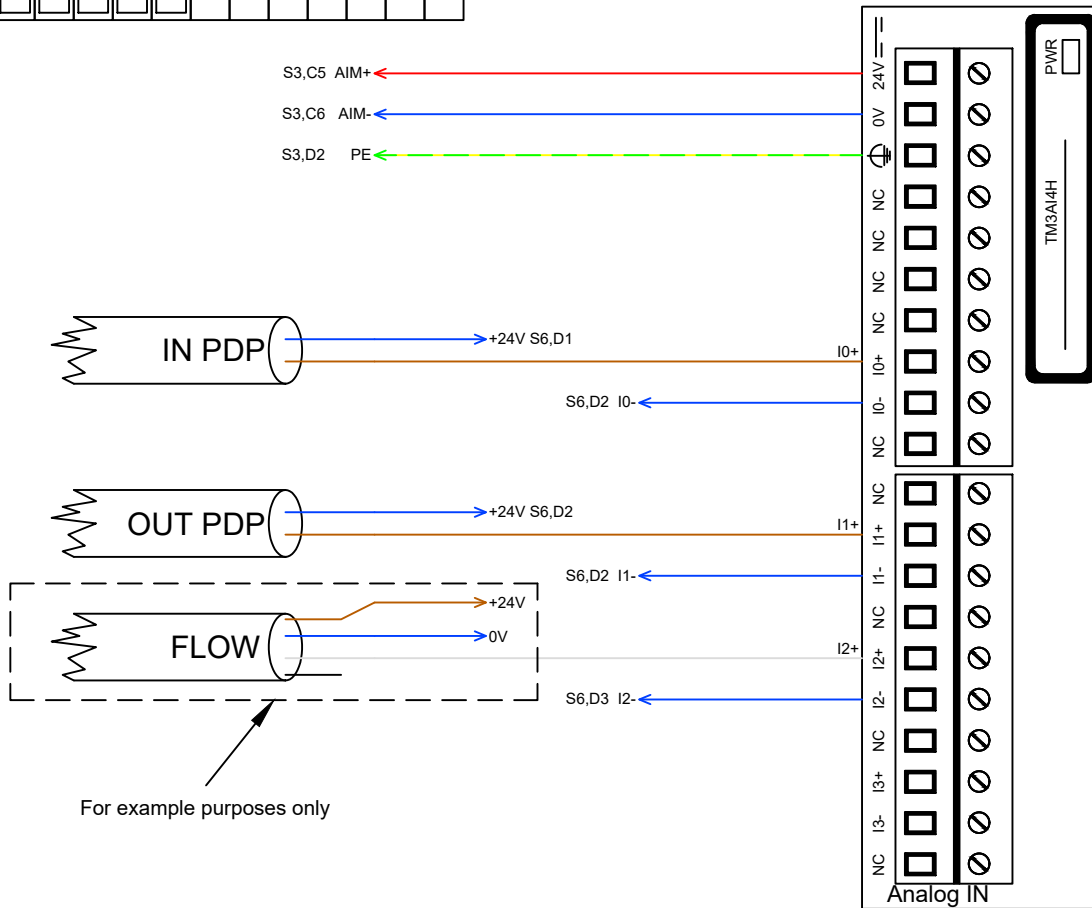
©NANO-PURIFICATION SOLUTIONS LTD 2022. THE ORIGINAL COPY OF THIS DRAWING IS COPYRIGHT AND CONTAINS CONFIDENTIAL INFORMATION. IT IS THE PROPERTY OF NANO-PURIFICATION SOLUTIONS LTD. WITHOUT WHOSE PERMISSION IT MAY NOT BE COPIED, SHOWN OR HANDED TO A THIRD PARTY OR OTHERWISE USED AND IT IS NOT TO BE RETURNED PROMPTLY UPON REQUEST TO NANO-PURIFICATION SOLUTIONS LTD.

TITLE:
GEN2 Mini - Terminals

DWG NO	REVISION:	C-01
98-100-0253	SHEET	SHEET SIZE
	3 OF 6	A4



PDP Pinout	
+24V(Blue)	3
I(0)+(Brown)	1



NOTES

REVISION HISTORY

nano-purification solutions limited
www.n-psi.co.uk

REV	DESCRIPTION	DATE	APPROVED
C-00	Initial Release	15/08/23	ME
C-01	Cable lengths modified	23/01/24	ME
	DRAWN	CHECKED	APPROVED
NAME	RW	IC	ME
DATE	15/08/23	15/08/23	15/08/23

<small>©NANO-PURIFICATION SOLUTIONS LTD 2022. THE ORIGINAL COPY OF THIS DRAWING IS COPYRIGHT AND CONTAINS CONFIDENTIAL INFORMATION. IT IS THE PROPERTY OF NANO-PURIFICATION SOLUTIONS LTD. WITHOUT WHOSE PERMISSION IT MAY NOT BE COPIED, SHOWN OR HANDED TO A THIRD PARTY OR OTHERWISE USED AND IT IS NOT TO BE RETURNED PROMPTLY UPON REQUEST TO NANO-PURIFICATION SOLUTIONS LTD.</small>		
TITLE: GEN2 Mini - Options		
DWG NO	REVISION:	C-01
98-100-0253	SHEET	SHEET SIZE
	6 OF 6	A4