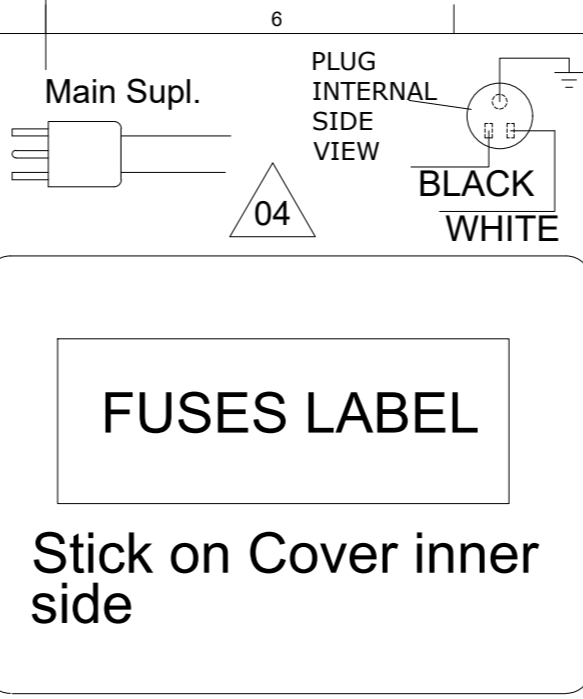
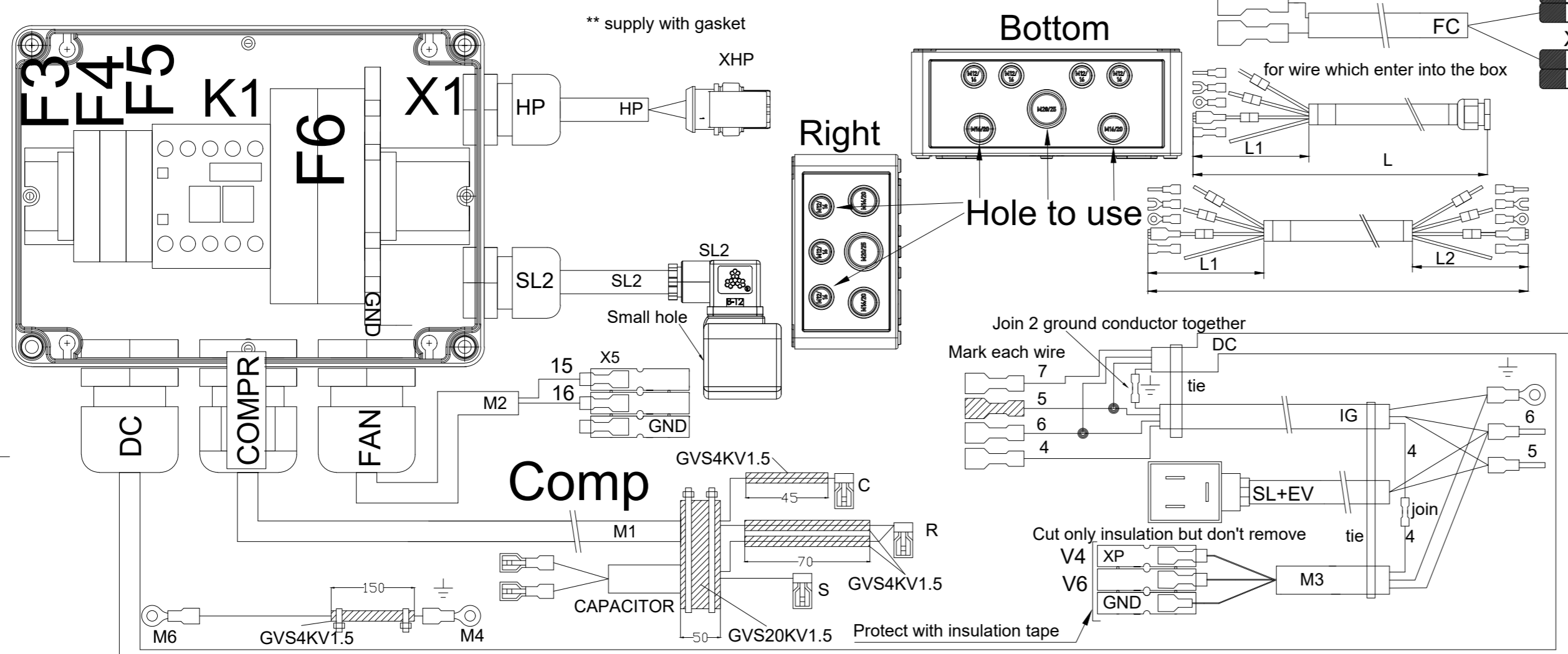


04

CABLE BILL OF MATERIALS	L mm	CABLE TYPE	L1 mm	TERMINAL TYPE SIDE L1	L2 mm	TERMINAL TYPE SIDE L2	NOTES
MAIN SUPPLY	4000	3X12AWG	L1 BLACK1, L2 BLACK2 -	PLUG NEMA 5-15P	80mm - GND 120mm	2x GF-P10 + GND S6-M6	LISTED SJ, SJT, SJTO, SJOOW, SJTOW
HIGH PRESS. SWITCH HP	250	2X18AWG	50mm	See bom	-	-	-
SOLENOID VALVE SL-EV	1550	2X18AWG	-	43650/B UL APPROVED**	IG side: 5-6 80mm;	-	-
IG	400	4X14AWG	80mm - GND 40mm	DC side: 4 BF-F608P; 5-6 GF-F608P	IG side: 4-5-6 80mm; GND 120mm	5-6 GF-P10 + 4 PL06-M + GND S6-M6	-
MOTOR M3 pump	150	3x14AWG	Pump side: 50mm 4-6-GND	4-6 2x BF-F608P; GND 160831-3 + XP	IG side: 80mm 4-6; 120mm GND	-	STYLE 2587 OR 2550 OR 21098 OR 21216 OR ECQUIVALENT
DC Digital controller	1150	4x14AWG	80mm 5-6-7; 40mm GND	5-6 GF-F608P; 7 BF-F608P	-	-	-
MOTOR M1 compressor	1450	2x14AWG	-	-	R 100mm; C 65mm;	C-S 41802; R 60851-1;	-
CAPACITOR	550	2X14AWG	50mm	2xBF-F608P	R 100mm; S 50mm	-	-
MOTOR M2 fan	1050	3x14AWG	-	-	15-16-GND 50mm	BF-F608P	-
EQUALIZ. SOL VALVE SL2	550	3X16AWG	-	43650/A UL APPROVED **	-	-	-
Free contact FC	600	2x18AWG	80mm	RF-F608P	80mm	X1.1-X1.2	-
INTERNAL WIRINGS	-	14AWG - BLACK	-	-	-	-	STYLE 1015
wires 8-10-11-12-13 only	-	18AWG - BLACK	-	-	-	-	STYLE 1015
M1 GND (loose with M1)	550	14AWG - YELLOW GREEN	-	S2,5-M4	S2,5-M6	-	STYLE 1015

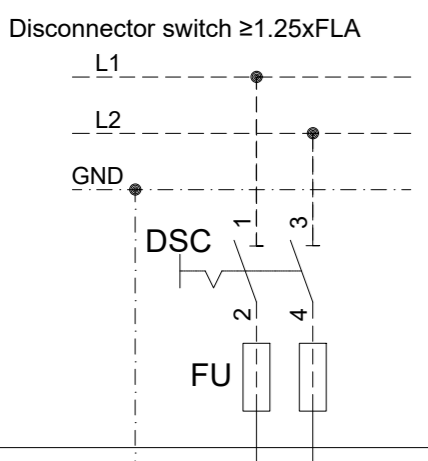


ID	DESCRIPTION	TYPE	MANUFACTURER	CODE	QUANT	NOTE
IG	MAIN SWITCH	OT25FT3	ABB	1089949849	1	LOOSE
LINE	HANDLE	OHBSRH	ABB	1089949850	1	LOOSE
LINE	CABLE GLAND	M25X1,5 STR		0698514122	1	LOOSE
LINE	NUT	M25x1,5		0697980922	1	LOOSE
DC-M1-M2	CABLE GLAND	M20X1,5		0698514121	3	
ALL	NUT	M20x1,5		0697980953	3	
M2	CABLE GLAND	PG11		0698514219	1	LOOSE
	NUT	PG11		0697980300	1	LOOSE
HP - SL2	CABLE GLAND	M16X1,5		0698514123	2	
ALL	NUT	M16X1,5		0697980955	2	
X5	CONNECTOR	PA21		2203080501	3	
	PROTECTIVE CAP			0993421506	3	LOOSE
BOX	MAIN BOX	TK PC 18-13-11-m	SPELSBERG	1089945804	1	
	SERVICE DIAGR.			2205044910	1	
K1	CONTACTOR	3RT2017-1AK62(115V)	SIEMENS	1089943857	1	
F3-4	K1 - SL2 CONTROL FUSE	GMD 1-R 1A 5x20mm		1089916874	2	
F5	CONTROL FUSE	GMD 2-R 2A 5x20mm		1089916877	1	
	FUSE HOLDER	SFR.4/GR	CABUR	1088151038	3	
	FUSE HOLDER	SFR.4/PT/GR	CABUR	1088151039	3	
F6	FAN FUSES	FNQ-R-2	CC 2A time-delay	1089916824	2	
	FUSE HOLDER	BCC 2x38		1089959404	1	
X1	EARTH TERMINAL	HTE.2/2+2	CABUR	1088151011	1	
	EARTH T. END PLATE	HMT.2/2+2/PT/GR	CABUR	1088151015	1	
	DIN RAIL	35X7.5mm		-	160mm	
	END STOP	249-116	WAGO	1088003181	2	
	FUSES LABEL			2204263051	1	BOX COVER INT
	LABEL ELECTRICAL EQUIPMENT			2204263061	1	LOOSE
	WARNING LABEL ELECTRICITY			2203054110	1	BOX COVER EXT
HP	CONNECTOR FEMALE	282080-1	AMP	1088001127	1	
	SEALING PLUG	282934-3	AMP	1088001153	2	
	TERMINAL	282110-1	AMP	0694528533	2	
SL2	SOLENOID COIL 115V			2204256404	1	EXT. BOX
X1.1X1.2	FREE CONTACT TERMINALS	221-412	WAGO	-	2	
	INSULATION CAP	GVS 30KV1.5	ELEKTROZUBEHOR		94x190	LOOSE
XP	CONNECTOR	PA21		2203080501	3	
	PROTECT. SHEATH GVS	DIAM40X200		2204255540	2	LOOSE



COMPULSORY INSTALLATION AT CUSTOMER CARE.
Disconnect switch (DSC) + time delay fuses (FU)

Supply	FLA	Largest motor	J or RK5 fuses
T60 115V	10.6	8.7	15
T80 115V	12	10.2	15

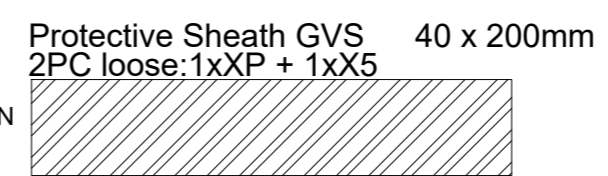


FUSES TABLE

Size	J type	RK5 type	FRN-R15	FRS-R-15
T60	LPJ-15SP	FRN-R15	FRS-R-15	FRS-R-15
T80	LPJ-15SP	FRN-R15	FRS-R-15	FRS-R-15

FU fuses manufacturer ex. Cooper Bussman - Eaton

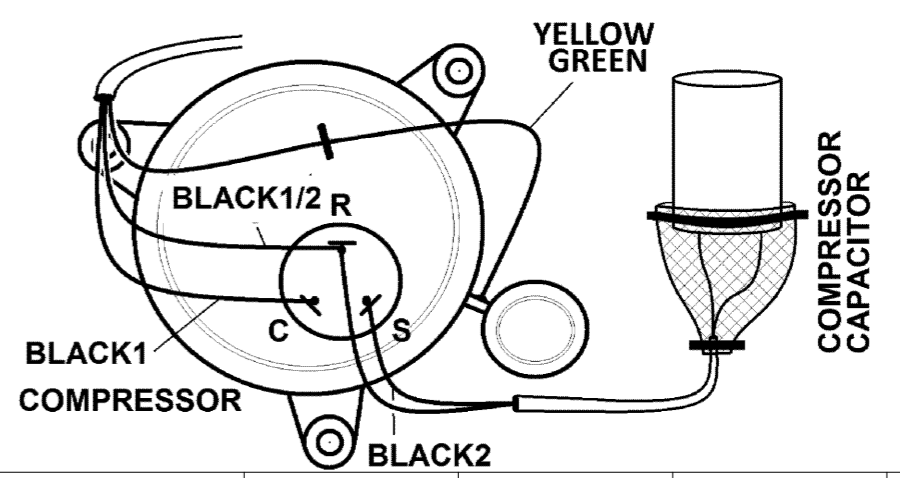
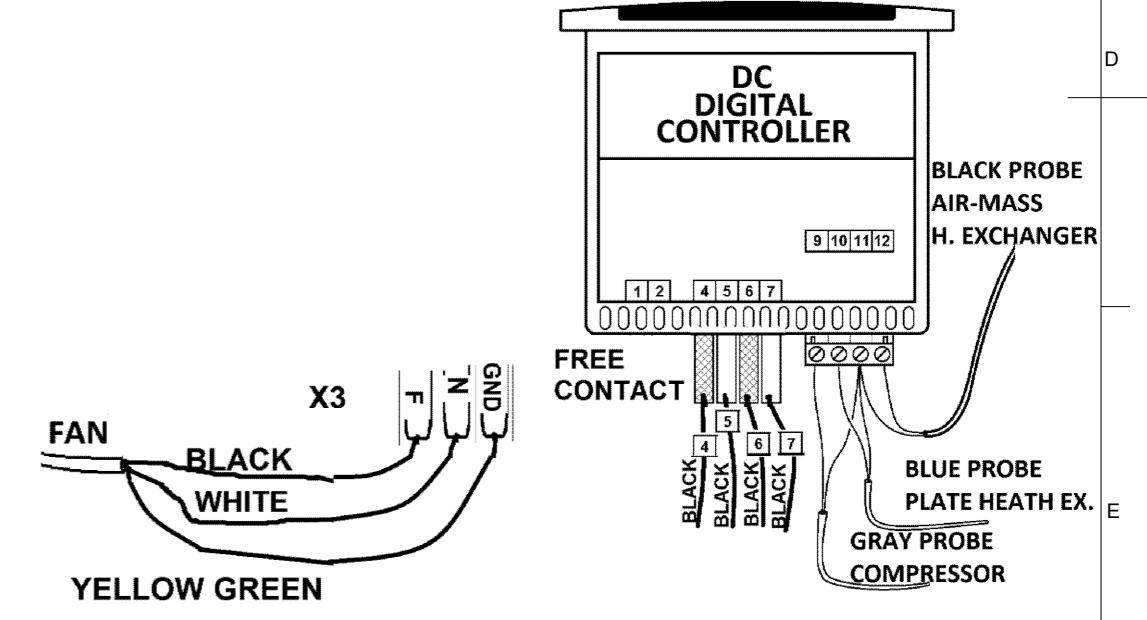
NOTE:
- All wires shall be marked with identification tag.
- All components shall be marked with identification tag.
- Wire harness shall be UL certified according to CCN ZPFW2-ZPFW8
- Print DIAGRAM SERVICE in A3 format.



Tightening Torque

	M3.5	M4	M6	M8
Contactor terminal				
Main Recomm. Torque [Nm]	1.5	2.5	4.0	6.0
Aux Recomm. Torque [Nm]	1.2	1.2	1.2	1.2
Transformer terminal	TR			
Recomm. Torque [Nm]	0.5-1.0			

- DSC CUSTOMER MAIN SWITCH
- FU CUSTOMER CARE INSTALL. FUSES
- IG DISCONNECTOR SWITCH
- SL-EV DRAIN
- DC DIGITAL CONTROLLER
- K1 COMPRESSOR MOTOR
- F3 COMPRESSOR CAPACITOR
- F4 FAN MOTOR
- F5 FAN PROTECTION FUSE
- F6 COMPRESSOR MOTOR
- M1 COMPRESSOR MOTOR
- C COMPRESSOR CAPACITOR
- M2 FAN MOTOR
- M3 PUMP
- T1 COOLANT MASS TEMP.
- T2 PLATE EXCHANGER TEMP.
- T3 REFR. COMPRESSOR TEMP.
- HP HIGH PRESSURE SWITCH
- SL2 PRESSURE EQUALIZ. VALVE



STANDARD Class		General tolerances	
Name	SERV. DIAGRAM	1350K - V	
Material	See Drawing	TMC 0130-0170 N 115V 60Hz UL	
Treatment	Not Applicable	Not Applicable	
Scale	Family	A2	Compare
Drawn by	Blank nr.	Replaces	Drawing owner
Version Drwg	Blank wt.	Kg	Transferred from
Des checked.	Prod checked.	Approved.	Date
RELEASED		6/6/2024	
2205044910-01			

CONFIDENTIAL:
This document is property of A & G Gas Solutions LLC and shall not be distributed or used for manufacturing or communication to any other person or company.

Note	Position	Modified from	Date	Intr/Appd
4		Upgr. BOM, add NEMA plug. DN24054120 DN28908.	7/8/2024	CAlebarban

Parent 3D Model	Ed. Version 3D