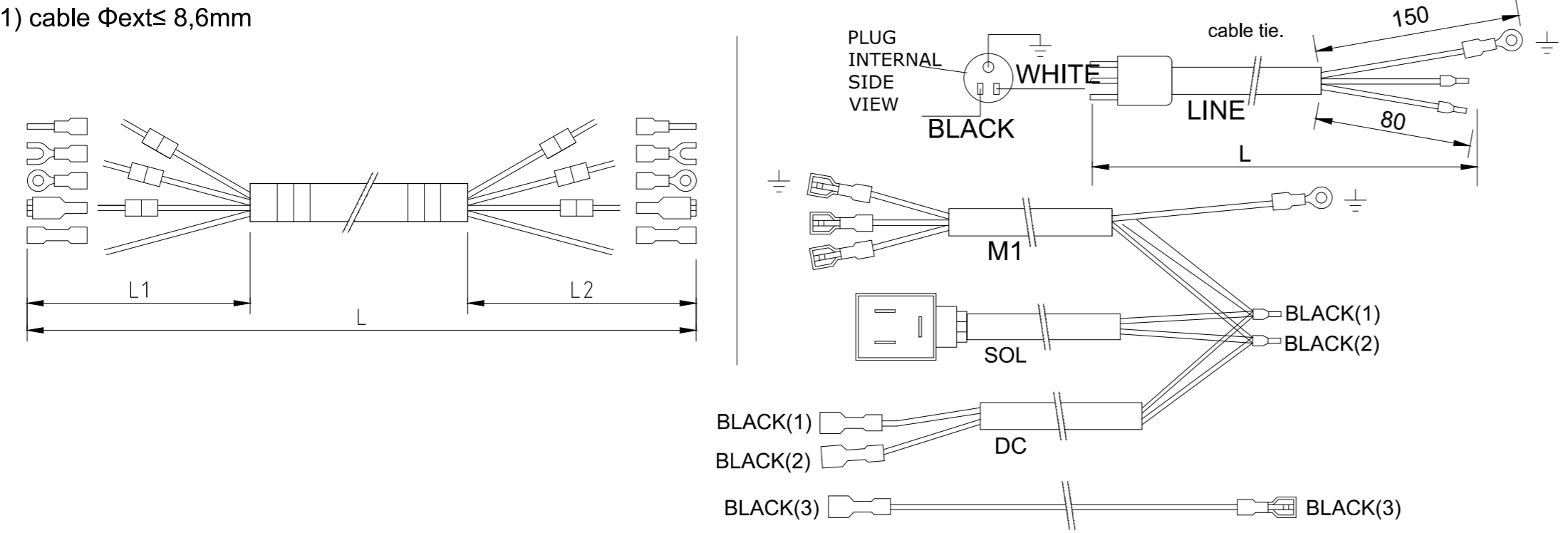
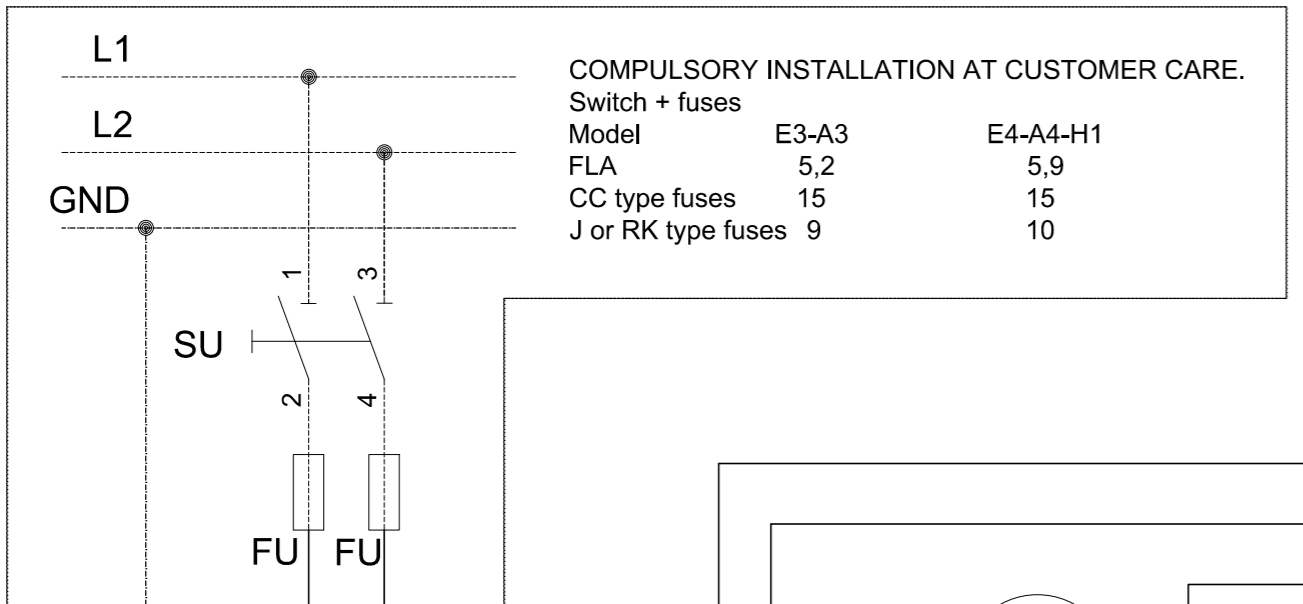


CABLE BILL OF MATERIALS			SIDE A		SIDE B										
CABLE FOR	LENGT H mm	CABLE TYPE	L1 mm	TERMINAL TYPE	L2 mm	TERMINAL TYPE	NOTES								
MAIN SUPPLY	4000	AWG14 3G2,5	-	NEMA5 - 15P	80 -150GND	2xBF-P10 + S2,5-M6	LISTED SJ, SJT, SJTO,SJOOW,SJTOW								
MOTOR M1 (*1)	850	AWG14 3G2,5	100	2xBF-F 608 + 160831-3(GND)	80 -150GND	2xGF-P10 + S2,5-M6									
FAN M2	-	-	-	-	-	-	style 2587 or 2550 or 21098 or 21216 or equivalent								
DIGITAL CONTROLLER DC	450	AWG18 2x1	100	2xRF-F 608P	50	-									
SOLENOID VALVE SOL	1250	AWG18 2x1	-	43650/B **	80	-									
OUTPUT RELAY FOR FAN	850	AWG18 1mm2 N07V-K black	-	RF-F 608P	-	RF-F 608	style 1015 90°								

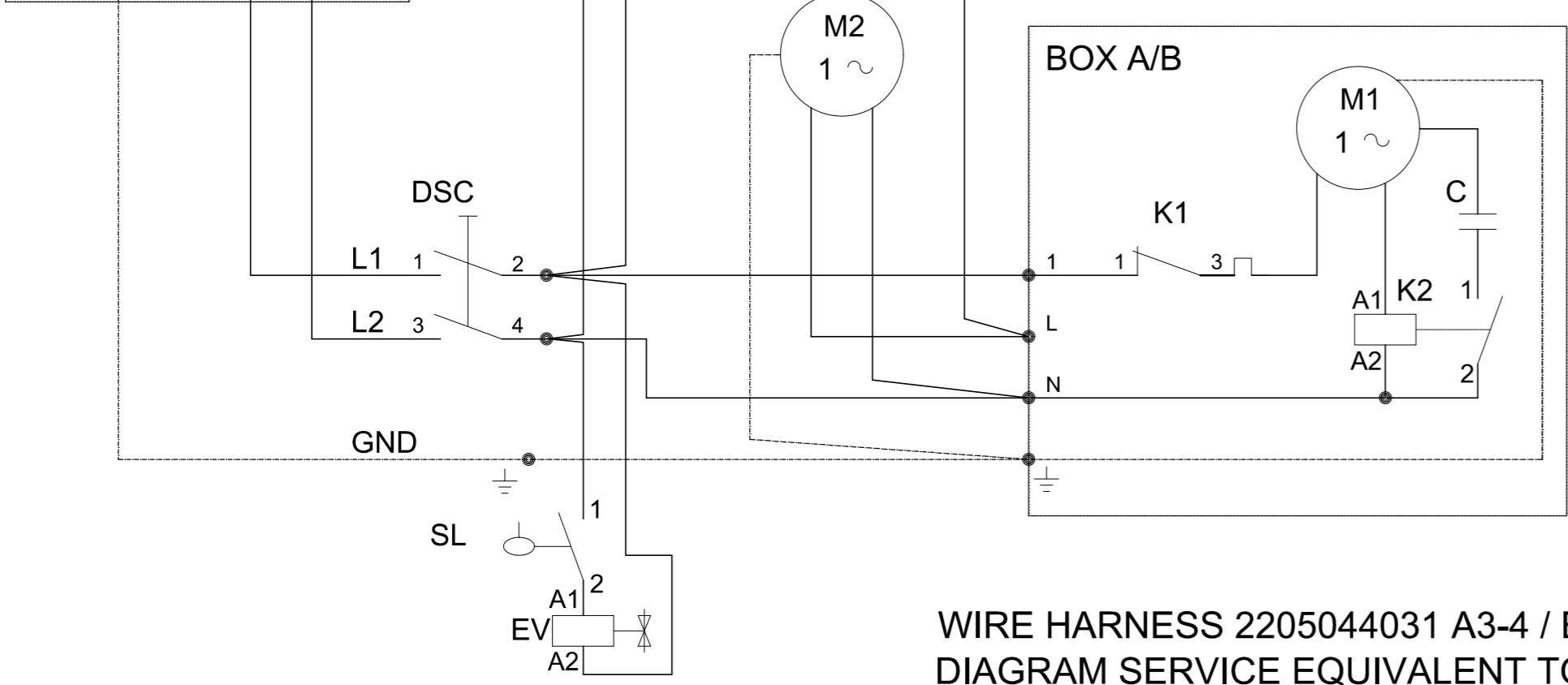
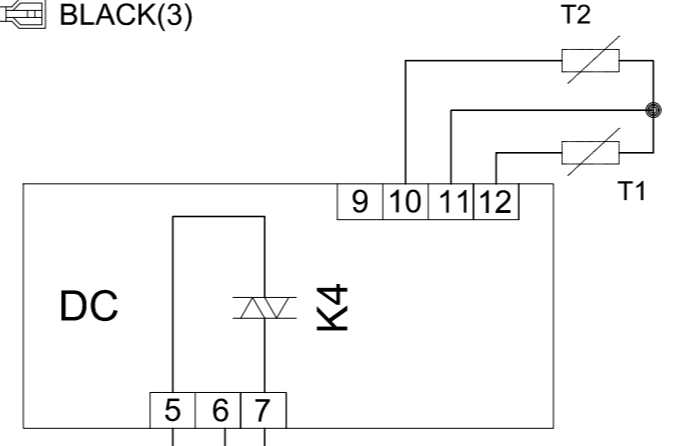
(*1) cable $\Phi_{ext} \leq 8,6mm$



- * FIELD INSTALLED
- ** SUPPLY WITHOUT GASKET
FIX THE SCREW WITH ADHESIVE TAPE
- SU DISCONNECTOR SWITCH
- FU FUSES CUSTOMER CARE INSTALLATION
- DSC DISCONNECTOR SWITCH
- SL LEVEL SWITCH
- EV DRAIN SOLENOID VALVE
- M1 COMPRESSOR MOTOR
- M2 FAN MOTOR
- K1 OVERLOAD RELAY
- K2 STARTING RELAY
- K4 FAN SWITCH
- C STARTING CAPACITOR
- T1 TEMPERATURE SENSOR NTC (P1)
- T2 TEMPERATURE SENSOR NTC (P2)
- DC DIGITAL CONTROLLER

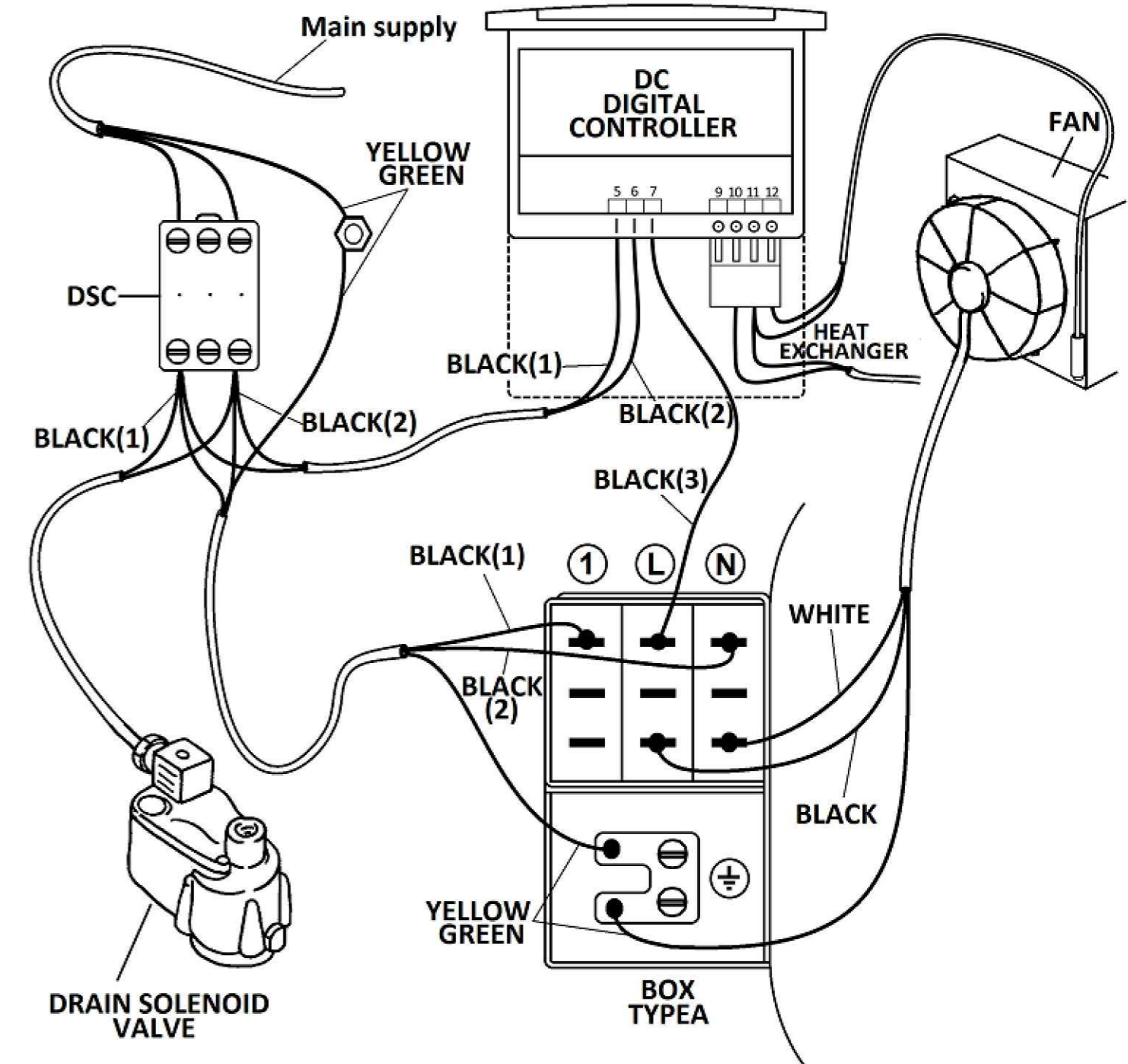
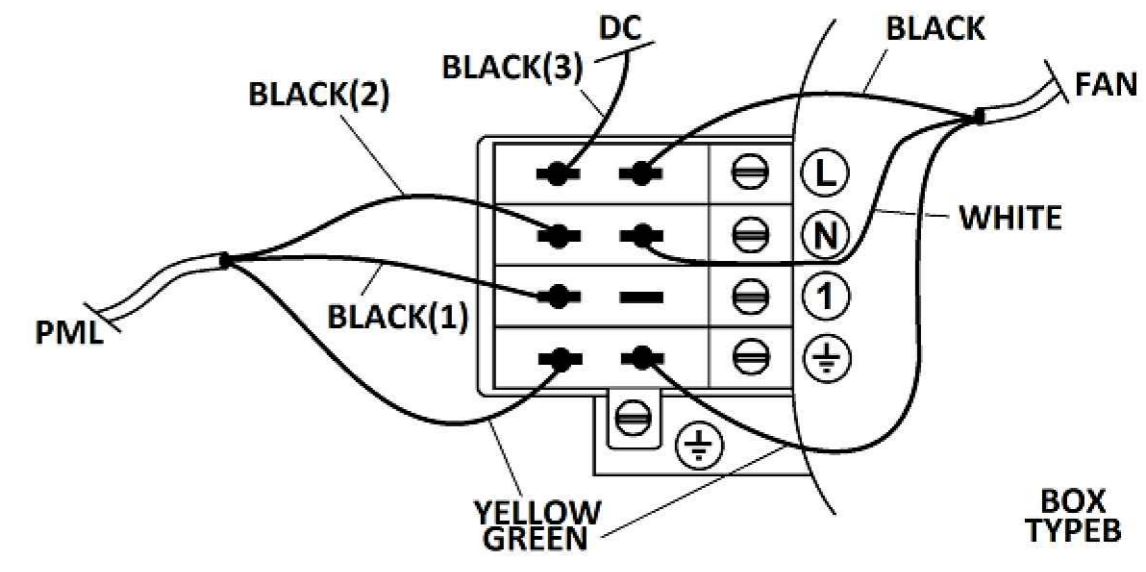


Model	E3-A3	E4-A4-H1
FLA	5,2	5,9
CC type fuses	15	15
J or RK type fuses	9	10



WIRE HARNESS 2205044031 A3-4 / E3-4 115/60 UL
DIAGRAM SERVICE EQUIVALENT TO 2205044039

ID	DESCRIPTION	TYPE	MANUFACTURER	CODE	QUANT.	POS.
DSC	SWITCH	OT25FT3	ABB	1089949849	1	
	HANDLE	OHBS3RH	ABB	1089949850	1	
	Plastic cable tie	5203	ITW			
		320-30	LEGRAND			
	CABLE GLAND	M25X1,5	(7-13mm)	0698514122	1	
	NUT	M25x1,5		0697980954	1	



CONFIDENTIAL: This document is property of Atlas Copco AB and shall not be distributed or used without our permission. All rights reserved. Copying, reuse for manufacturing or communication to any other person or company.

Note	Position	Modified from	Date	Intr./Appd.
02		Title block updated & DN 220541 17 and CID28208	04-04-2022	

02	Tolerances, if not indicated, according to:		General tolerances		
			1350K - V		
Name			SERVICE DIAGRAM		E3-4, A3-4 115/60 UL EL CONTROL
Material			See Drawing		Confidentiality class acc. to 1102 K
Treatment			Not Applicable		Internal
					ACDE
Scale		Family		Compare	

Drawn by		Blank nr.		Replaces	
Drawing format		Blank wt.		Fini wt.	
01.00		Kg		Kg	
Des checked.		Prod checked.		Approved.	
				Date	
				10/11/2020	
Parent 3D Model		Ed.Version 3D		Designation	
				Sheet () 01 01	
Approved Internal		Approved.		Date	
				10/11/2020	
				2205044030	