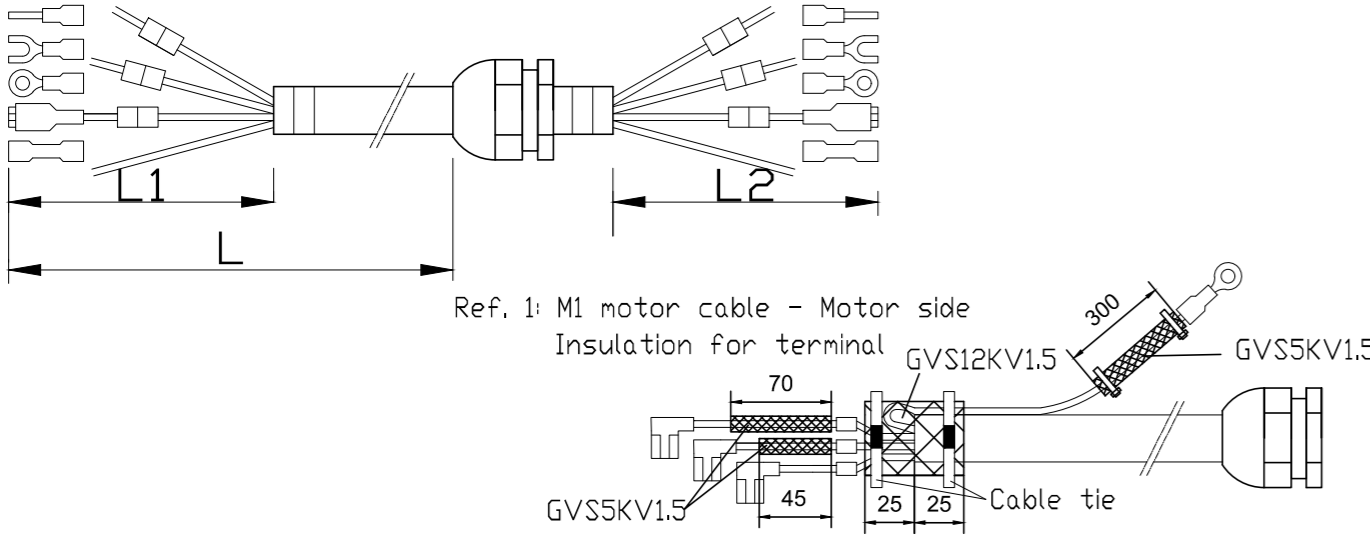


| CABLE BILL OF MATERIALS | IDENTIF. | Side A | Side B | Notes |
|---|------------------|--------------|---|-----------------------|
| Cable for | L(mm) Cable Type | WIRE | L1 (mm) Terminal type | L2 (mm) Terminal type |
| MAIN SUPPLY -DSC | 4000 AWG14 4G2,5 | L1-L2-L3-GND | 80-150(GND) 4x BF-P10 | - 3xBF-P10+S2,5-M6 |
| DSC - CUBICLE | 1100 AWG14 4G2,5 | U-V-W - GND | 100-150(GND) 3xBF-P10+S2,5-M6 | - - |
| COMPR. MOTOR (M1) | 1500 AWG14 4G2,5 | U-V-W - GND | 65(U) - 100(V) - 50(W) - 450(GND) 3x 41802 see Ref1 + S2.5M4(GND) | - - |
| FREE CONTACT | 300 AWG18 2x1 | - | 80 2x RF-F608P | 80 2x221-412 |
| FAN MOTOR (M2) | 1300 AWG14 4G2,5 | U1-V1-W1-GND | 100 4x BP-P10 | - - |
| FAN MOTOR (OL2) | 1300 AWG18 2x1 | TK-TK | 50 2x RP-P10 | - - |
| DIGITAL CONTROLLER (DC1) | 1300 AWG18 2x1 | 5-6 | 50 2x RF-F608P | - - |
| DIGITAL CONTROLLER (DC2) | 1300 AWG18 2x1 | 4-7 | 50 2x RF-F608P | - - |
| SOL.VALVE (FL-SOL) | 1050 AWG18 2x1 | 0-11 | - | - |
| RACEWAYS UL RECOGNIZED (EG. IBOCO T1-E,T1-EN, ...), H<=40mm | | | | |

2205041501: CUBICLE E10S - BE10S 460/60 UL

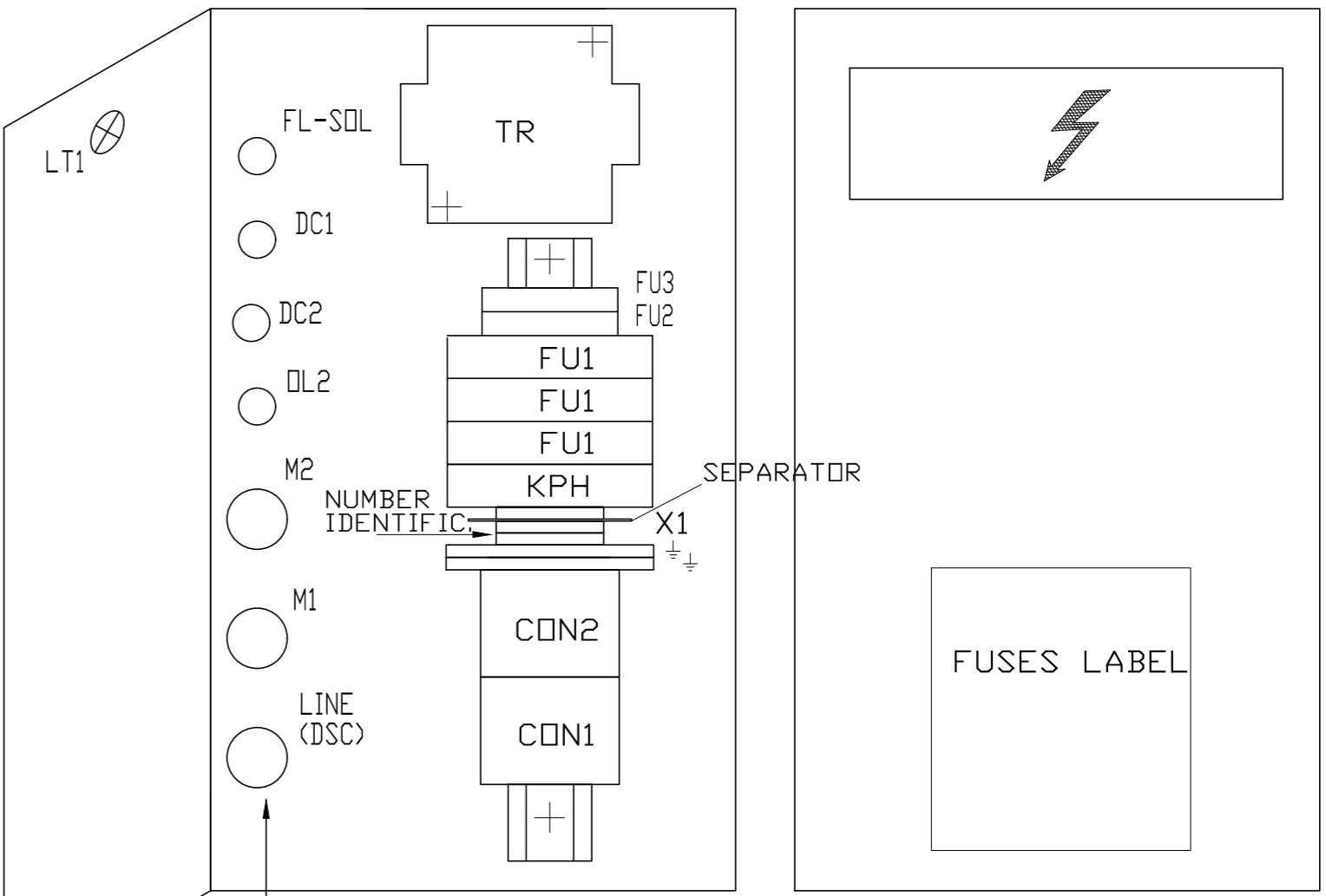
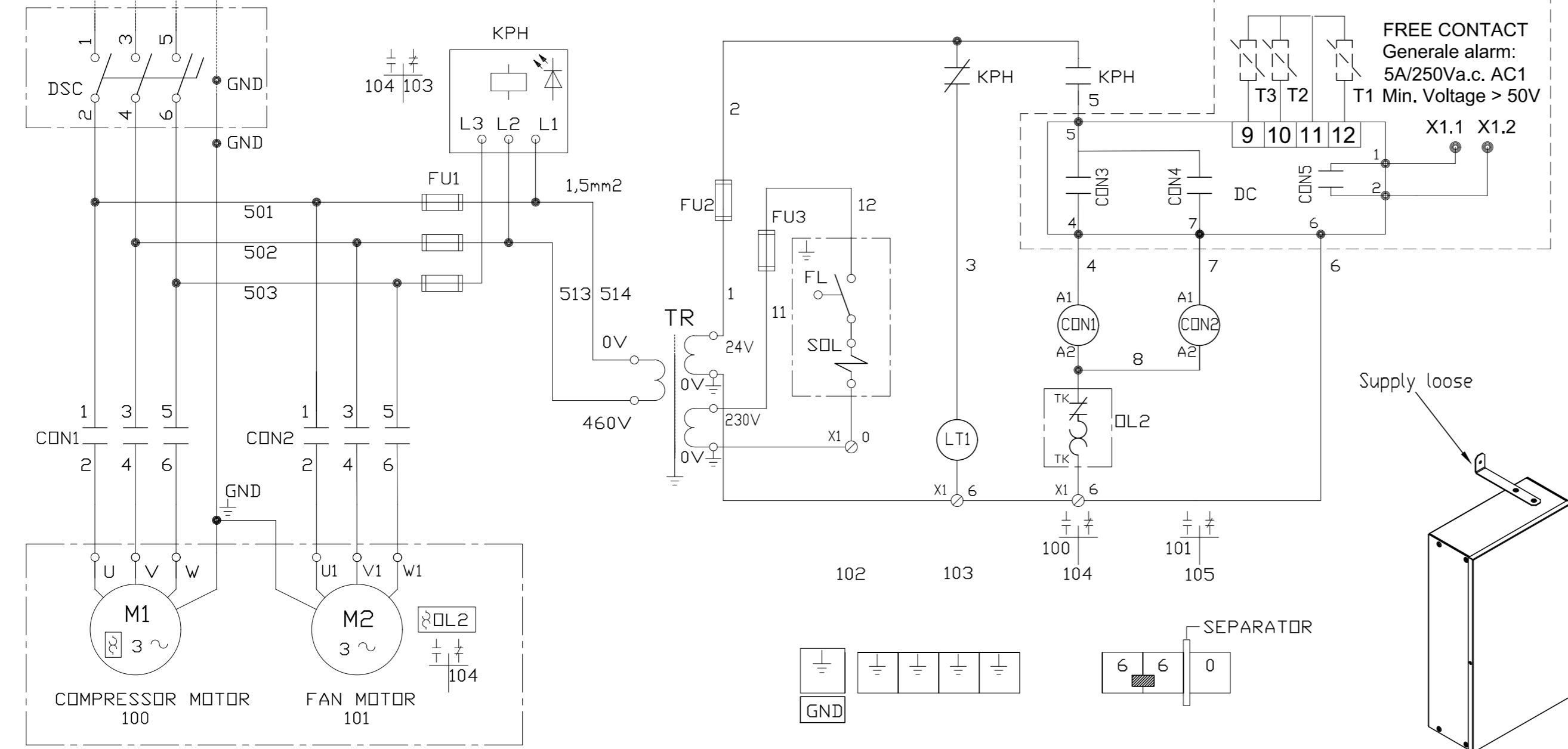
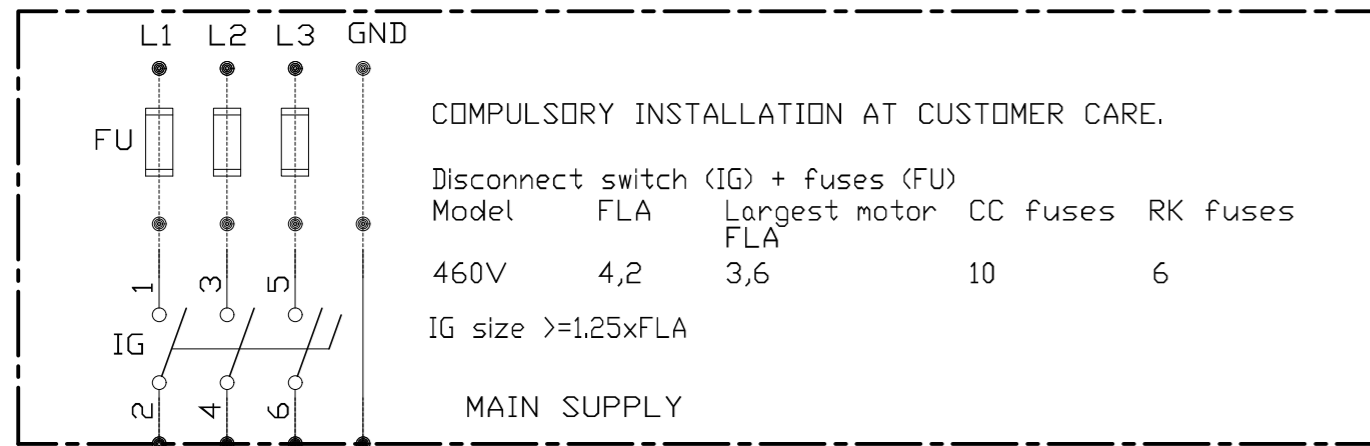
| ID | Description | Type | Manuf. | Code | Quant. | Notes |
|------|-----------------------------------|-------------------------------------|------------|------------|--------|-------|
| DSC | SWITCH | OT25FT3 | ABB | 1089949849 | 1 | |
| CON1 | HANDLE | OHBS3RH | ABB | 1089949850 | 1 | |
| CON2 | CONTACTOR | AS09-30-01-20 | ABB | 1089960219 | 1 | |
| CON3 | CONTACTOR | AS09-30-01-20 | ABB | 1089960219 | 1 | |
| LT1 | SIGNAL LAMP 24V RED (CURUS) | 33U.5 | SIGNAL LUX | 1089959613 | 1 | |
| TR | TRANSFORMER | 0-230-460V/0-24/ 0-230V, 50+20VA UL | METH | 2202823500 | 1 | |
| FU1 | FUSE | KTK-1 | BUSSMANN | 1089916848 | 3 | |
| FU2 | FUSE HOLDER | BCH 3X38 | ITALWEBER | 1089959403 | 1 | |
| FU3 | FUSE | 5x20 2A UL | | 1089916877 | 1 | |
| FU4 | FUSE HOLDER | 8WA1011-1SF12 | SIEMENS | 1089050616 | 1 | |
| FU5 | FUSE | 5x20 160mA UL | | 1089916882 | 1 | |
| FU6 | FUSE HOLDER | 8WA1011-1SF12 | SIEMENS | 1089050616 | 1 | |
| KPH | PHASE SEQUENCE RELAY | EMWS84903020 | CROUZET | 1089947604 | 1 | |
| X1 | TERMINAL | 870-901 | WAGO | 1088003750 | 3 | |
| X2 | SEPARATOR | 8WA1 821 | SIEMENS | 1089050621 | 1 | |
| X3 | GROUND TERMINAL | 870-507 | WAGO | 1088003503 | 2 | |
| X4 | CABLE GLAND (SUPPLY LINE, M1, M2) | M20x1,5 | | 0698514121 | 3 | |
| X5 | NUT | M20x1,5 | | 0697980953 | 3 | |
| X6 | CABLE GLAND | M25x1,5 | | 0698514117 | 1 | loose |
| X7 | NUT | M25x1,5 | | 0697980954 | 1 | loose |
| X8 | CABLE GLAND (,SL-EV,OL2,DC1,DC2) | M16x1,5 | | 0698514123 | 4 | |
| X9 | NUT | M16x1,5 | | 0697980920 | 4 | |
| X10 | BOX | | | 2202853310 | 1 | |
| X11 | WARNING LABEL | | | 2203054110 | 1 | |
| X12 | FUSES LABEL | | | 2202854200 | 1 | |
| X13 | SERVICE DIAGRAM | A3 FORMAT | | 2205041500 | 1 | |

*** POWER SUPPLY LINE MUST BE PROTECTED BY RACEWAY (DUCT) OR AN APPROVED CONDUIT SYSTEM.



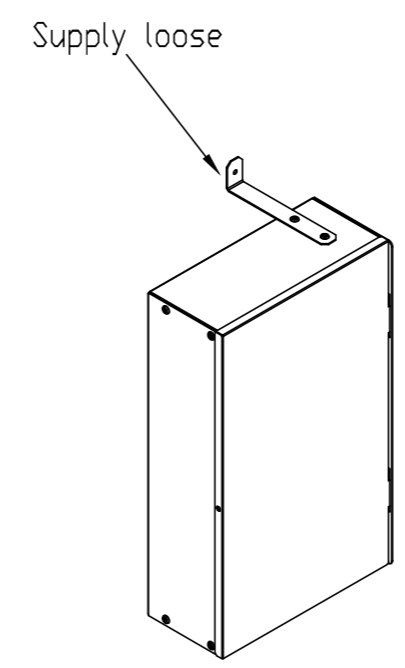
(x1) : L=130mm
(x2) : SUPPLY WITHOUT GASKET
FIX THE SCREW WITH ADHESIVE TAPE

- CON2 FAN MOTOR CONTACTOR
- CON1 COMPRESSOR CONTACTOR
- OL2 FAN THERMAL PROTECTION
- SOL DRAIN SOLENOID VALVE
- FL LEVEL SWITCH
- DSC DISCONNECT SWITCH
- DC DIGITAL CONTROLLER
- CON3 REF.COMPRESSOR RELAY
- CON4 FAN RELAY
- CON5 FREE CONTACT
- TR TRANSFORMER
- FU1 PRIMARY FUSE
- FU2-3 SECONDARY FUSE
- M1 REFRIGERANT COMPRESSOR
- M2 FAN
- T1 TEMPERATURE SENSOR NTC (P1)
- T2 TEMPERATURE SENSOR NTC (P2)
- T3 TEMPERATURE SENSOR PTC (P3)
- KPH PHASE SEQUENCE RELAY
- LT1 WRONG ROTATION SIGNAL LAMP



Install all EXT SIDE

| Tightening Torque | | | | |
|--------------------------|---------|---------|---------|-----|
| Component | M3.5 | M4 | M6 | M8 |
| Main Recomm. Torque [Nm] | 1.5 | 2.5 | 4.0 | 6.0 |
| Aux Recomm. Torque [Nm] | 1.2 | 1.2 | 1.2 | 1.2 |
| Transformer terminal | T1 | T2 | T3 | |
| Recomm. Torque [Nm] | 0.5-1.0 | 0.5-1.0 | 0.5-1.0 | |



CONFIDENTIAL: This document is property of ABB and shall not be distributed or used for manufacturing or communication to any other person or company.

| Note | Position | Modified from | Date | Intr./Appd. |
|------|----------|---|------------|-------------|
| 06 | | Title block updated & DN 220541 17 and CID28208 | 04-04-2022 | |

All materials supplied are in compliance with the requirements of the List of Prohibited Substances

06

| | | | |
|---|-----------------|--------------------------------------|------------------|
| Tolerances, if not indicated, according to: | | General tolerances | |
| | | 1350K - V | |
| Name | DIAGRAM SERVICE | E10S - BE10S 460/60 UL R410 | |
| Material | See drawing | Confidentiality class acc. to 1102 K | |
| Treatment | Not applicable | Internal | |
| | | ACDE | |
| Scale | -- | Family | A2 |
| Drawn by | | Blank nr. | |
| Drawing format | 05.00 | Replaces | |
| Des checked. | | Prod checked. | |
| Approved. | | Date | 18/01/2017 15:13 |

Approved Internal

Parent 3D Model Ed.Version 3D

Sheet () 01 01

2205041500