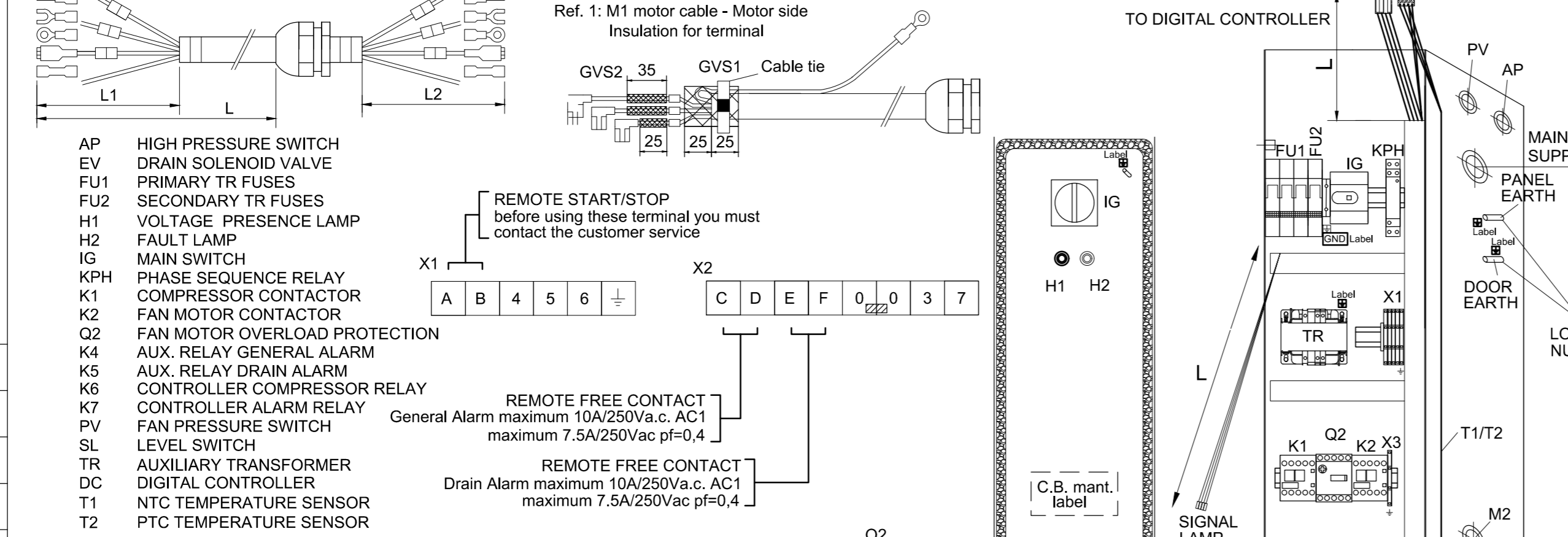


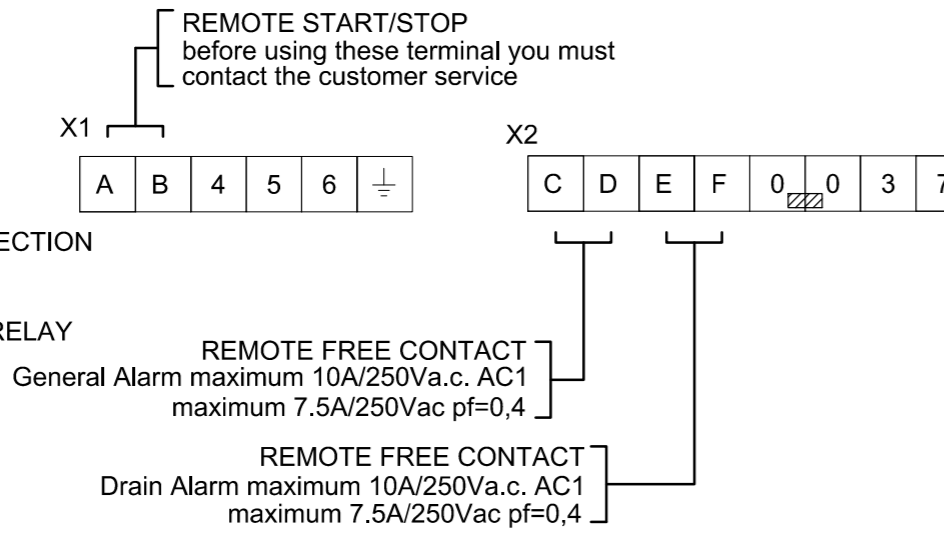
CABLE BILL OF MATERIALS	Length [mm]	Cable Type	WIRE	Side A L1 [mm]	Terminal type	Side B L2 (mm)	Terminal type	Notes
MAIN SUPPLY	4000	AWG14 4G2.5	L1-L2-L3-GND	80	4x BP-P10	80	4x KE2508ST	LISTED MTW 90°C *** See ref.1 min bending radius for PE 5 mm. Style 2587 or 2550 or 21098 or 21216 or 21089 or 2464 or equivalent
COMPR. MOTOR M1	2080	AWG14 4G2.5	U-V-W-GND	80	3X BN-FAB608 1x S2,5-M4	150	4x KE2508ST	
FAN MOTOR M2	1180	AWG14 4G2.5	U1-V1-W1-GND	80	4x BP-P10	120	4x KE2508ST	
PRESSURE SWITCH PV	1700	AWG18 3x1	4-5-GND	50	2xRF-U4 + RF-M4 (GND)	80	3x KE110	Style 2587 or 2550 or 21098 or 21216 or 21089 or 2464 or equivalent
PRESSURE SWITCH AP	350	AWG18 2x1	4-6	50	TYCO See ref.2	80	2x KE110	
SIGNAL LAMP	500	AWG18 1mm² red	0-3-0-7	-	2xRF-F608P (0-7) + 2xBF-F608P (0-3)	-	-	STYLE 1015 t≥90°C
DOOR EARTH CONN.	450	AWG10 6mm² Ye/Gr	-	-	S6-M5	-	S6-M5	STYLE 1015 t≥90°C. Connected only to the door
PANEL EARTH CONN.	200	AWG10 6mm² Ye/Gr	-	-	S6-M5	-	S6-M5	STYLE 1015 t≥90°C. Supply loose
DIGITAL CONTROLLER X5	200	AWG18 1mm² red	0-3-7-13	-	4xBN-FAR608 + X5	-	-	STYLE 1015 t≥90°C
PROBE KIT + WIRING	200	-	-	-	-	-	-	-
SOL. VALVE SL-EV	1050	4G0.34	0-3-3-8	-	-	-	-	CYJV Cable Assemblies See ref. 3

RACEWAY UL RECOGNIZED (EG. IBOCO T1-E, T1-EN, ...), H≤40

*** Power supply line must be protected by a raceway (duct) or an approved conduit system
Wire harness UL certificated CCNZPFW2-ZPFW8



- AP HIGH PRESSURE SWITCH
- EV DRAIN SOLENOID VALVE
- FU1 PRIMARY TR FUSES
- FU2 SECONDARY TR FUSES
- H1 VOLTAGE PRESENCE LAMP
- H2 FAULT LAMP
- IG MAIN SWITCH
- KPH PHASE SEQUENCE RELAY
- K1 COMPRESSOR CONTACTOR
- K2 FAN MOTOR CONTACTOR
- Q2 FAN MOTOR OVERLOAD PROTECTION
- K4 AUX. RELAY GENERAL ALARM
- K5 AUX. RELAY DRAIN ALARM
- K6 CONTROLLER COMPRESSOR RELAY
- K7 CONTROLLER ALARM RELAY
- PV FAN PRESSURE SWITCH
- SL LEVEL SWITCH
- TR AUXILIARY TRANSFORMER
- DC DIGITAL CONTROLLER
- T1 NTC TEMPERATURE SENSOR
- T2 PTC TEMPERATURE SENSOR

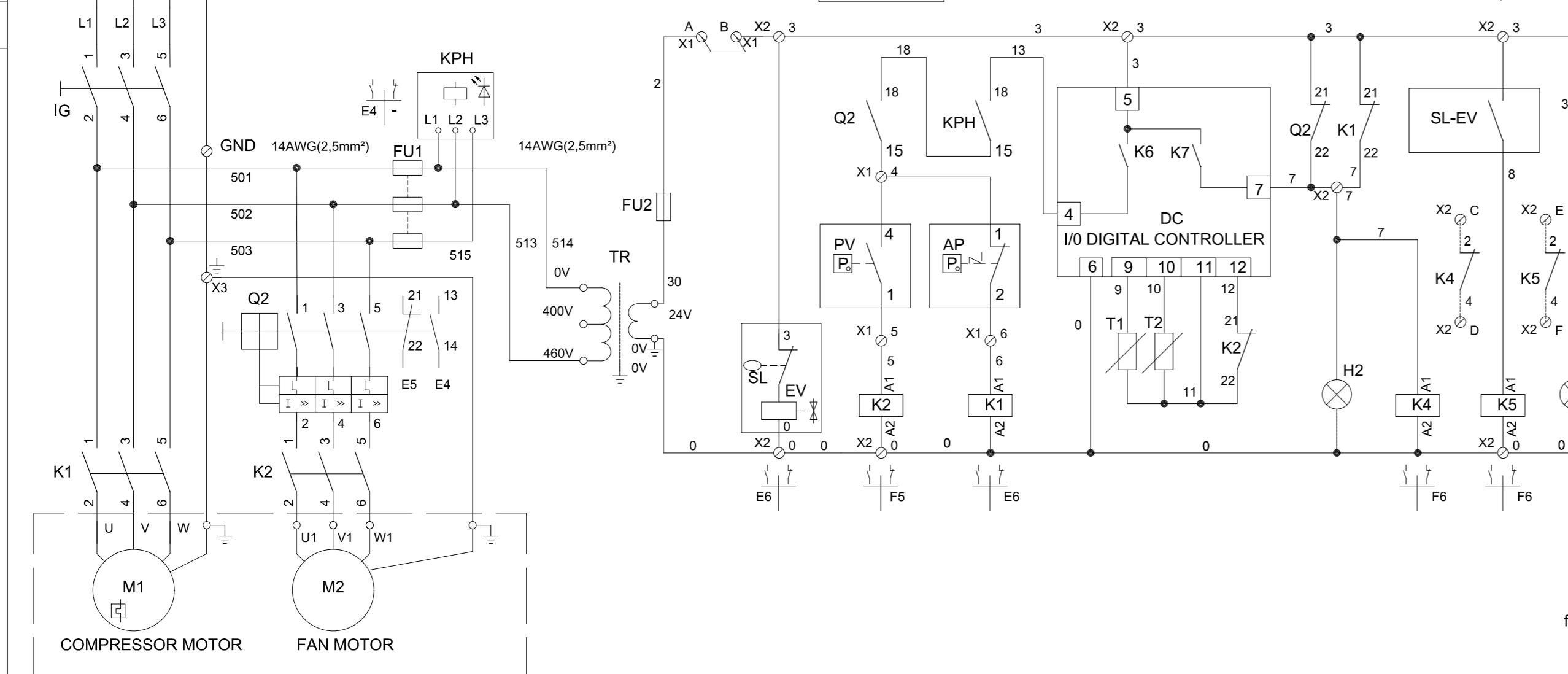


COMPULSORY INSTALLATION AT CUSTOMER CARE.

Model	FLA	Largest motor FLA	CC fuses	RK fuses
E12	5,8	4,4	15	10
E13	6,3	4,8	17,5	10

Disconnect switch (DSC) + time delay fuses (FU)

Disconnector switch ≥1.25xFLA



ID	Description	Type	Manuf.	Code	Quant.	Notes
2205043611 rev00 CUBICLE E12-13 460V RAL7040 UL						
IG	MAIN SWITCH	OT25F3	ABB	1089949843	1	
	SHAFT	OXS6X130	ABB	1089949855	1	
	HANDLE	OHYS3AH1	ABB	1089949852	1	
H1	SIGNAL LAMP 24V GREEN CURUS	33U.5		1089959612	1	loose in a plastic bag
H2	SIGNAL LAMP 24V RED CURUS	33U.5		1089959613	1	
Q2	FAN CIRCUIT BREAKER (1.4-2A)	3RV2011-1BA10 (1.4...2A)	SIEMENS	1089926727	1	
	AUX. CONTACT	3RV2901-1A	SIEMENS	1089926758	1	
	CONN. BLOCK FOR 3RV S0/S00	3RV2928-1K	SIEMENS	1089926791	1	
K1	CONTACTOR	3RT2016-1AB02	SIEMENS	1089943850	1	
K2	CONTACTOR	3RT2015-1AB02	SIEMENS	1089943844	1	
K4-K5	AUX RELAY	G2R-1-SNI 24Vac	OMRON	1089944926	2	
	AUX RELAY BASE	P2RF-05-E	OMRON	1089944933	2	
TR	TRANSFORMER	230-460/24-25V,70VA UL		2202823600	1	
FU1	FUSE	KTK-1		1089916848	3	
	FUSE HOLDER	BCH 3x38		1089959403	1	
FU2	FUSE	5x20 3A GMD-3		1089916879	1	
	FUSE HOLDER	8WA1011-1SF12		1089050616	1	
	TERMINAL	HMM.2/2+2/GR	CABUR	1088151036	5	
X1	GROUND TERMINAL	HTE.2/2+2	CABUR	1088151011	1	
	END PLATE	HMT.2/2+2/PT/GR	CABUR	1088151015	1	
	END STOP	249-116	WAGO	1088003181	1	
X2	TERMINAL	HMM.2/2+2/GR	CABUR	1088151036	8	
	END PLATE	HMT.2/2+2/PT/GR	CABUR	1088151015	1	
	END STOP	249-116	WAGO	1088003181	2	
X3	GROUND TERMINAL	HTE.2/2+2	CABUR	1088151011	1	
	END PLATE	HMT.2/2+2/PT/GR	CABUR	1088151015	1	
GND	GROUND TERMINAL	8WA1011-1PH00	SIEMENS	1089050628	1	
	CABLE GLAND (SUPPLY LINE)	M25x1,5		0698514117	2	1xloose
	NUT	M25x1,5		0697980954	2	1xloose
	CABLE GLAND (M1)	M25x1,5 STR		0698514122	1	
	NUT	M25x1,5		0697980954	1	
	CABLE GLAND (M2)	M20x1,5		0698514121	1	
	NUT	M20x1,5		0697980953	1	
	CABLE GLAND (PV, AP, SL-EV,AUX)	M16x1,5		0698514123	4	
	NUT	M16x1,5		0697980920	4	
	MULTIPL.SEALING (AUX)	2x4		0698514813	1	
	BOX	-		2202807000	1	
	PRINTED DOOR (RAL 7040)	-		2204214981	1	
	FUSES LABEL	-		2202829800	1	
	LABEL C.B. MANTEINANCE	-		2202873105	1	
POR	SEAL	8x8		2204212701	2m	
KPH	PHASE SEQUENCE RELAY	DPA 51 C M44	GAVAZZI	1089957516	1	
AP	CAP	926 683-3	TYCO	1088001523	1	
	SOCKET	AMP 926 893-1	TYCO	1088001534	2	
SL-EV	CABLE ASSY FOR SL-EV	XZ CP114L1L2 (L=2m)	TELEMECANIQUE	1088002120	1	
GVS1	INSULATION FOR TERMINAL	GVS12KV1.5	ELEKTROZUBERHOR	--	1	L=50 mm
GVS2	INSULATION FOR TERMINAL	GVS12KV1.5	ELEKTROZUBERHOR	--	3	L=2x35mm + 1x25mm
	PROBE KIT + WIRING	-		2205041651	1	
X5	CONNECTOR	63N040	CS	1089003857	1	
	GLOSSARY	-		2200772335	1	
	SERVICE DIAGRAM	A3 FORMAT		2205043610	2	

2205043612 rev00 CUBICLE E12-13 460V RAL7021UL: same as 2205043611 with following differences:

PRINTED DOOR (RAL 7021)	-	2204214983	1
-------------------------	---	------------	---

2205043613 rev00 CUBICLE E12-13 460V RAL7021F UL: same as 2205043611 with following differences:

PRINTED DOOR (RAL 7021F)	-	2204214985	1
--------------------------	---	------------	---

2205043614 rev00 CUBICLE E12-13 460V RAL7011 UL: same as 2205043611 with following differences:

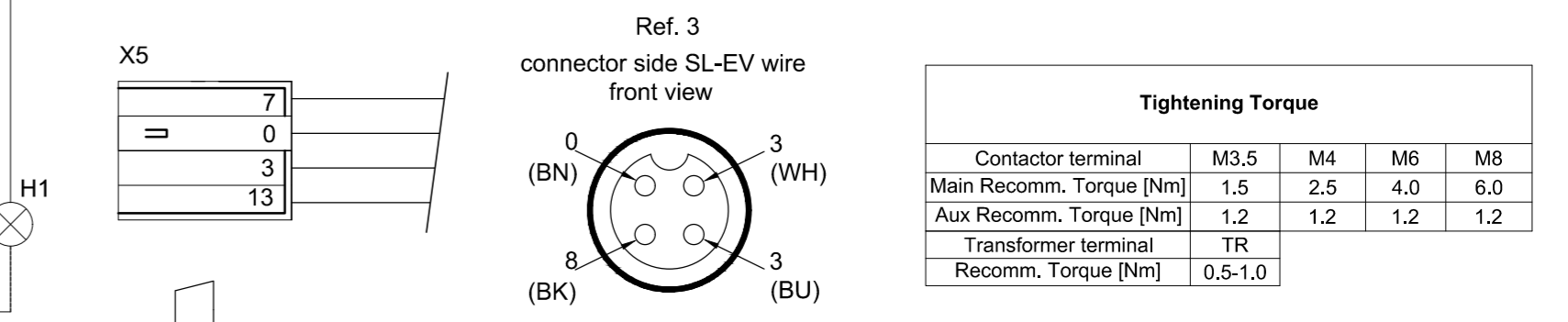
PRINTED DOOR (RAL 7011)	-	2204214982	1
-------------------------	---	------------	---

2205043615 rev00 CUBICLE E12-13 460V RAL5002 UL: same as 2205043611 with following differences:

PRINTED DOOR (RAL 5002)	-	2204214986	1
-------------------------	---	------------	---

2205043616 rev01 CUBICLE E12-13 460V RAL7035 UL: same as 2205043611 with following differences:

PRINTED DOOR (RAL 7035)	-	2204214987	1
-------------------------	---	------------	---



Name		SERVICE DIAGRAM		E12-13 460/60 UL FC		Confidentiality class acc. to 1102 K	
Material		See Drawing		Internal		ACDE	
Treatment		Not Applicable					
Scale		-		Family		Compare	
Drawn by				Blank nr.		Replaces	
Drawing format 02.00		Blank wt.		Kg		Fini wt.	
Des checked.		Prod checked.		Approved.		Date	
20/02/2020						2205043610	

CONFIDENTIAL: This document is property of ABB and shall not be used for any other person or company.

Note	Position	Modified from	Date	Intr./Appd.
03		Title block updated & DN 220541 17 and CID28208	04-04-2022	

All materials supplied are in compliance with the requirements of the List of Prohibited Substances

Parent 3D Model

Ed.Version 3D

Approved Internal

Sheet () 01 01