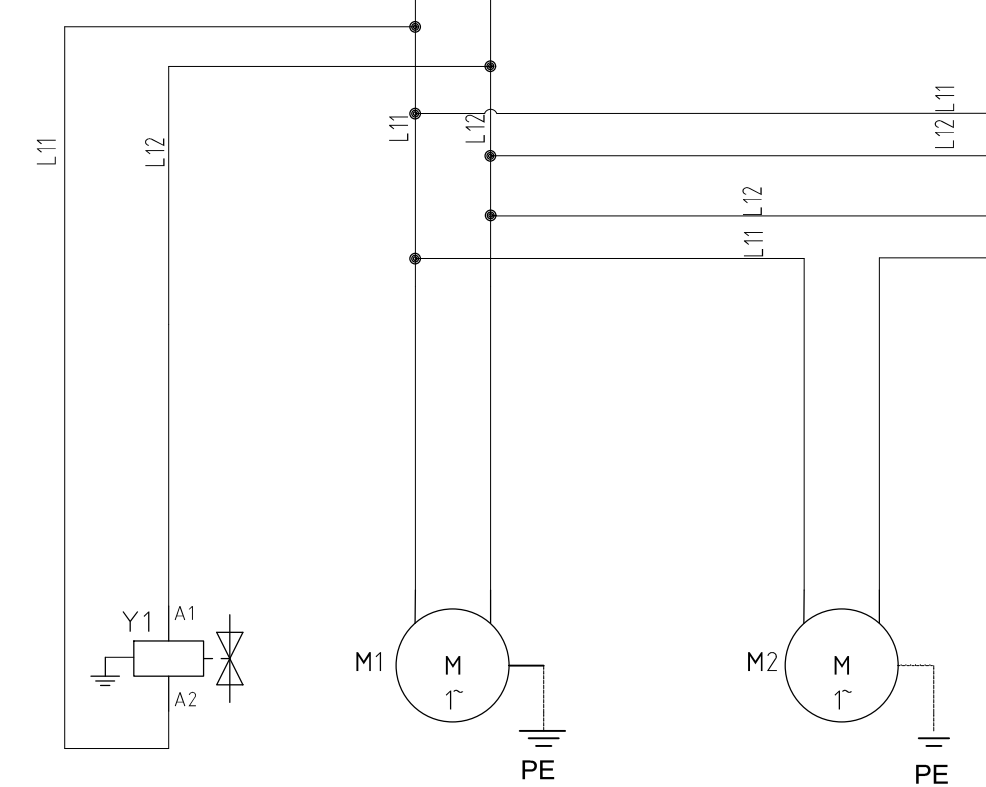
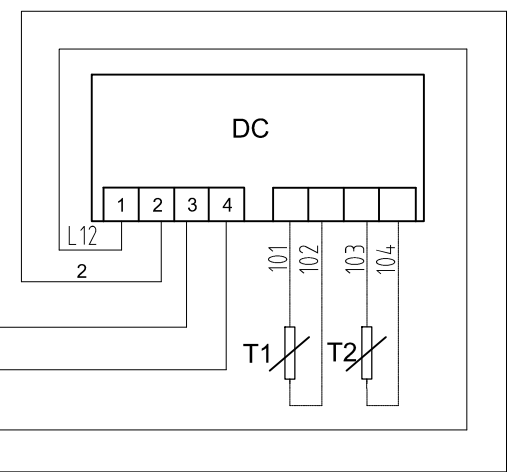
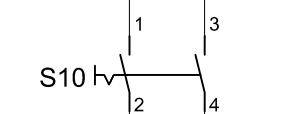
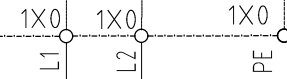
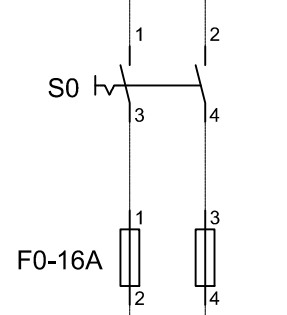
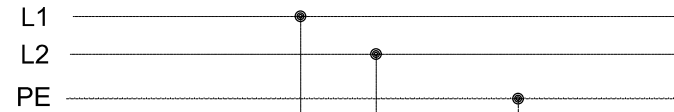


COMPULSORY INSTALLATION AT CUSTOMER CARE.

FUSES + DISCONNECTOR SWITCH

Model: X10/F6-11

Fuse 4A



TAG NAME	DESCRIPTION
S10	DISCONNECTING SWITCH
M1	COMPRESSOR MOTOR
M2	FAN MOTOR
Y1	DRAIN SOLENOID VALVE
C	STARTING CAPACITOR
S0	MAIN SWITCH
F0	MAIN FUSE
DC	CONTROLLER
T1	TEMPERATURE SENSOR NTC (ROOM)
T2	TEMPERATURE SENSOR NTC (DIG.INPUT)

Name		SERVICE DIAGRAM		DXR15-21A		Confidentiality Class		1102 K/ Internal			
Material		Not Applicable				ACDE					
Treatment		Not Applicable									
Scale		1:1		Family		Not Applicable		A3		Compare	
Drawn by				Blank nr.		Not Applicable				Replaces	
Drawing Format		01		Blank wt.		N/A		Kg		Fini wt. 0 Kg	
STATUS		Approved Internal		Des checked.		Prod checked.		Approved.		Date	
										2021-07-11 7:32:55	
Note		Position		Modified from		Date		Intr./Appd.		Parent 3D Model	
										Ed.Version 3D	
										Sheet 01 (01)	
										9843040911	

A  
B  
C  
D  
E  
F  
G