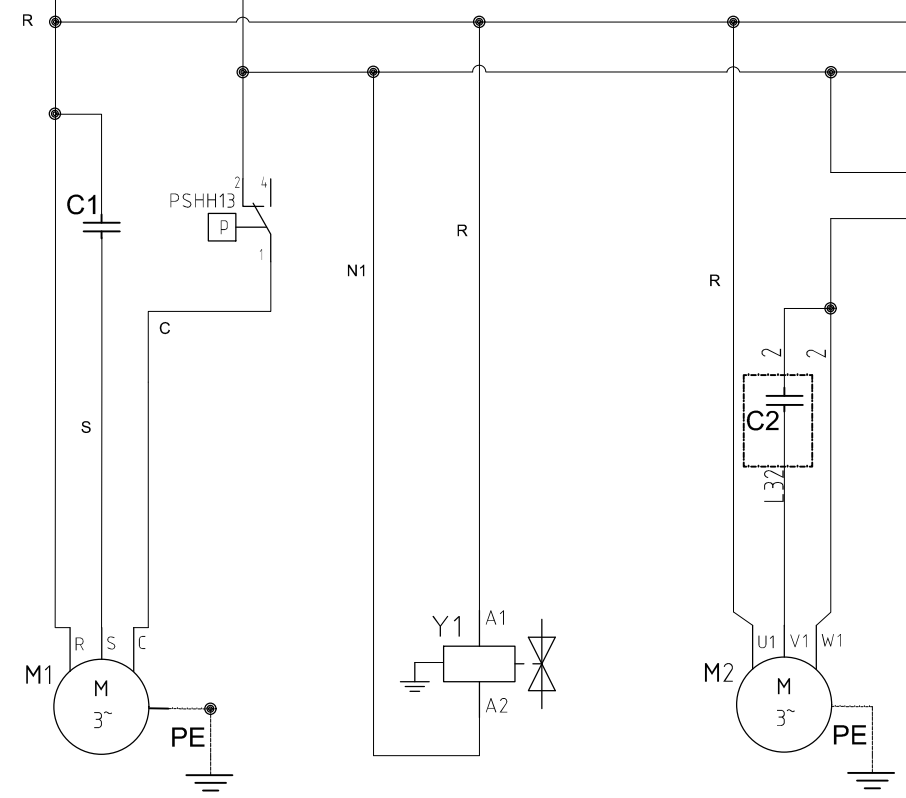
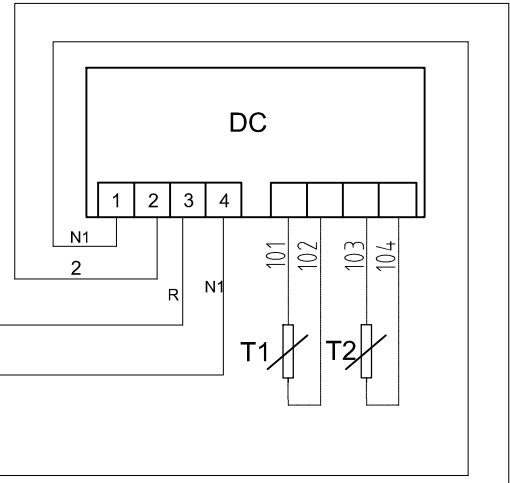
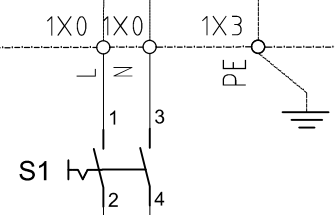
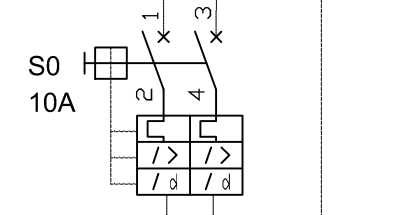


CUSTOMER INSTALLATION

L1
L2
PE

SUPPLY CABLE 3G 2.5MM2



TAG NAME	DESCRIPTION
T3	TIMER SWITCH
Y1	DRAIN SOLENOID VALVE
S1	DISCONNECTING SWITCH
DC	DIGITAL CONTROLLER
M1	COMPRESSOR MOTOR
M2	FAN MOTOR
C1	RUN CAPACITOR
C2	FAN CAPACITOR
T1	TEMPERATURE SENSOR NTC (ROOM)
T2	TEMPERATURE SENSOR NTC (DIG.INPUT)
PSHH13	HIGH PRESSURE SWITCH
S0	MAIN DISCONNECTING SWITCH

Notes:
1.X40 No fan capacitor
1.X40无风扇电容

Name		SERVICE DIAGRAM		DXR36-96A		Confidentiality Class		1102 K/ Internal	
Material		Not Applicable				ACDE			
Treatment		Not Applicable						Drawing Owner Transferred from COX	
Scale		1:1		Family		Not Applicable		A3	
Drawn by				Blank nr.		Not Applicable		Replaces	
Drawing Format		01		Blank wt.		N/A		Kg	
STATUS		Des checked.		Prod checked.		Approved.		Date	
Approved Internal								2021-07-11 7:32:56	
								Designation	
								Sheet 01 (01)	
								9843040912	

01	01	update drawing				Not Applicable	Not Applicable
Note	Position	Modified from	Date	Intr./Appd.	Parent 3D Model	Ed.Version 3D	