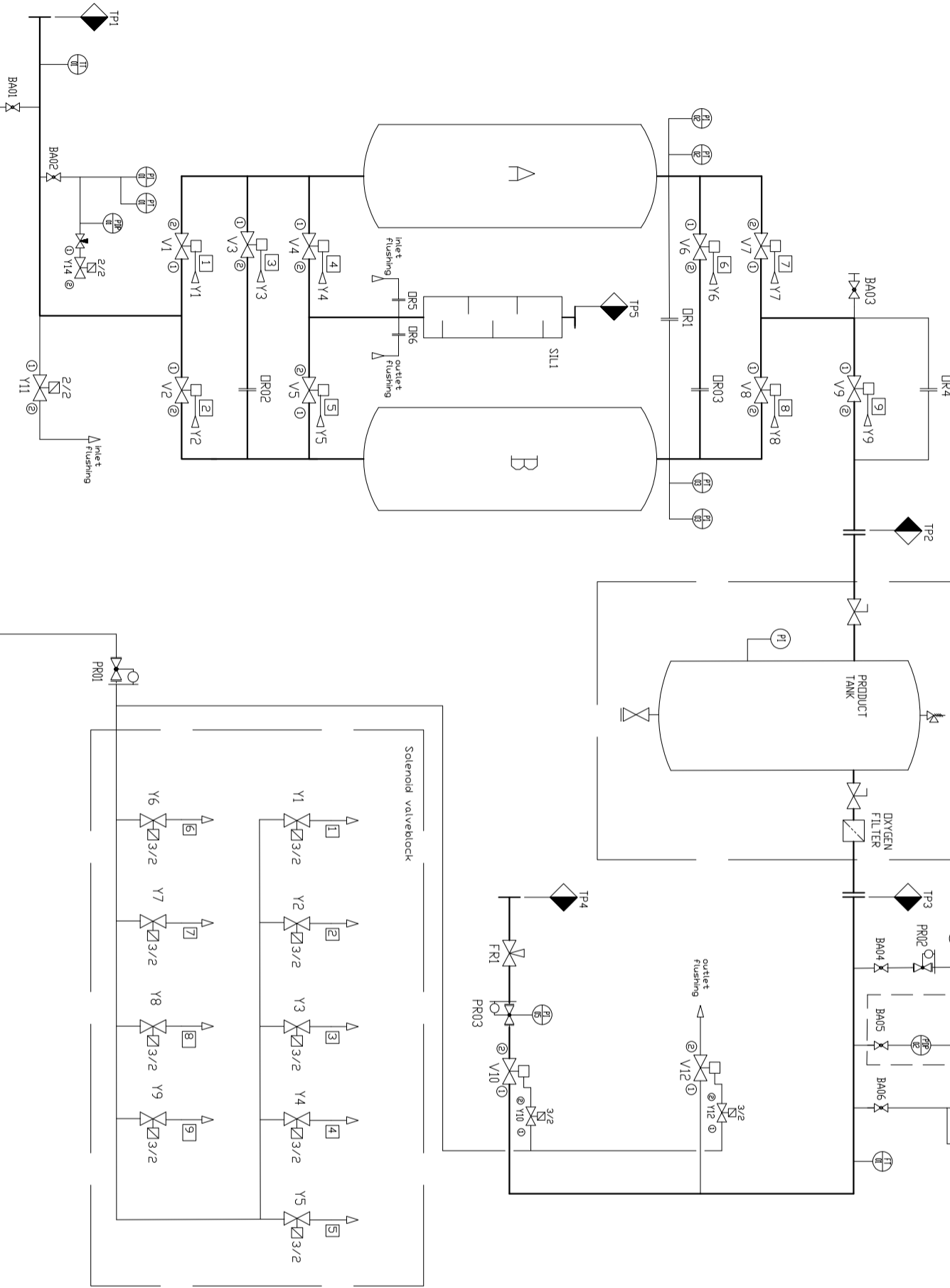
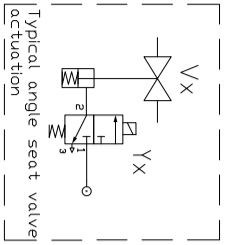


CONFIDENTIAL:

This document is our property and shall not without our permission be altered, copied, used for manufacturing or communicated to any other person or company.



FLOW DIAGRAM
DGX110-1070

- hardware
 - A ADSORBER A
 - B ADSORBER B
 - SIL1 BLDW DFF SILENCER
 - V1 INLET TRANSFER VALVE A
 - V2 INLET TRANSFER VALVE B
 - V3 BOTTOM EQUALISATION VALVE
 - V4 BLDW DFF VALVE A
 - V5 BLDW DFF VALVE B
 - V6 TOP EQUALISATION VALVE
 - V7 OUTLET TRANSFER VALVE A
 - V8 OUTLET TRANSFER VALVE B
 - V9 MINIMUM PRESSURE VALVE
 - V10 CONSUMER VALVE
 - V11 INLET FLUSHING SOLENOID
 - V12 OUTLET FLUSHING VALVE
 - FR1 MANUAL FLOW REGULATING VALVE
 - PR01 PILOT AIR PRESSURE REGULATOR
 - PR02 OXYGEN SENSOR PRESSURE REGULATOR
 - PR03 OUTLET PRESSURE REGULATOR
- orifices
 - DR1 REGENERATION PURGE NOZZLE
 - DR2 BOTTOM EQUALISATION NOZZLE
 - DR3 TOP EQUALISATION NOZZLE
 - DR4 STARTUP NOZZLE
 - DR5 INLET FLUSHING NOZZLE
 - DR6 OUTLET FLUSHING NOZZLE
- sensors
 - PT01 INLET PRESSURE TRANSMITTER
 - PT02 ADSORBER A PRESSURE TRANSMITTER
 - PT03 ADSORBER B PRESSURE TRANSMITTER
 - PT04 OUTLET PRESSURE TRANSMITTER
 - PJP01 INLET PRESSURE DEWPOINT
 - PJP02 OUTLET PRESSURE DEWPOINT (OPTIND)
 - TT01 INLET TEMPERATURE TRANSMITTER
 - DT01 OXYGEN ANALYSER D2 RECEIVER
 - FT01 OUTLET FLOW TRANSMITTER
- ball valves
 - BA01 PILOT AIR
 - BA02 INLET PDP- AND PRESSURE TRANSMITTER
 - BA03 ADSORBER OXYGEN LEVEL SAMPLE LINE
 - BA04 OXYGEN SENSOR
 - BA05 OUTLET PDP (OPTIND)
 - BA06 OUTLET PRESSURE TRANSMITTER

All materials supplied are in compliance with the requirements of the List of Prohibited Substances

BATTERY LIMITS	
TP1	AIR INLET
TP2	TO PRODUCT TANK
TP3	FROM PRODUCT TANK
TP4	GAS OUTLET
TP5	WASTE EXHAUST

Tolerances, if not indicated according to:		STANDARD Class	
Name		DIAGRAM FLOW OGX110-1070	
Material		Not Applicable	
Treatment		Not Applicable	
Scale	-/-	Family	A3
Drawn by	INEBM	Blank nr.	
Version Dwg		Kg	
Des checked		Finl wt.	
Prod checked		Approved	Date 7/26/2022
DESIGNATION		9828530064-01	

1	Position	Modified from	Date	10/17/2022	Int./Appd.	INEBM	Patent 3D Model	Ed. Version 3D
<p>Released</p>								