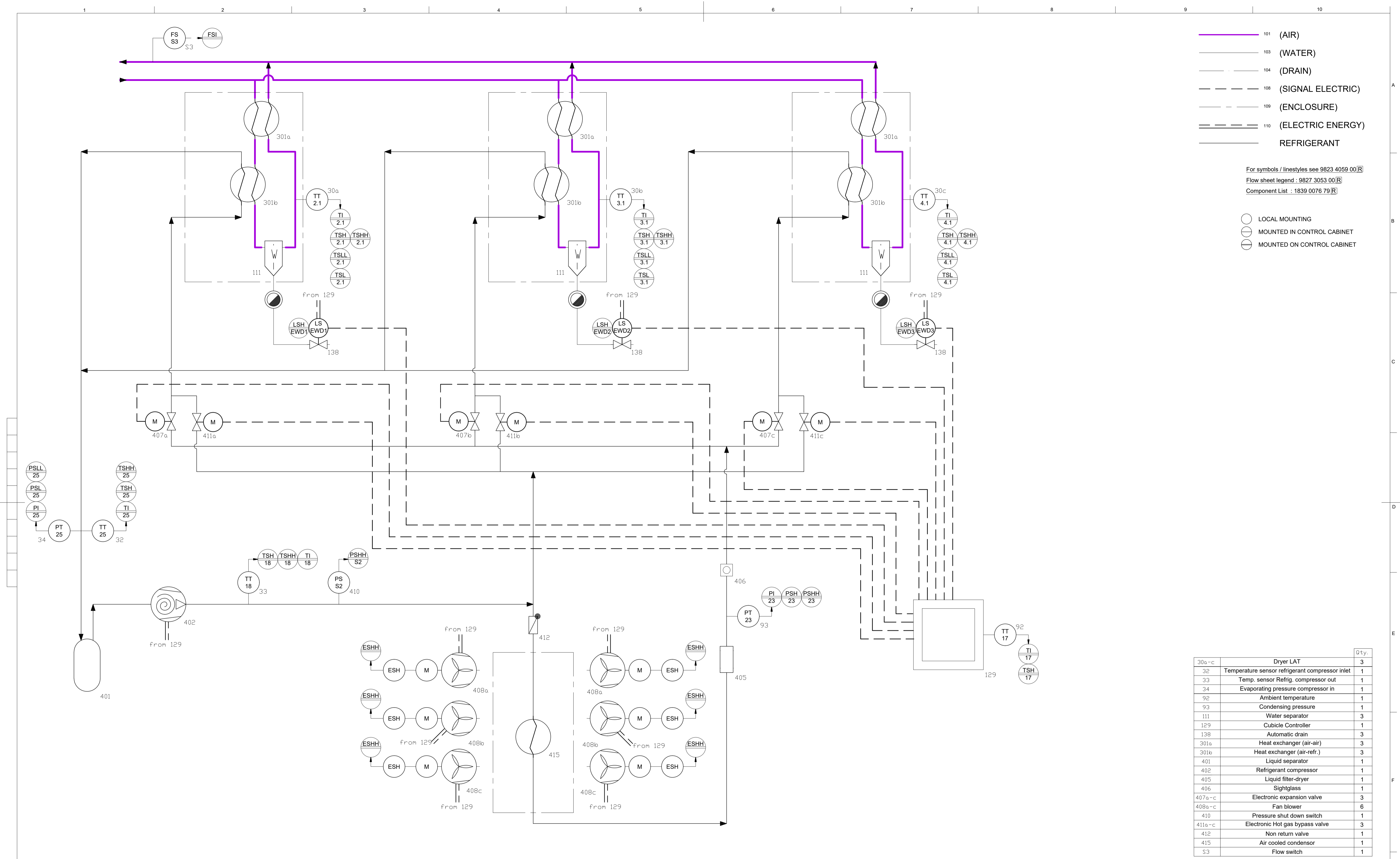


- 101 (AIR)
- 103 (WATER)
- 104 (DRAIN)
- - - 108 (SIGNAL ELECTRIC)
- - - 109 (ENCLOSURE)
- ==== 110 (ELECTRIC ENERGY)
- REFRIGERANT

For symbols / linestyles see 9823 4059 00[R]
 Flow sheet legend : 9827 3053 00[R]
 Component List : 1839 0076 79[R]

- LOCAL MOUNTING
- MOUNTED IN CONTROL CABINET
- MOUNTED ON CONTROL CABINET



Code	Description	Qty.
30a-c	Dryer LAT	3
32	Temperature sensor refrigerant compressor inlet	1
33	Temp. sensor Refrig. compressor out	1
34	Evaporating pressure compressor in	1
92	Ambient temperature	1
93	Condensing pressure	1
111	Water separator	3
129	Cubicle Controller	1
138	Automatic drain	3
301a	Heat exchanger (air-air)	3
301b	Heat exchanger (air-refr.)	3
401	Liquid separator	1
402	Refrigerant compressor	1
405	Liquid filter-dryer	1
406	Sightglass	1
407a-c	Electronic expansion valve	3
408a-c	Fan blower	6
410	Pressure shut down switch	1
411a-c	Electronic Hot gas bypass valve	3
412	Non return valve	1
415	Air cooled condensor	1
S3	Flow switch	1

All materials supplied are in compliance with the requirements of the List of Prohibited Substances

STANDARD CLASS		Name		FLOW DIAGRAM		VDR6350 AIRCOOLED		Confidentiality Class		Internal	
Material		NOT APPLICABLE		Treatment		NOT APPLICABLE		ACD		Drawing owner	
Scale		NTS		Family		A1		Compare		APF	
Drawn by		INEMSI		Blank nr.		Replaces		Designation		Sheet () 01 01	
Version Draw		Blank wt.		Kg		Fini wt.		Kg		Date	
Parent 3D Model		Ed. Version 3D		RELEASED		Des checked:		Prod checked:		Approved:	
										12/4/2021	
										1839007676-01	

CONFIDENTIAL: This document is the property of INEMSI and shall not be distributed or otherwise made available to third parties without the prior written consent of INEMSI.

Note	Post. Son	Modified from	Date	Intr./Appd.
1			2/25/2022	