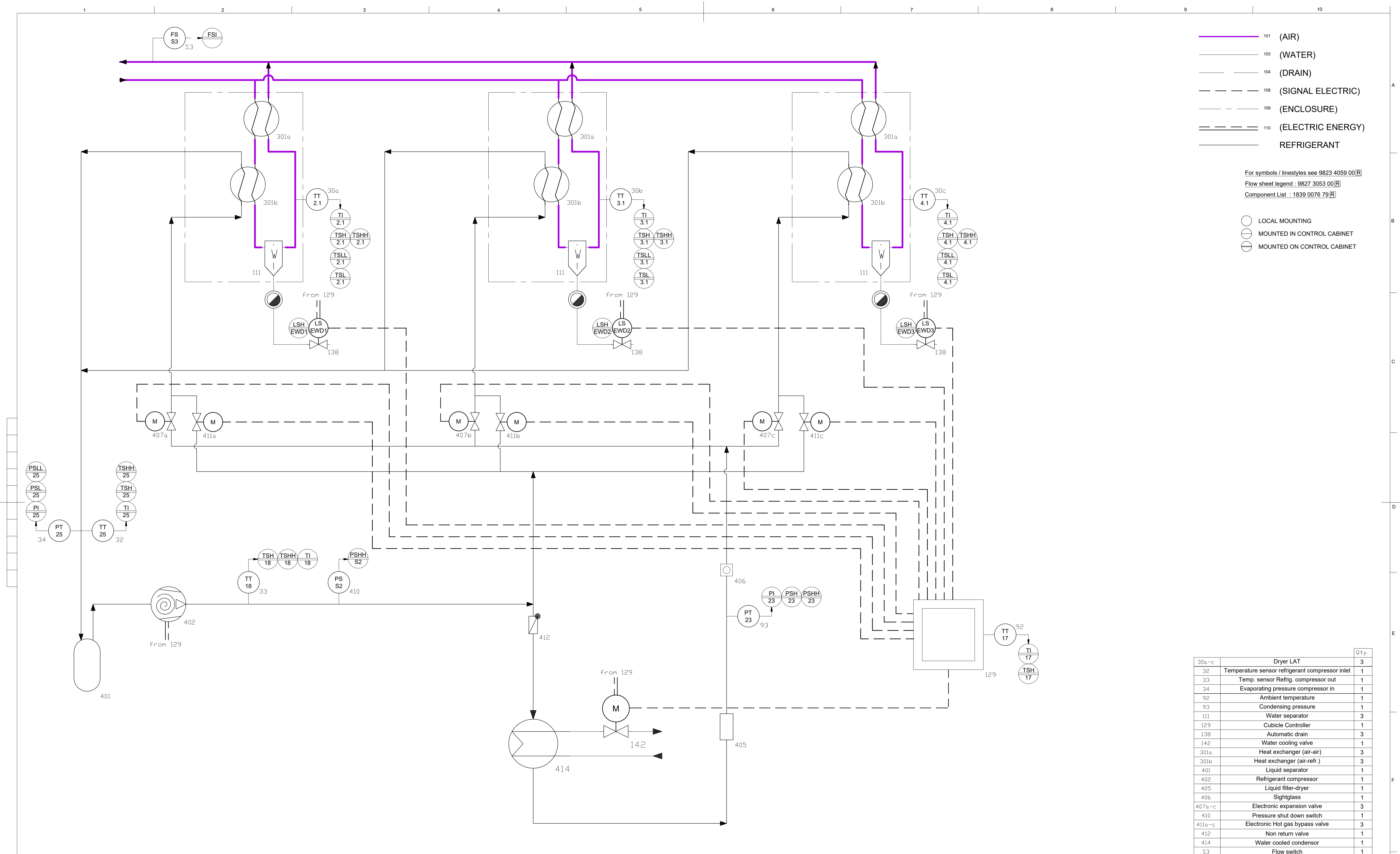


- 101 (AIR)
- 103 (WATER)
- 104 (DRAIN)
- - - 108 (SIGNAL ELECTRIC)
- - - 109 (ENCLOSURE)
- == 110 (ELECTRIC ENERGY)
- REFRIGERANT

For symbols / linestyles see 9823 4059 00[R]
 Flow sheet legend : 9827 3053 00[R]
 Component List : 1839 0076 79[R]

- LOCAL MOUNTING
- ⊖ MOUNTED IN CONTROL CABINET
- ⊕ MOUNTED ON CONTROL CABINET



Symbol	Description	Qty.
30a-c	Dryer LAT	3
32	Temperature sensor refrigerant compressor inlet	1
33	Temp. sensor Refrig. compressor out	1
34	Evaporating pressure compressor in	1
92	Ambient temperature	1
93	Condensing pressure	1
111	Water separator	3
129	Cubicle Controller	1
138	Automatic drain	3
142	Water cooling valve	1
301a	Heat exchanger (air-air)	3
301b	Heat exchanger (air-refr.)	3
401	Liquid separator	1
402	Refrigerant compressor	1
405	Liquid filter-dryer	1
406	Sightglass	1
407a-c	Electronic expansion valve	3
410	Pressure shut down switch	1
411a-c	Electronic Hot gas bypass valve	3
412	Non return valve	1
414	Water cooled condensor	1
S3	Flow switch	1

All materials supplied are in compliance with the requirements of the List of Prohibited Substances

Tolerances if not indicated, according to:

STANDARD CLASS		Confidentiality Class acc. to 1102K	
Name	FLOW DIAGRAM	VDR6350 WATERCOOLED	
Material	NOT APPLICABLE	Internal	
Treatment	NOT APPLICABLE	ACD	
Scale	NTS	Family	A1 Compare
Drawn by	INEMSI	Blank nr.	Replaces
Version Draw		Blank wt.	Designation
status		Kg	Fini wt.
Parent 3D Model	Ed. Version 3D	Kg	
RELEASED	Des. checked:	Prod. checked:	Approved:
	Date	12/4/2021	Sheet () 01 01

1839007677-01

CONFIDENTIAL: This document is the property of Ingersoll Rand and is not to be distributed or reproduced without the written consent of Ingersoll Rand. The information contained herein is confidential and proprietary to Ingersoll Rand.

1	Post. Son	Modified from	Date	Intr./Appd.
			2/25/2022	