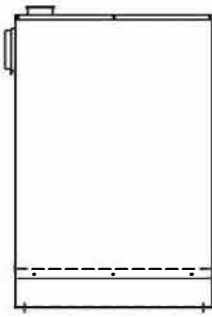
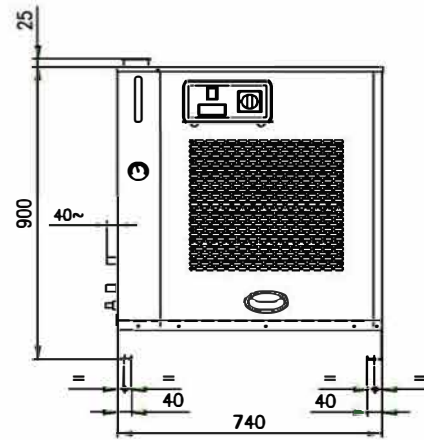


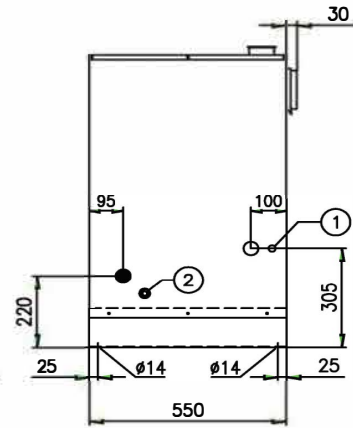
BACK VIEW



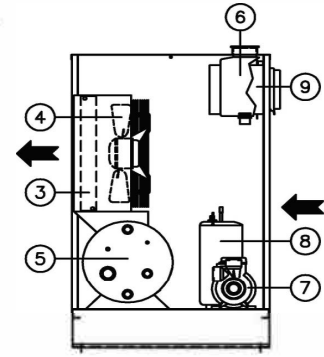
SIDE VIEW



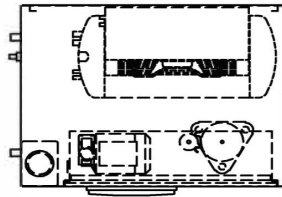
FRONT VIEW



SIDE VIEW



CROSS SECTION



TOP VIEW



CONDENSER AIR FLOW

● WATER INLET – NPT F.

○ WATER OUTLET – NPT F.

① POWER SUPPLY

② WATER DISCHARGE

③ AIRCOOLED CONDENSER

④ AXIAL FAN

⑤ EVAPORATOR / TANK

⑥ TANK

⑦ PUMP

⑧ ROTARY COMPRESSOR

⑨ ELECTRICAL BOARD

| MODEL | ● | ○ |
|-------------|------|------|
| NCS 0002 US | 1/2" | 1/2" |
| NCS 0004 US | 1/2" | 1/2" |
| NCS 0006 US | 1/2" | 1/2" |

nano

Scale

Drawing No : 15501090/001/C

Dimensional Series: NCS 0002 - 0006 US

Valid For:

15501100/001/C – 15501105/001/C