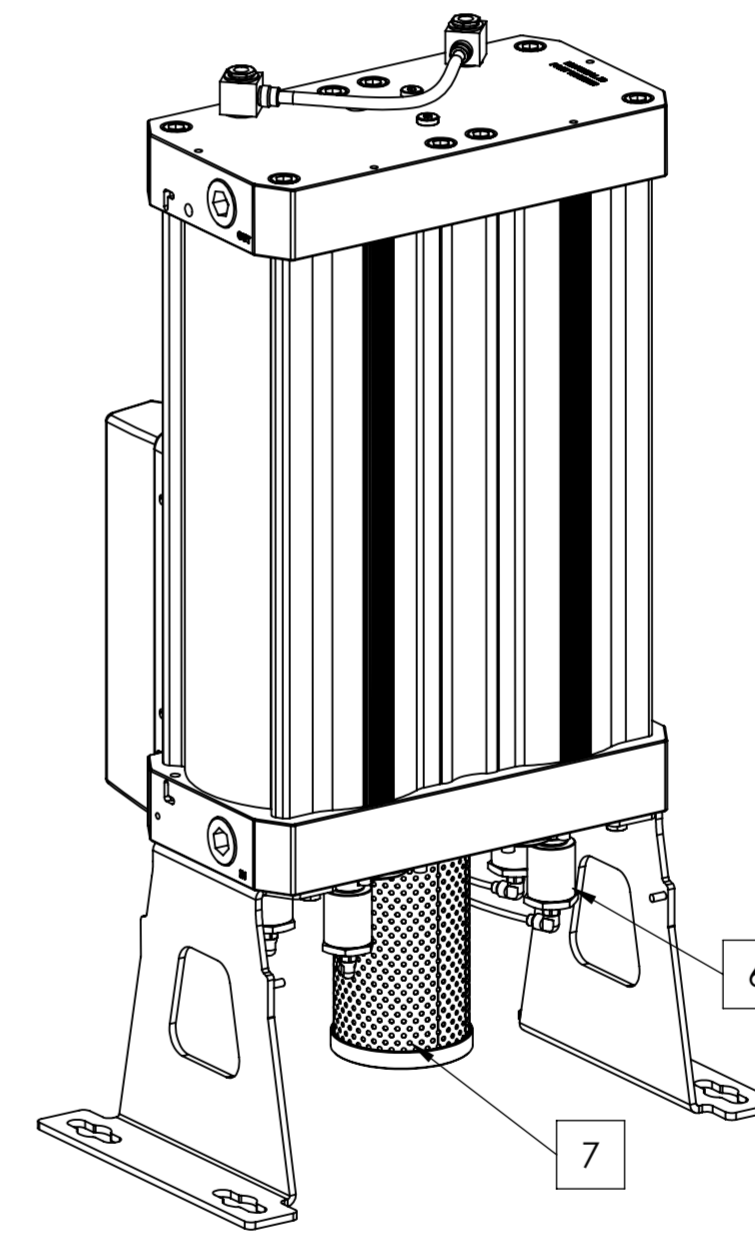
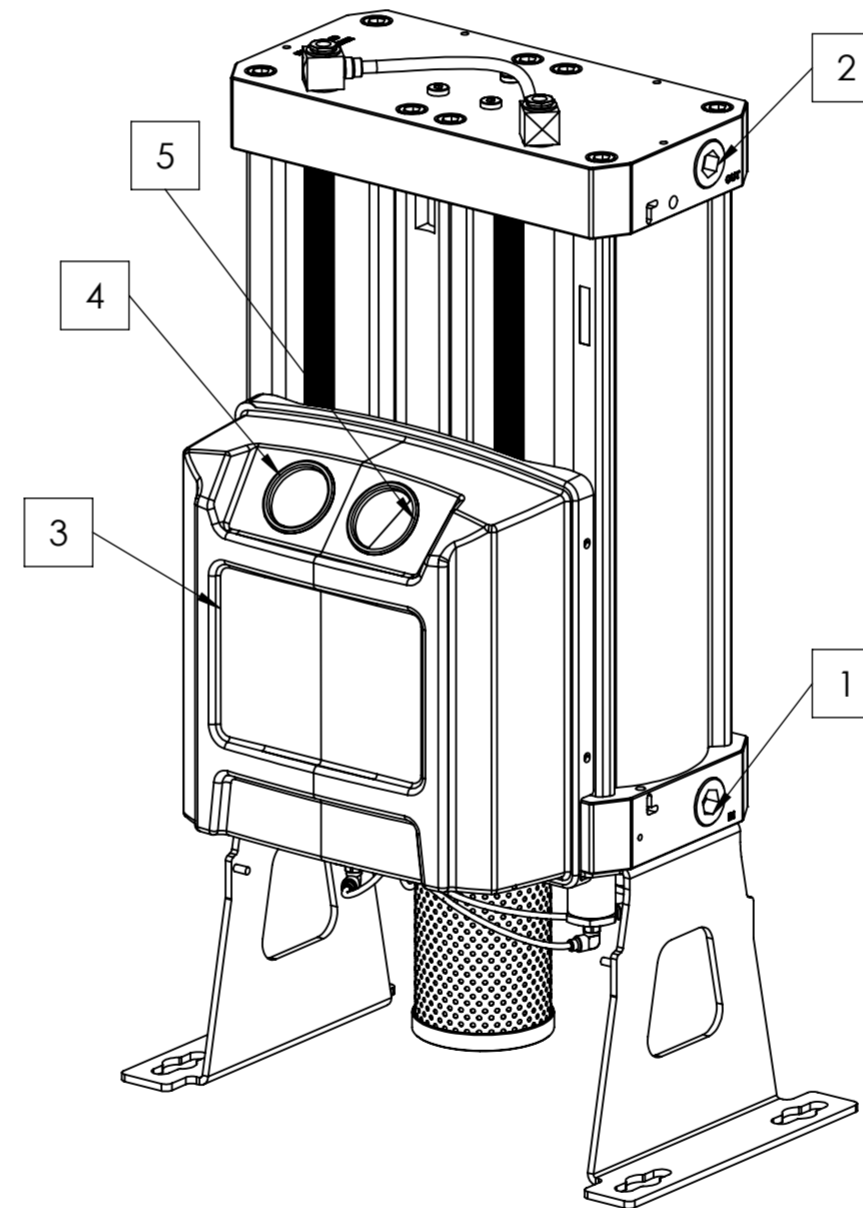
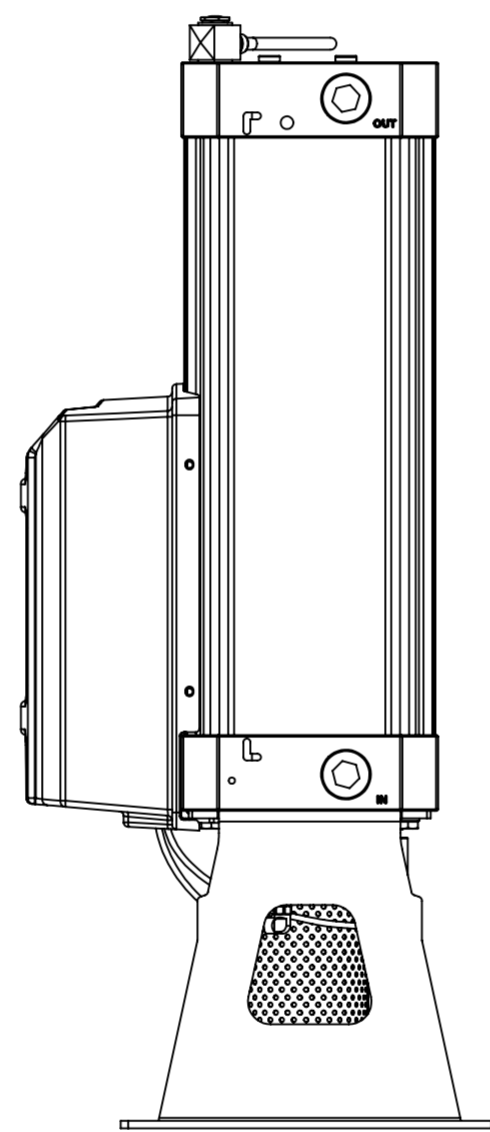


| MODEL | PORT SIZES | DIMENSION MM (INCHES) | WEIGHT |
|-------------|------------|-----------------------|-----------|
| | BSP (NPT) | A | KG (LBS) |
| NDM-060-PNU | G1" (1") | 734.75 (29) | 40 (88) |
| NDM-070-PNU | | 915.50 (36) | 54 (119) |
| NDM-080-PNU | | 1090.50 (43) | 64 (141) |
| NDM-090-PNU | | 1240.50 (59) | 76 (167) |
| NDM-100-PNU | | 1489.40 (49) | 91 (200) |
| NDM-110-PNU | | 1839.75 (72) | 112 (247) |
| NDM-120-PNU | | | |
| NDM-130-PNU | | | |



| SPECIFICATION | |
|------------------------------------|--|
| ISO 8573 - 1: 2001 QUALITY CLASSES | CLASS 2: DIRT: 1µ CLASS 2: WATER: -40°C (-40°F) PDP |
| MINIMUM WORKING PRESSURE | 6 barg (87 psig) |
| MAXIMUM WORKING PRESSURE | 16 barg (232 psig) |
| MINIMUM INLET TEMPERATURE | +1.5°C (35°F) |
| MAXIMUM INLET TEMPERATURE | 50°C (122°F) |

| ITEM NUMBER | ITEM DESCRIPTION |
|-------------|---------------------------|
| 1 | COMPRESSED AIR INLET |
| 2 | COMPRESSE AIR OUTLET |
| 3 | CONTROL BOX |
| 4 | COLUMN 'A' PRESSURE GAUGE |
| 5 | COLUMN 'B' PRESSURE GAUGE |
| 6 | PILOT VALVE [x4] |
| 7 | EXHAUST SILENCER |

| REVISIONS | | |
|-----------|------------------|------------|
| REV. | DESCRIPTION | DATE |
| C-00 | INITIAL REVISION | 28/09/2022 |

NOTES:
SEE SPECIFICATION TABLE

GENERAL TOLERANCES UNLESS OTHERWISE STATED:
X ± 0.5mm | X.X ± 0.25mm | X.XX ± 0.1mm
ANGLES ± 0.5°

| | DRAWN | CHECKED | APPROVED |
|------|---------|---------|----------|
| NAME | CK | IC | JP |
| DATE | 22/9/22 | 22/9/22 | 22/9/22 |

nano-purification solutions limited
www.n-psi.co.uk

© NANO-PURIFICATION SOLUTIONS LTD 2022. THE ORIGINAL OF THIS DRAWING IS COPYRIGHT AND CONTAINS CONFIDENTIAL INFORMATION. IT IS THE PROPERTY OF NANO-PURIFICATION SOLUTIONS LTD. WITHOUT PERMISSION IT MAY NOT BE COPIED, SHOWN OR HANDLED TO A THIRD PARTY OR OTHERWISE USED AND IT IS TO BE RETURNED PROMPTLY UPON REQUEST TO NANO-PURIFICATION SOLUTIONS LTD.

| | | | |
|----------------------|-----------------------------------|--------------|-------------|
| MATERIAL: | SEE DETAILS | WEIGHT (KG): | SEE DETAILS |
| FINISH: | SEE DETAILS | | |
| TITLE: | SERIES 2 PNU COMPRESSED AIR DRYER | | |
| DWG NO.: | PD-0068 | REVISION: | C-00 |
| SCALE - 1:5 | | SHEET | SHEET SIZE |
| DO NOT SCALE DRAWING | | 1 of 1 | A2 |