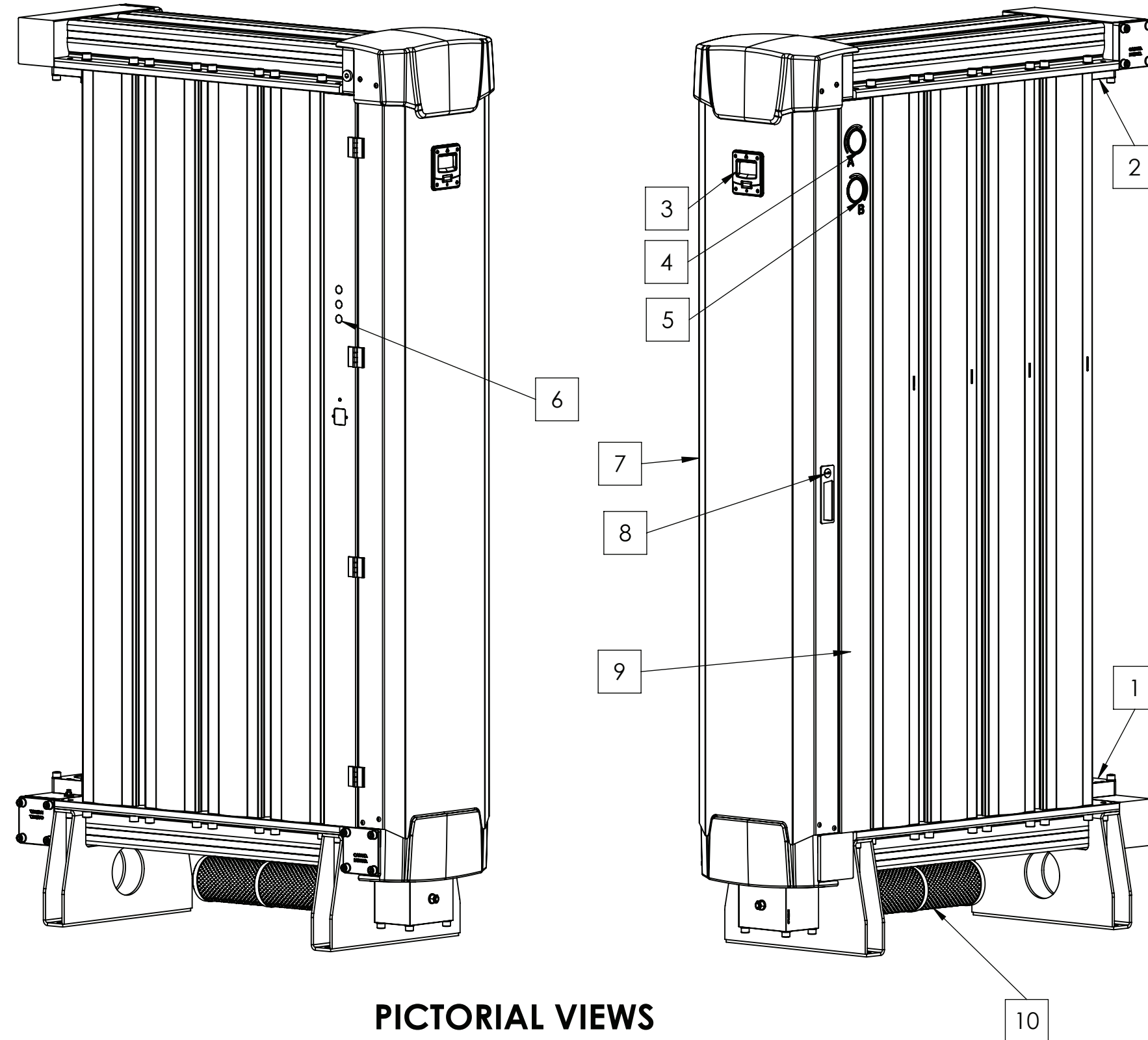
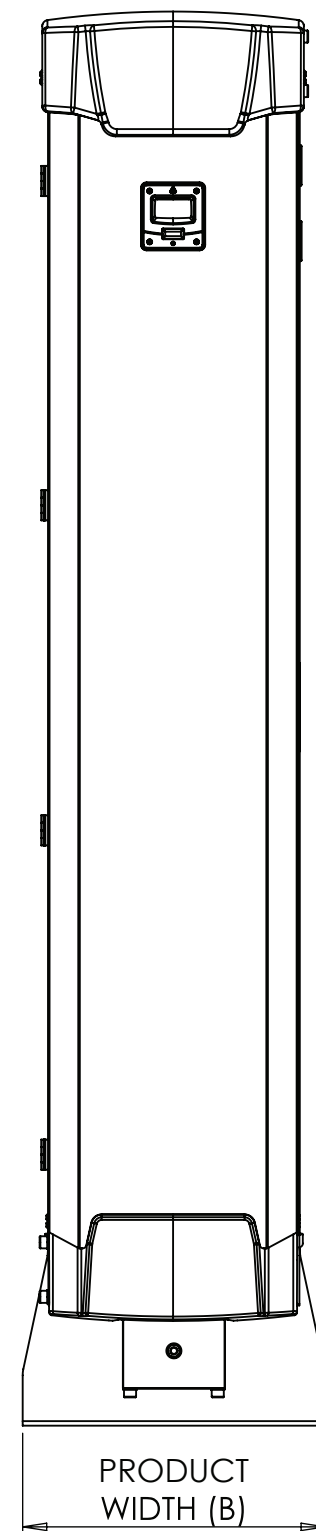
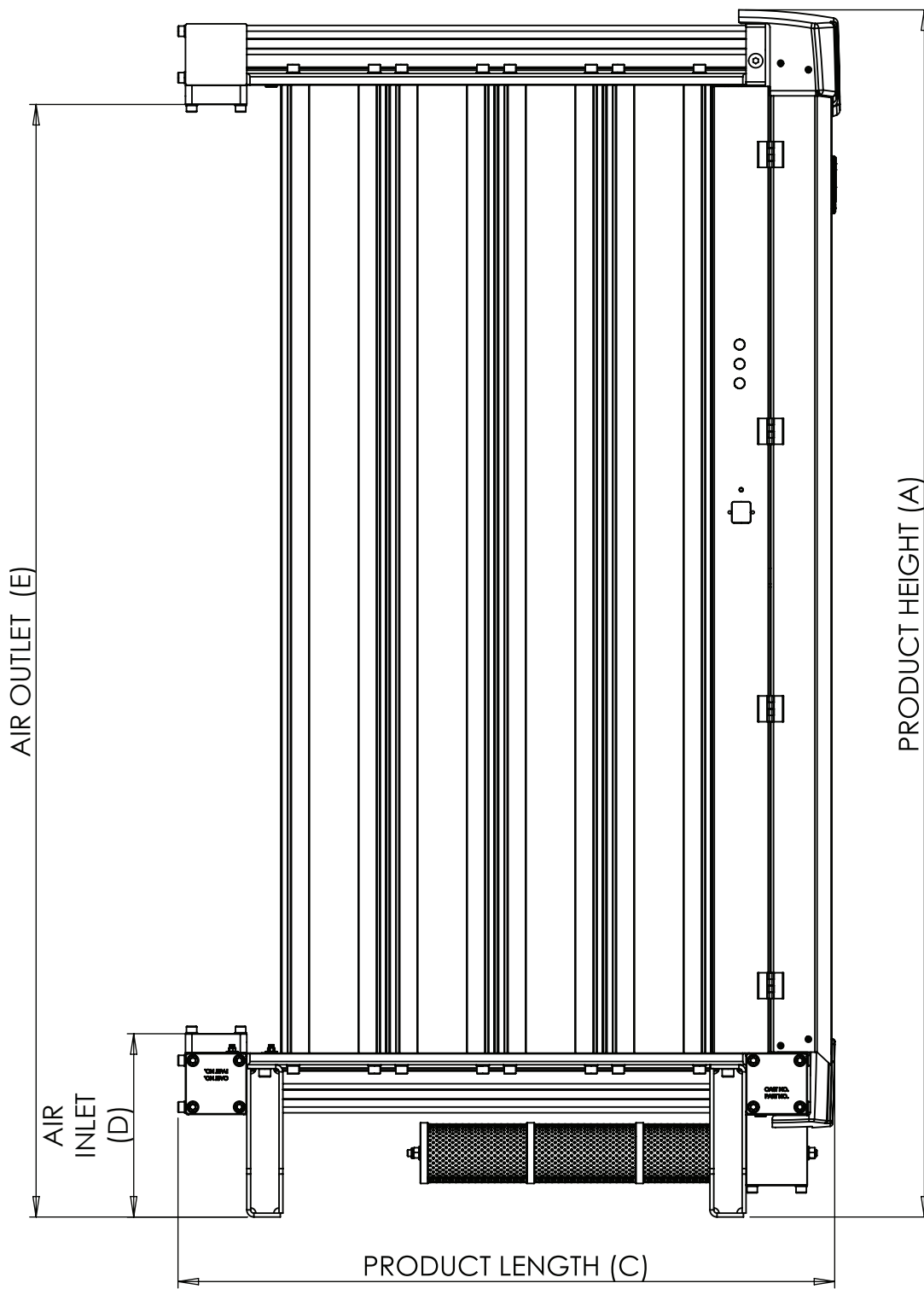
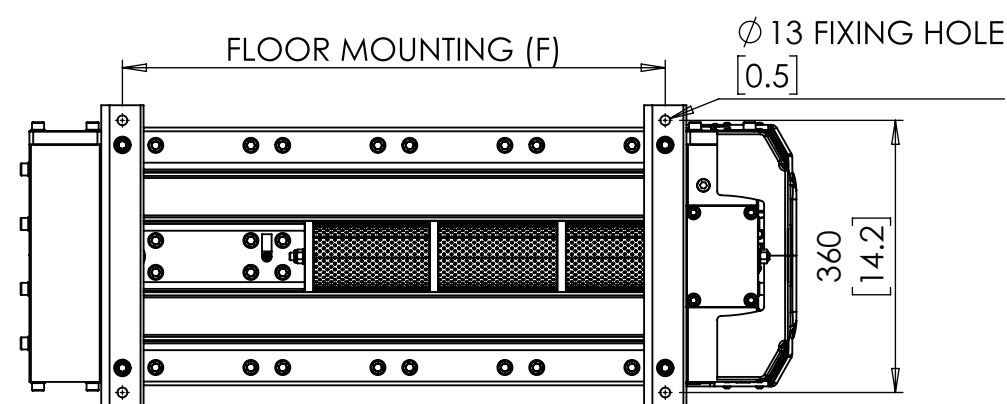


Model	Connection BSPP (NPT)	Dimension												APPROX WEIGHT		SILENCER CORES
		A		B		C		D		E		F		kg	lb	QTY
		Product Height		Product Width		Product Length		Air Inlet		Air Outlet		Floor Mounting				
mm	inches	mm	inches	mm	inches	mm	inches	mm	inches	mm	inches					
NDL-2110	2" (2")	1271	50.0	400	15.7	682	26.85	284	11.18	1124	44.25	382	15.03	97	214	2
NDL-2120	2" (2")	1521	59.9			682	26.85	284	11.18	1374	54.09	382	15.03	179	394	2
NDL-2130	2" (2")	1871	73.66			682	26.85	284	11.18	1724	67.87	382	15.03	261	575	2
NDL-3130	2" (2")	1871	73.66			850	33.42	284	11.18	1724	67.87	550	21.65	249	548	2
NDL-4130	2.5" (2.5")	1871	73.66			1018	40.03	284	11.18	1724	67.87	718	28.26	331	729	3
NDL-6120	2.5" (2.5")	1521	59.9			1354	53.22	284	11.18	1374	54.09	1054	41.49	439	967	3
NDL-6130	2.5" (2.5")	1871	73.66			1354	53.22	284	11.18	1724	67.87	1054	41.49	623	1373	4



PICTORIAL VIEWS



ITEM NUMBER	DESCRIPTION	CALLOUT	DESCRIPTION
1	COMPRESSED AIR INLET	7	ENCLOSURE ACCESS DOOR
2	COMPRESSED AIR OUTLET	8	ENCLOSURE LOCK
3	CONTROLLER DISPLAY	9	ENCLOSURE
4	COLUMN A PRESSURE GAUGE	10	EXHAUST SILENCER
5	COLUMN B PRESSURE GAUGE		

REVISIONS		
REV.	DESCRIPTION	DATE
C-00	INITIAL REVISION	22/11/2021
C-01	TABLE UPDATE	14/12/2022

NOTES:

SPECIFICATION

ISO 8573-1: 2001 QUALITY CLASSES
 CLASS 2: DIRT 1µ
 CLASS 2: WATER -40°C (-40°F) PDP

MINIMUM WORKING PRESSURE
 4 BARG (58 PSIG)

MAXIMUM WORKING PRESSURE
 10 BARG (145 PSIG)

POWER SUPPLY
 110-240V AC / 50-60 Hz

MINIMUM INLET TEMPERATURE
 +1.5°C (35°F)

MAXIMUM INLET TEMPERATURE
 50°C (122°F)

NOTE:
 -70°C (-94°F) PDP AVAILABLE ON REQUEST.

16 BARG (232 PSIG) AVAILABLE ON REQUEST

PRODUCT APPROVALS
 CANADIAN REGISTRATION NUMBER (CRN): OH22247.5C
 PRESSURE EQUIPMENT DIRECTIVE:
 DESIGN VERIFICATION:
 LLOYDS REGISTER - PRJ11092926 O-35143/SC
 PRESSURE VESSEL REFERENCE DRAWING: PD1007

GENERAL TOLERANCES UNLESS OTHERWISE STATED:
 X ± 0.5mm | X.X ± 0.25mm | X.XX ± 0.1mm
 ANGLES ± 0.5°

	DRAWN	CHECKED	APPROVED
NAME	IC	ME	ME
DATE	22-11-2022	22-11-2021	22-11-2021

nano-purification solutions limited www.n-psi.co.uk

© NANO-PURIFICATION SOLUTIONS LTD 2021. THE ORIGINAL OF THIS DRAWING IS COPYRIGHT AND CONTAINS CONFIDENTIAL INFORMATION. IT IS THE PROPERTY OF NANO-PURIFICATION SOLUTIONS LTD. WITHOUT EXPRESS PERMISSION, IT MAY NOT BE COPIED, SHOWN OR MANAGED TO A THIRD PARTY OR OTHERWISE USED AND IT IS TO BE RETURNED PROMPTLY UPON REQUEST TO NANO-PURIFICATION SOLUTIONS LTD.

MATERIAL: SEE DETAILS WEIGHT (KG): SEE TABLE

FINISH: SEE DETAILS

TITLE: SERIES 3 - DESICCANT DRYER

DWG NO. PD-0111 REVISION: C-02
 nano model ref: (NEW) SERIES 3 DRYER
 SCALE - 1:10 SHEET 1 of 1 SHEET SIZE A2
 DO NOT SCALE DRAWING