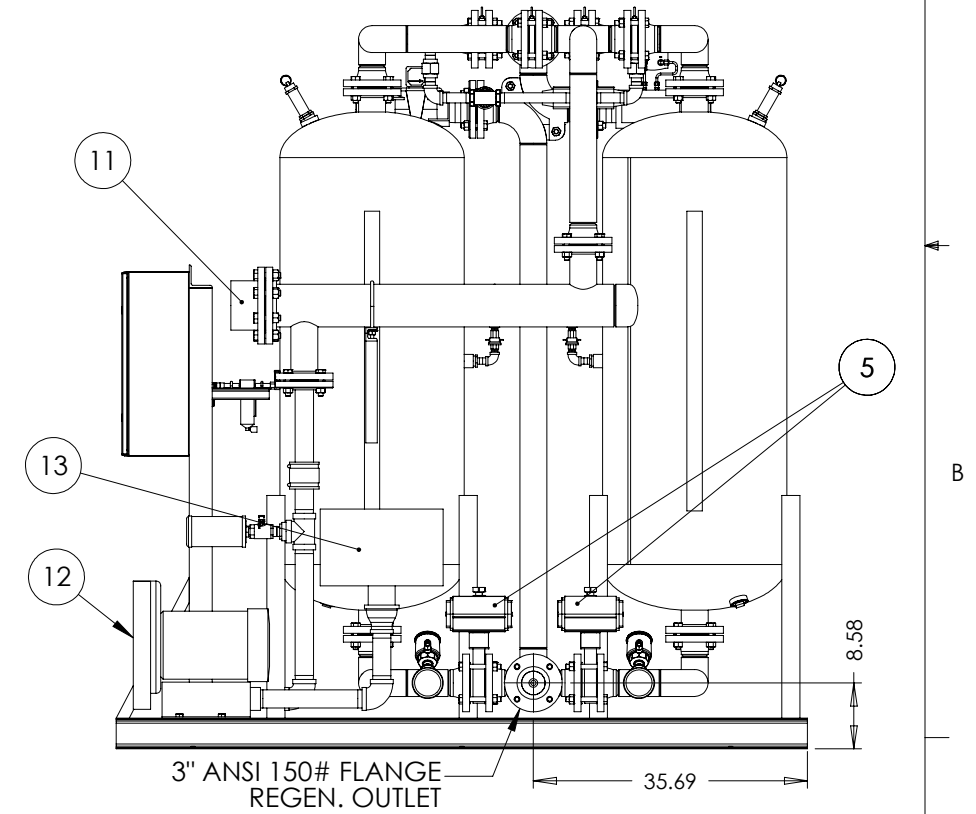
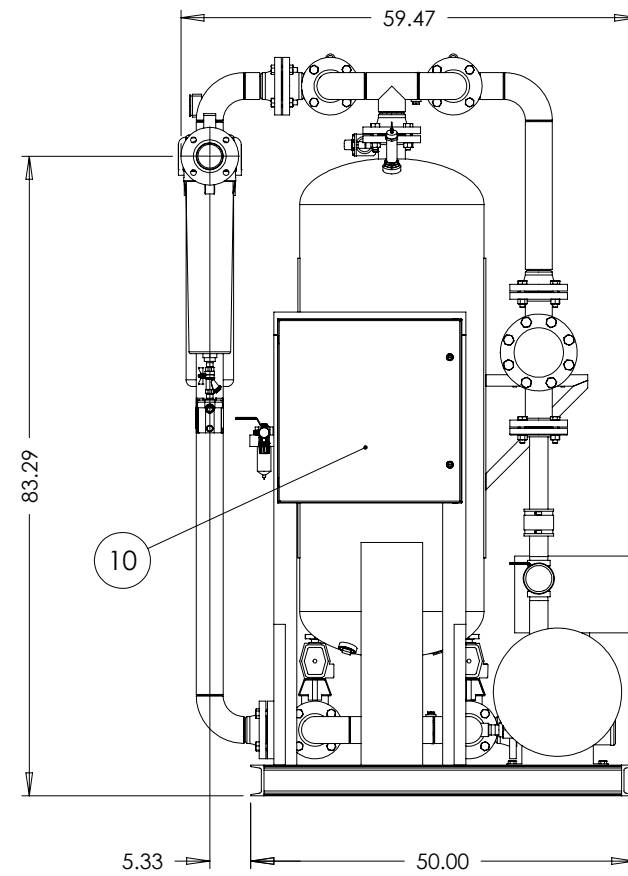
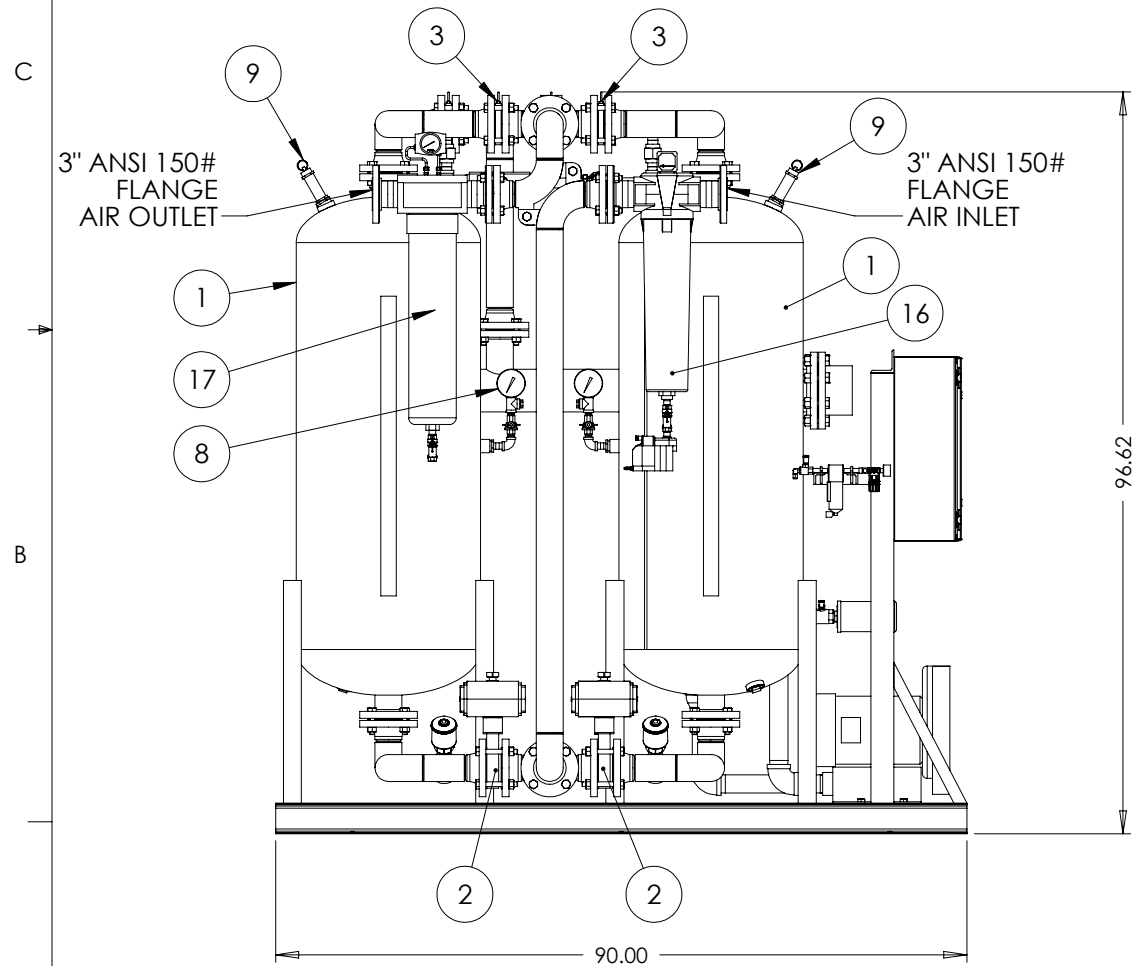



ITEM NO	QTY	DESCRIPTION
1	2	DESICCANT VESSEL
2	2	INLET BUTTERFLY VALVE
3	2	OUTLET CHECK VALVE
4	2	HEATER OUTLET CHECK VALVE
5	2	PURGE EXHAUST VALVE
6	2	DEPRESSURIZATION VALVE
7	2	DEPRESSURIZATION MUFFLER
8	2	PRESSURE GAUGE
9	2	PRESSURE RELIEF VALVE
10	1	ELECTRICAL ENCLOSURE
11	1	HEATER
12	1	REGENERATIVE BLOWER
13	1	AIR INTAKE FILTER
14	1	REPRESSURIZATION BALL VALVE
15	1	REPRESSURIZATION GLOBE VALVE
16	1	PRE-FILTER
17	1	AFTER-FILTER



UNLESS OTHERWISE SPECIFIED:		NAME	DATE
DIMENSIONS ARE IN INCHES		DRAWN	BH 03/25/19
TOLERANCES:		CHECKED	MS 03/25/19
FRACTIONAL ± 0.125		ENG APPR.	
ANGULAR: ± 0.5°		MFG APPR.	
TWO PLACE DECIMAL ± .03		Q.A.	
THREE PLACE DECIMAL ± .003		COMMENTS:	
THIRD ANGLE PROJECTION		PKG "B"	
MATERIAL		SIZE	DWG. NO.
FINISH		B	AG9984040-B
DO NOT SCALE DRAWING		SCALE: 1:50	WEIGHT:

 nano-purification solutions - TN 323 crisp circle maryville, tn 37801 P: (865) 681-7066		REV
TITLE:		3
DRYER, DESICCANT, ABP-1000, PKG B ASSY, 1 PRE & AFTER FILTER, 150 PSIG, 100F, T-24, REV 3		
SHEET 1 OF 1		

INSULATION NOT SHOWN

PROPRIETARY AND CONFIDENTIAL
 THE INFORMATION CONTAINED IN THIS DRAWING IS THE SOLE PROPERTY OF
 NANO PURIFICATION SOLUTIONS ANY REPRODUCTION IN PART OR AS A WHOLE
 WITHOUT THE WRITTEN PERMISSION OF NANO PURIFICATION SOLUTIONS IS
 PROHIBITED.