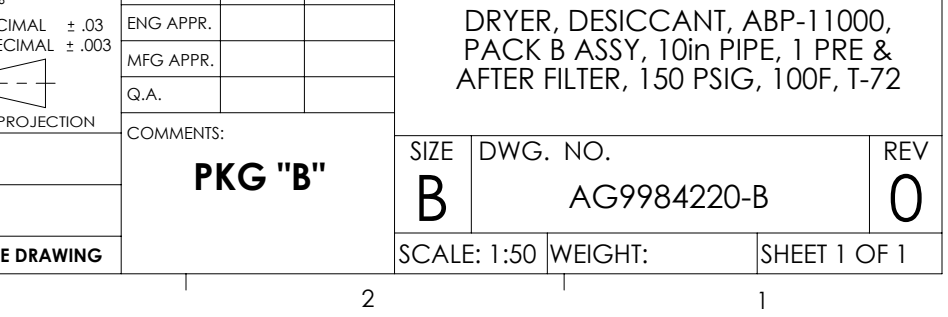
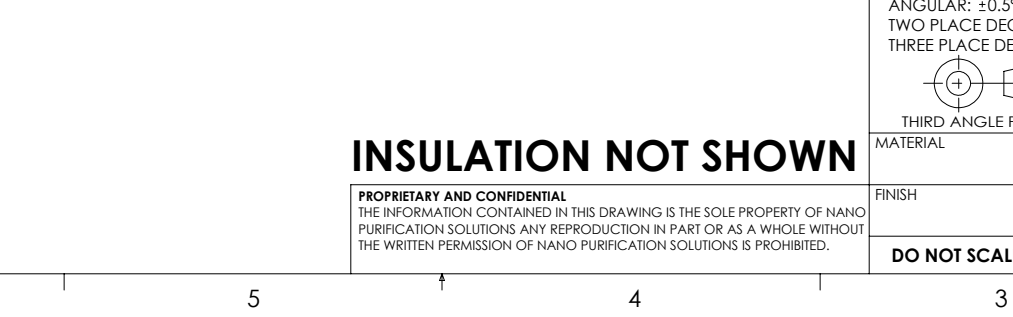
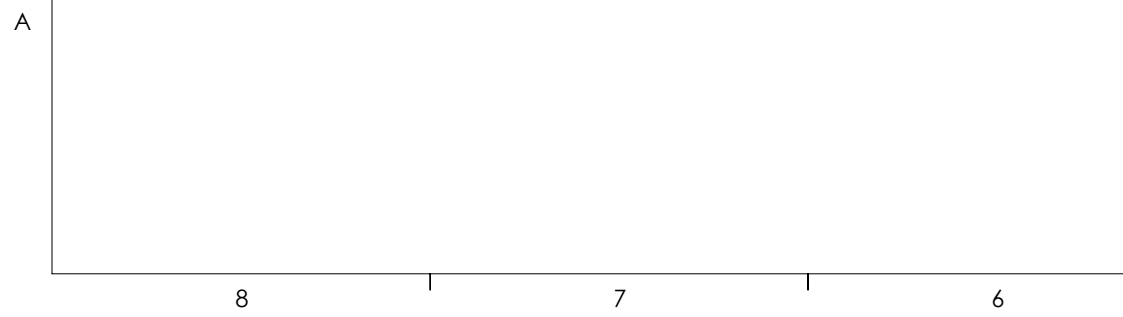


| ITEM NO | QTY | DESCRIPTION |
|---------|-----|------------------------------|
| 1 | 2 | DESICCANT VESSEL |
| 2 | 2 | INLET BUTTERFLY VALVE |
| 3 | 2 | OUTLET CHECK VALVE |
| 4 | 2 | HEATER OUTLET CHECK VALVE |
| 5 | 2 | PURGE EXHAUST VALVE |
| 6 | 2 | DEPRESSURIZATION VALVE |
| 7 | 2 | DEPRESSURIZATION MUFFLER |
| 8 | 2 | PRESSURE GAUGE |
| 9 | 2 | PRESSURE RELIEF VALVE |
| 10 | 1 | ELECTRICAL ENCLOSURE |
| 11 | 1 | HEATER |
| 12 | 1 | REGENERATIVE BLOWER |
| 13 | 1 | AIR INTAKE FILTER |
| 14 | 1 | REPRESSURIZATION BALL VALVE |
| 15 | 1 | REPRESSURIZATION GLOBE VALVE |
| 16 | 1 | PRE-FILTER |
| 17 | 1 | AFTER-FILTER |



INSULATION NOT SHOWN

PROPRIETARY AND CONFIDENTIAL
 THE INFORMATION CONTAINED IN THIS DRAWING IS THE SOLE PROPERTY OF NANO PURIFICATION SOLUTIONS ANY REPRODUCTION IN PART OR AS A WHOLE WITHOUT THE WRITTEN PERMISSION OF NANO PURIFICATION SOLUTIONS IS PROHIBITED.

| | |
|-----------------------------|--|
| UNLESS OTHERWISE SPECIFIED: | |
| DIMENSIONS ARE IN INCHES | |
| TOLERANCES: | |
| FRACTIONAL ± 0.125 | |
| ANGULAR: ± 0.5° | |
| TWO PLACE DECIMAL ± .03 | |
| THREE PLACE DECIMAL ± .003 | |
| THIRD ANGLE PROJECTION | |
| MATERIAL | |
| FINISH | |
| DO NOT SCALE DRAWING | |

| | |
|----------------|----------|
| NAME | DATE |
| BH | 01/25/19 |
| MS | 01/25/19 |
| ENG APPR. | |
| MFG APPR. | |
| Q.A. | |
| COMMENTS: | |
| PKG "B" | |

nano nano-purification solutions - TN
 323 crisp circle
 maryville, tn 37801
 P: (865) 681-7066

TITLE:
**DRYER, DESICCANT, ABP-11000,
 PACK B ASSY, 10in PIPE, 1 PRE &
 AFTER FILTER, 150 PSIG, 100F, T-72**

| | | |
|-------------|-------------|--------------|
| SIZE | DWG. NO. | REV |
| B | AG9984220-B | 0 |
| SCALE: 1:50 | WEIGHT: | SHEET 1 OF 1 |