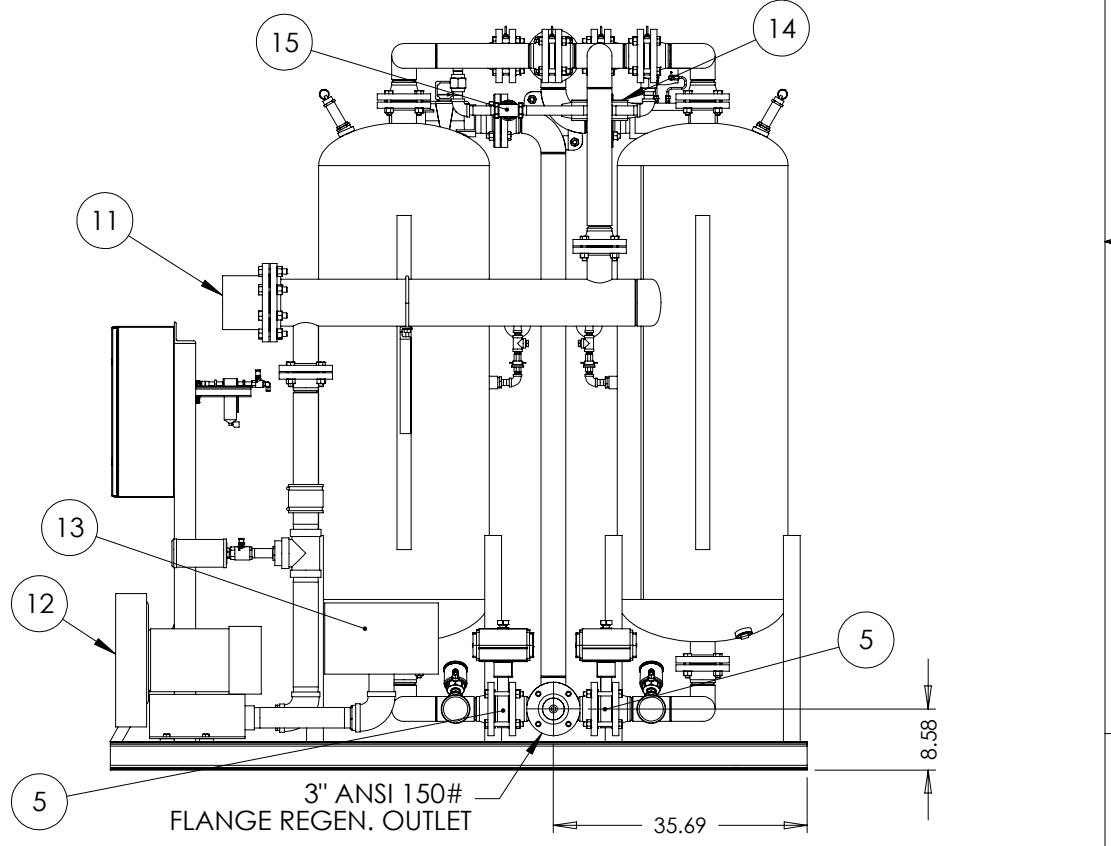
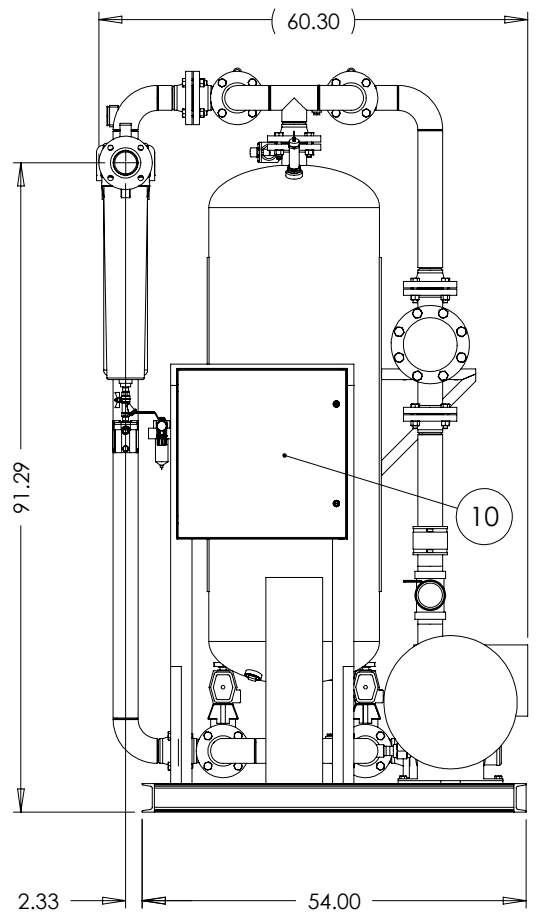
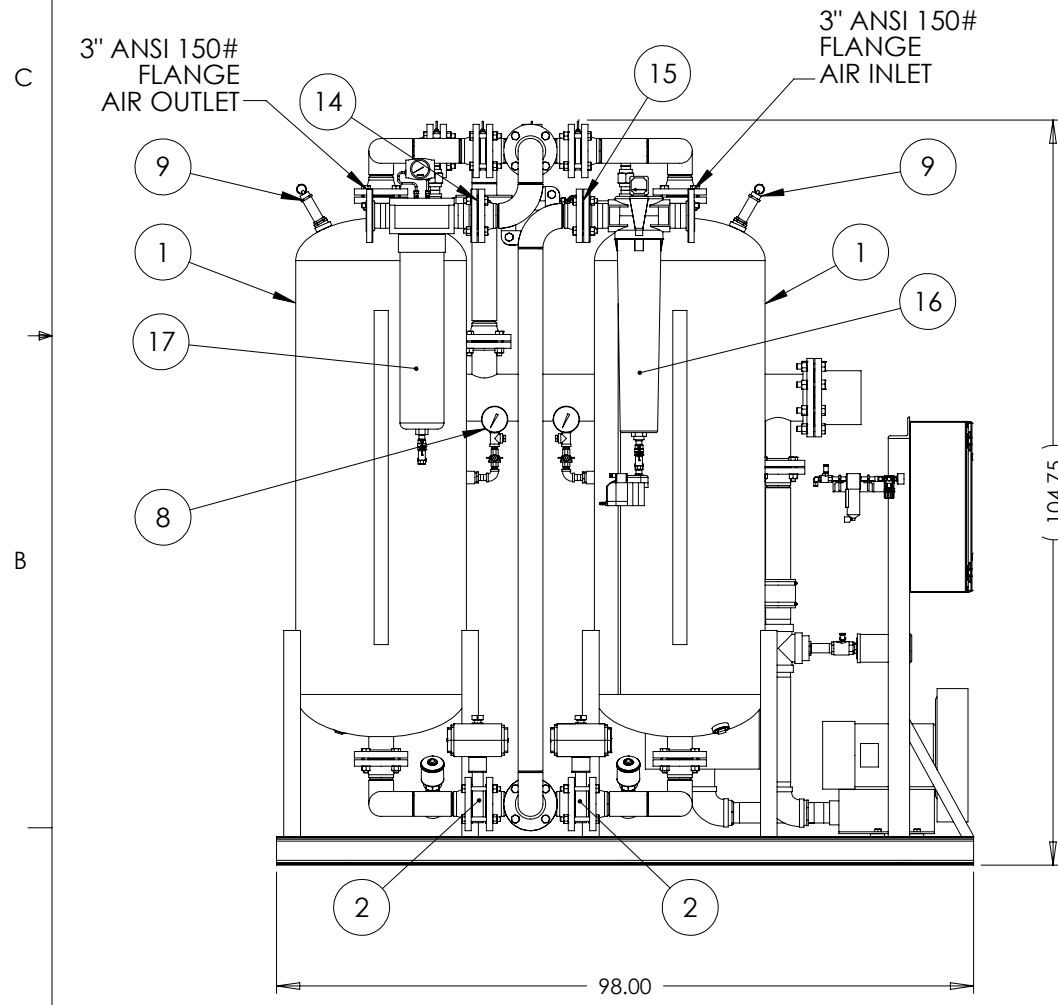


ITEM NO	QTY	DESCRIPTION
1	2	DESICCANT VESSEL
2	2	INLET BUTTERFLY VALVE
3	2	OUTLET CHECK VALVE
4	2	HEATER OUTLET CHECK VALVE
5	2	PURGE EXHAUST VALVE
6	2	DEPRESSURIZATION VALVE
7	2	DEPRESSURIZATION MUFFLER
8	2	PRESSURE GAUGE
9	2	PRESSURE RELIEF VALVE
10	1	ELECTRICAL ENCLOSURE
11	1	HEATER
12	1	REGENERATIVE BLOWER
13	1	AIR INTAKE FILTER
14	1	REPRESSURIZATION BALL VALVE
15	1	REPRESSURIZATION GLOBE VALVE
16	1	PRE-FILTER
17	1	AFTER-FILTER



INSULATION NOT SHOWN

PROPRIETARY AND CONFIDENTIAL
THE INFORMATION CONTAINED IN THIS DRAWING IS THE SOLE PROPERTY OF NANO PURIFICATION SOLUTIONS ANY REPRODUCTION IN PART OR AS A WHOLE WITHOUT THE WRITTEN PERMISSION OF NANO PURIFICATION SOLUTIONS IS PROHIBITED.

UNLESS OTHERWISE SPECIFIED:	
DIMENSIONS ARE IN INCHES	
TOLERANCES:	
FRACTIONAL ± 0.125	
ANGULAR: ± 0.5°	
TWO PLACE DECIMAL ± .03	
THREE PLACE DECIMAL ± .003	
THIRD ANGLE PROJECTION	
MATERIAL	
FINISH	
DO NOT SCALE DRAWING	

NAME	BH	DATE	03/25/19
CHECKED	MS	DATE	03/25/19
ENG APPR.			
MFG APPR.			
Q.A.			
COMMENTS:	PKG "B"		

nano nano-purification solutions - TN
323 crisp circle
maryville, tn 37801
P: (865) 681-7066

TITLE:
**DRYER, DESICCANT, ABP-1200,
PACK B ASSY, 3in PIPE, 1 PRE &
AFTER FILTER, 150 PSIG, 100F, T-24,
REV 3**

SIZE	DWG. NO.	REV
B	AG9984050-B	3
SCALE: 1:50	WEIGHT:	SHEET 1 OF 1