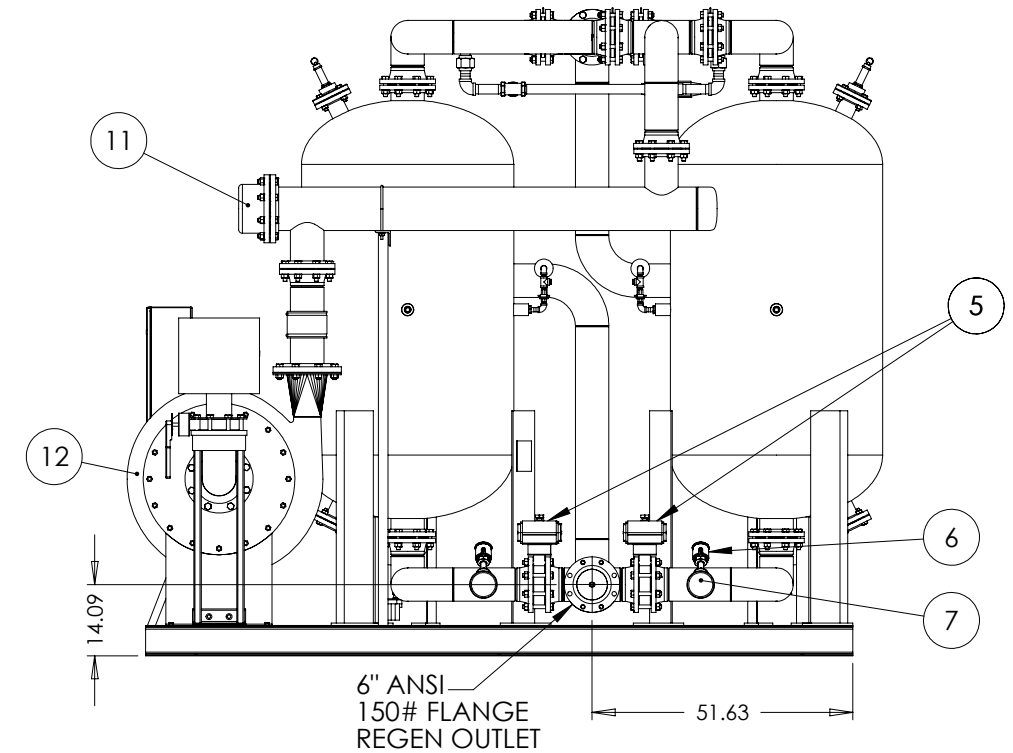
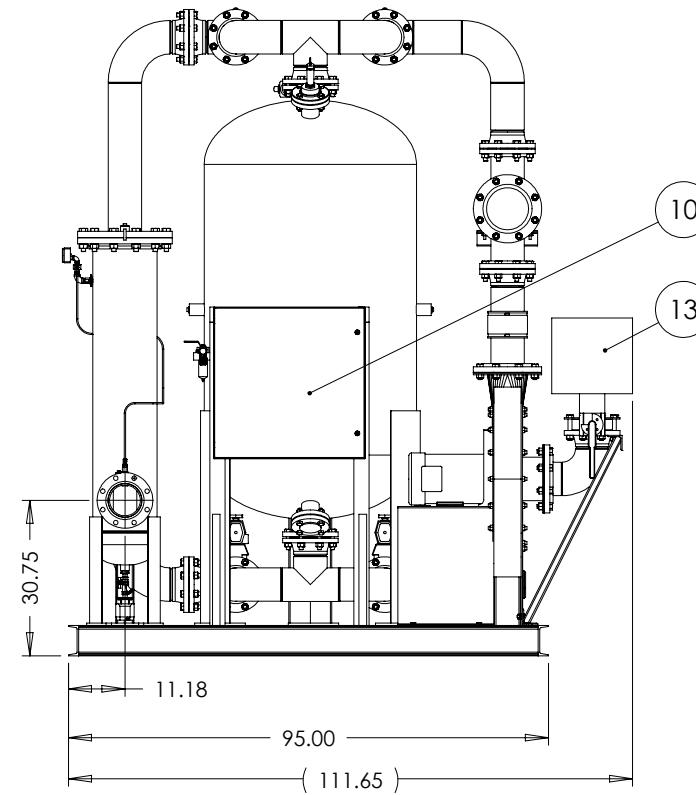
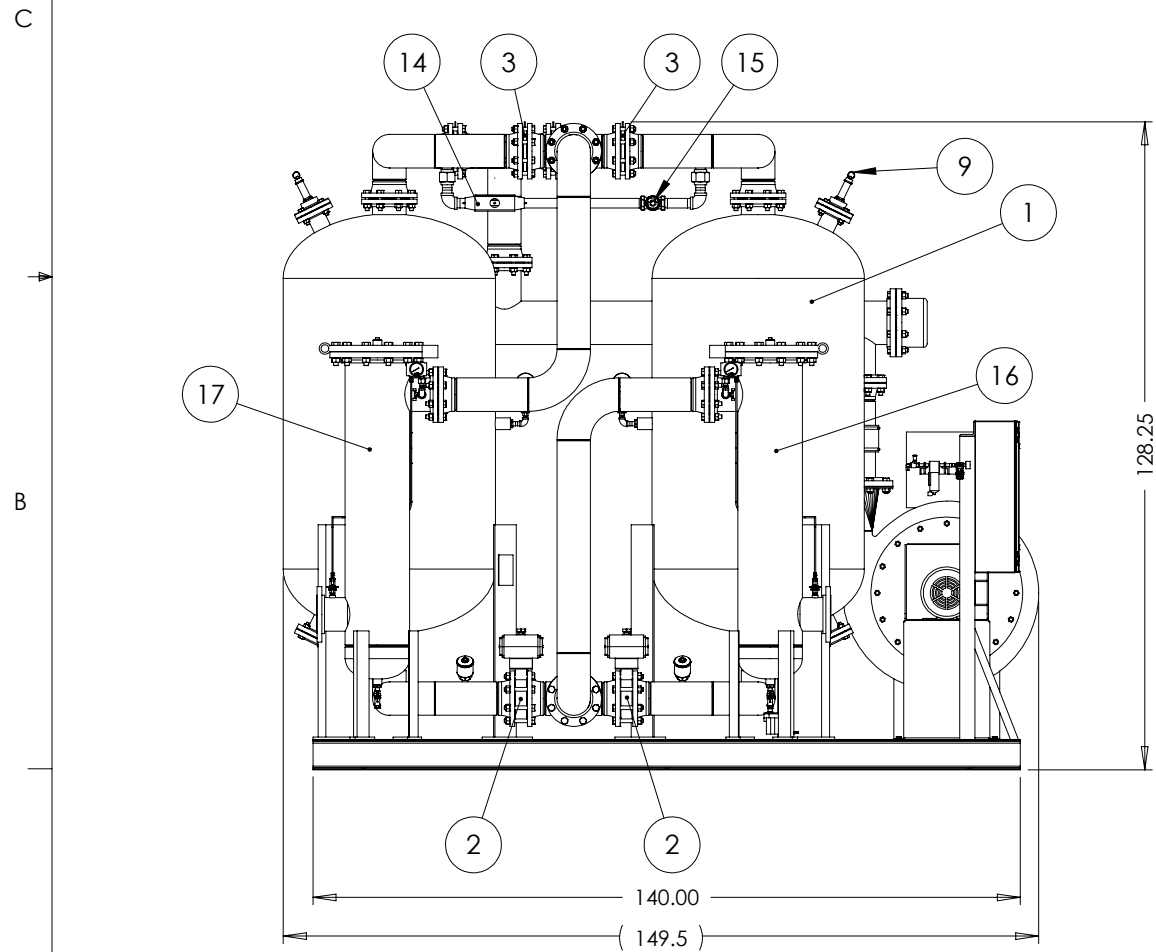


ITEM NO	QTY	DESCRIPTION
1	2	DESICCANT VESSEL
2	2	INLET BUTTERFLY VALVE
3	2	OUTLET CHECK VALVE
4	2	HEATER OUTLET CHECK VALVE
5	2	PURGE EXHAUST VALVE
6	2	DEPRESSURIZATION VALVE
7	2	DEPRESSURIZATION MUFFLER
8	2	PRESSURE GAUGE
9	2	PRESSURE RELIEF VALVE
10	1	ELECTRICAL ENCLOSURE
11	1	HEATER
12	1	REGENERATIVE BLOWER
13	1	AIR INTAKE FILTER
14	1	REPRESSURIZATION BALL VALVE
15	1	REPRESSURIZATION GLOBE VALVE
16	1	PRE-FILTER
17	1	AFTER-FILTER



**INSULATION NOT SHOWN**

PROPRIETARY AND CONFIDENTIAL  
THE INFORMATION CONTAINED IN THIS DRAWING IS THE SOLE PROPERTY OF NANO PURIFICATION SOLUTIONS ANY REPRODUCTION IN PART OR AS A WHOLE WITHOUT THE WRITTEN PERMISSION OF NANO PURIFICATION SOLUTIONS IS PROHIBITED.

UNLESS OTHERWISE SPECIFIED:	
DIMENSIONS ARE IN INCHES	
TOLERANCES:	
FRACTIONAL ± 0.125	
ANGULAR: ± 0.5°	
TWO PLACE DECIMAL ± .03	
THREE PLACE DECIMAL ± .003	
THIRD ANGLE PROJECTION	
MATERIAL	
FINISH	
DO NOT SCALE DRAWING	

NAME	BH	DATE	01/04/19
DRAWN	MS	CHECKED	01/04/19
ENG APPR.			
MFG APPR.			
Q.A.			
COMMENTS:			
<b>PKG "B"</b>			

**nano** nano-purification solutions - TN  
323 crisp circle  
maryville, tn 37801  
P: (865) 681-7066

TITLE:  
**DRYER, DESICCANT, ABP-4000,  
PKG B ASSY, 6in PIPE, 1 PRE &  
AFTER FILTER, 150 PSIG, 100F, T-42**

SIZE	DWG. NO.	REV
<b>B</b>	AG9984120-B	<b>1</b>
SCALE: 1:50	WEIGHT:	SHEET 1 OF 13